

## Tahoe 8621

Cavium-Based Desktop Networking Appliance

Product Brief

### OVERVIEW

Interface Masters Technologies presents Tahoe 8621, a highly flexible and expandable 1U networking appliance with the lowest OPEX. Tahoe 8621 is based on Cavium 64 bit MIPS processors. It supports CN61xx and CN62xx family of processors. It features low power consumption, a small form factor, eight 1GE SFP ports, an SD card, and two USB host ports. Customization services are offered. Interface Masters technologies provide support for the Cavium SDK on multiple Linux distributions. Additional software and firmware enables rapid application development. Interface Masters offers Level 1 and 2 support as well as software application development capabilities.

Target Applications include Access Points, Network Security Appliances such as UTM (Unified Threat Management), IDS (Intrusion Detection Systems), IPS (Intrusion Prevention System), DLP (Data Loss Prevention) & CMS (Content Management Systems), Networking Offload assist, SSL/IPSec offload processing, WAN optimization, Application Delivery Controllers and custom networking appliances.



### PRODUCT FEATURES

#### CPU

- Cavium Octeon II CN6120 (2 Core at 600 / 800 / 1,000 / 1,200 MHz)
- Cavium Octeon II CN6130 (4 Core at 600 / 800 / 1,000 / 1,200 MHz)
- Cavium Octeon II CN6220 (2 Core at 800 / 1,000 MHz)
- Cavium Octeon II CN6230 (4 Core at 800 / 1,000 MHz)

#### DRAM

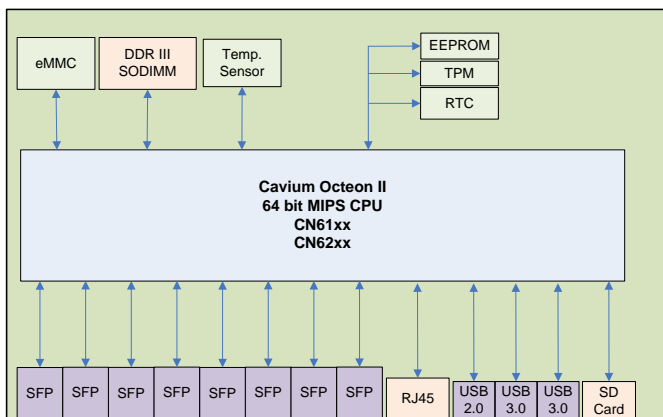
- 72 bit with ECC, up to 16GB DDR III, one SODIMM

#### None Volatile Memory

- SPI NOR EEPROM
- eMMC
- Micro SD

#### I/O Interfaces

- 8 x 1GE SFP ports
- 1 x 10/100/1000 management port
- 1 x RS232 console port
- 1X USB 2.0
- 2X USB 3.0



Block Diagram of Tahoe 8621

## Functions

- Real time clock
- Temperature sensor
- Optional TPM

## Power Supplies

- Two external redundant power bricks

## Operating System

- Cavium SDK

## SUPPORTED CPUs

- Cavium Octeon II CN6860  
(16 Core at 800 / 1,000 / 1,200 / 1,500 MHz)
- Cavium Octeon II CN6870  
(24 Core at 800 / 1,000 / 1,200 / 1,500 MHz)
- Cavium Octeon II CN6880  
(32 Core at 800 / 1,000 / 1,200 / 1,500 MHz)

ENVIRONMENTAL		
Temperature	Operating	0° to 40 °C
	Storage	-40° to +85° C
Humidity	Operating	10 to 90% relative humidity non-condensing
	Storage	5 to 95% relative humidity non-condensing

DIMENSIONS		
	Inches	Millimeter
Length	10.00	254
Height	1.73	44
Width	7.50	190

OPTIONAL ACCESSORIES	
Standard	
Tahoe8621-ACS02	19" rack mounting tray
Tahoe8621-ACS01	Mounting ear

ORDERING INFORMATION	
Part Number	Description
Tahoe8621-CN6120-600	Tahoe8621 with Octeon II CN6120 at 600 MHz
Tahoe8621-CN6120-800	Tahoe8621 with Octeon II CN6120 at 800 MHz
Tahoe8621-CN6120-1000	Tahoe8621 with Octeon II CN6120 at 1000 MHz
Tahoe8621-CN6120-1200	Tahoe8621 with Octeon II CN6120 at 1200 MHz
Tahoe8621-CN6130-600	Tahoe8621 with Octeon II CN6130 at 600 MHz
Tahoe8621-CN6130-800	Tahoe8621 with Octeon II CN6130 at 800 MHz
Tahoe8621-CN6130-1000	Tahoe8621 with Octeon II CN6130 at 1000 MHz
Tahoe8621-CN6130-1200	Tahoe8621 with Octeon II CN6130 at 1200 MHz
Tahoe8621-CN6220-800	Tahoe8621 with Octeon II CN6220 at 800 MHz
Tahoe8621-CN6220-1000	Tahoe8621 with Octeon II CN6220 at 1000 MHz
Tahoe8621-CN6230-800	Tahoe8621 with Octeon II CN6230 at 800 MHz
Tahoe8621-CN6230-1000	Tahoe8621 with Octeon II CN6230 at 1000 MHz

## CUSTOMIZATION SERVICES

Hardware, Firmware, Linux O/S and application code development services are available.



## ABOUT INTERFACE MASTERS TECHNOLOGIES, INC.

Interface Masters Technologies is a long term Cavium partner and leading provider of high speed networking solutions focused on Gigabit, 10 Gigabit, 40 Gigabit and 100 Gigabit Ethernet networking solutions. For over 20 years, Interface Masters Technologies has been providing innovative networking solutions with customization services to OEMs, large enterprises and sophisticated end users. Interface Masters Technologies provides Ethernet switches, appliances, server adapter cards with high port density, networking offload and bypass functionality. Company headquarters are located in San Jose, CA with satellite offices in Hong Kong and Europe.

Address: 150 East Brokaw Rd., San Jose, CA 95112  
Phone: 408-441-9341  
Fax: 815-364-0888  
Email: [sales@interfacemasters.com](mailto:sales@interfacemasters.com)  
Web: [www.interfacemasters.com](http://www.interfacemasters.com)

Copyright © 2016 Interface Masters Technologies, Inc.  
Product specifications subject to change without notice  
Rev B

**Interface Masters**  
TECHNOLOGIES  
Innovative Network Solutions