

Tahoe 8822

Cavium-ARM Based Desktop Networking Appliance

Product Brief

OVERVIEW

Interface Masters Technologies presents Tahoe 8822, a highly flexible and expandable 1U networking appliance with the lowest OPEX. Tahoe 8822 is based on Cavium 64 bit ARMv8 technology. It supports CN82xx family of processors. It features low power consumption, a small form factor, twelve 11/10 GE SFP+ ports, an SD card, and two USB 3.0 host ports. Customization services are offered.

Interface Masters Technologies provide support for the Cavium SDK on multiple Linux distributions. Additional software and firmware enables rapid application development. Interface Masters offers Level 1 and 2 support as well as software application development capabilities.

Target applications include:

- Network Security Appliances such as UTM (Unified Threat Management),
- IDS (Intrusion Detection Systems),
- IPS (intrusion Prevention System),
- DLP (Data Loss Prevention) and
- CMS (Content Management Systems),
- Networking Offload assist,
- SSL/IPSec offload processing,
- WAN optimization,
- Application Delivery Controllers and custom networking appliances



PRODUCT FEATURES

CPU

- Cavium OCTEON TX II CN8240 (2 Core at 600 / 800 / 1,000 / 1,200 MHz)
- Cavium OCTEON TX II CN8250 (4 Core at 600 / 800 / 1,000 / 1,200 MHz)

DRAM

- 1x 72 bit DDR 4 with ECC

None Volatile Memory

- SPI NOR EEPROM
- eMMC
- Micro SD

I/O Interfaces

- 12 x 1/10GE SFP+ ports
- 1 x 10/100/1000 management port
- 1 x RS232 console port
- 2X USB 3.0
- 1X SATA 3.0

Functions

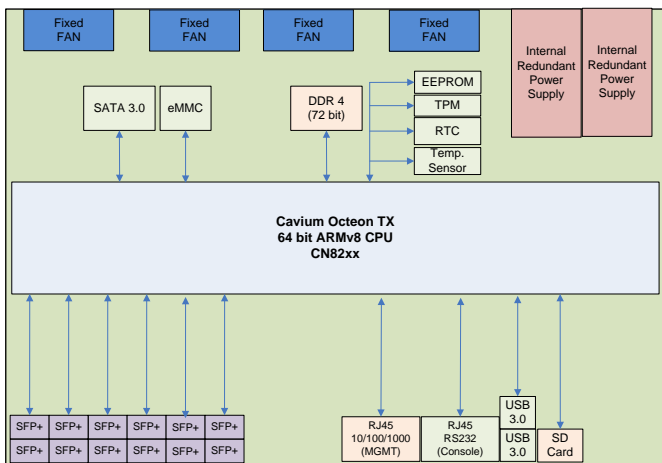
- Real time clock
- Temperature sensor
- Optional TPM

Power Supplies

- Two internal redundant power supplies

Operating System

- Cavium SDK



Block Diagram of Tahoe 8822

ENVIRONMENTAL		
Temperature	Operating	0° to 40 °C
	Storage	-40° to +85° C
Humidity	Operating	10 to 90% relative humidity non-condensing
	Storage	5 to 95% relative humidity non-condensing

DIMENSIONS		
	Inches	Millimeter
Length	10.00	254
Height	1.73	44
Width	7.50	190

STANDARD ACCESSORIES	
Tahoe8822-ACS01	Mounting ear

OPTIONAL ACCESSORIES	
Tahoe8822-ACS02	19" Rack mounting tray

ORDERING INFORMATION	
Part Number	Description
Tahoe8822-CN8240-600	Tahoe8822 with OCTEON TX II CN8240 at 600 MHz
Tahoe8822-CN8240-800	Tahoe8822 with OCTEON TX II CN8240 at 800 MHz
Tahoe8822-CN8240-1000	Tahoe8822 with OCTEON TX II CN8240 at 1000 MHz
Tahoe8822-CN8240-1200	Tahoe8822 with OCTEON TX II CN8240 at 1200 MHz
Tahoe8822-CN8250-600	Tahoe8822 with OCTEON TX II CN8250 at 600 MHz
Tahoe8822-CN8250-800	Tahoe8822 with OCTEON TX II CN8250 at 800 MHz
Tahoe8822-CN8250-1000	Tahoe8822 with OCTEON TX II CN8250 at 1000 MHz
Tahoe8822-CN8250-1200	Tahoe8822 with OCTEON TX II CN8250 at 1200 MHz

CUSTOMIZATION SERVICES

Hardware, Firmware, Linux O/S and application code development services are available.



ABOUT INTERFACE MASTERS TECHNOLOGIES, INC.

Interface Masters Technologies is a long term Cavium partner and leading provider of high speed networking solutions focused on Gigabit, 10 Gigabit, 40 Gigabit and 100 Gigabit Ethernet networking solutions. For over 20 years, Interface Masters Technologies has been providing innovative networking solutions with customization services to OEMs, large enterprises and sophisticated end users. Interface Masters Technologies provides Ethernet switches, appliances, server adapter cards with high port density, networking offload and bypass functionality. Company headquarters are located in San Jose, CA with satellite offices in Hong Kong and Europe.

Address: 150 East Brokaw Rd., San Jose, CA 95112
 Phone: 408-441-9341
 Fax: 815-364-0888
 Email: sales@interfacemasters.com
 Web: www.interfacemasters.com

Copyright © 2017 Interface Masters Technologies, Inc.
 Product specifications subject to change without notice
 Rev A

Interface Masters
 TECHNOLOGIES
 Innovative Network Solutions