



Specifications and Information Sheet

Intermountain Electronics Ground Fault Relay

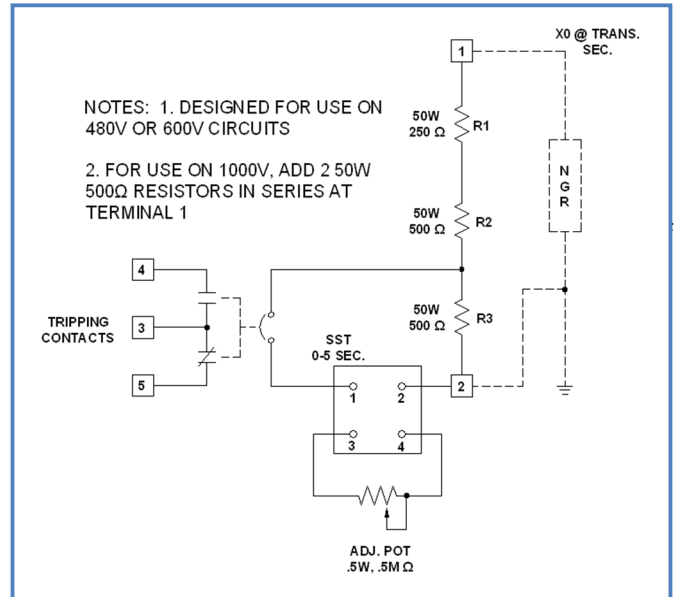
P/N 5100-GF-4

The 5100-GF-4 Ground Fault Relay is designed to trip at less than 6 amps ground fault through a current transformer; a breaker is used for tripping and indication purposes.

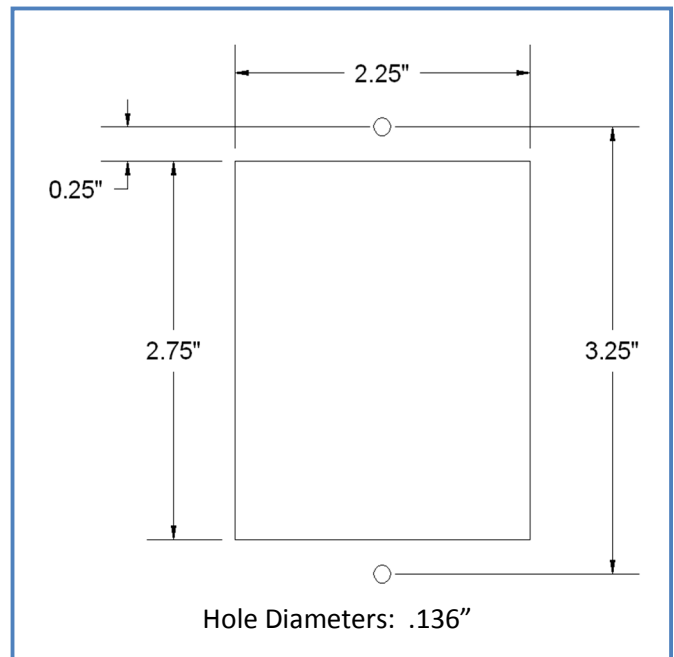
The breaker, once tripped is in the tripped position. In order to reset the relay it must be manually returned to its normal state. The relay is designed for use with shunt trip breakers on circuits that do not exceed 25 amps ground fault current, or 120 VAC undervoltage.

Features

- Trip indication
- Must be manually reset
- Button for testing purposes
- Trips at less than 6 amps



Electrical Schematic



Panel Cutout