



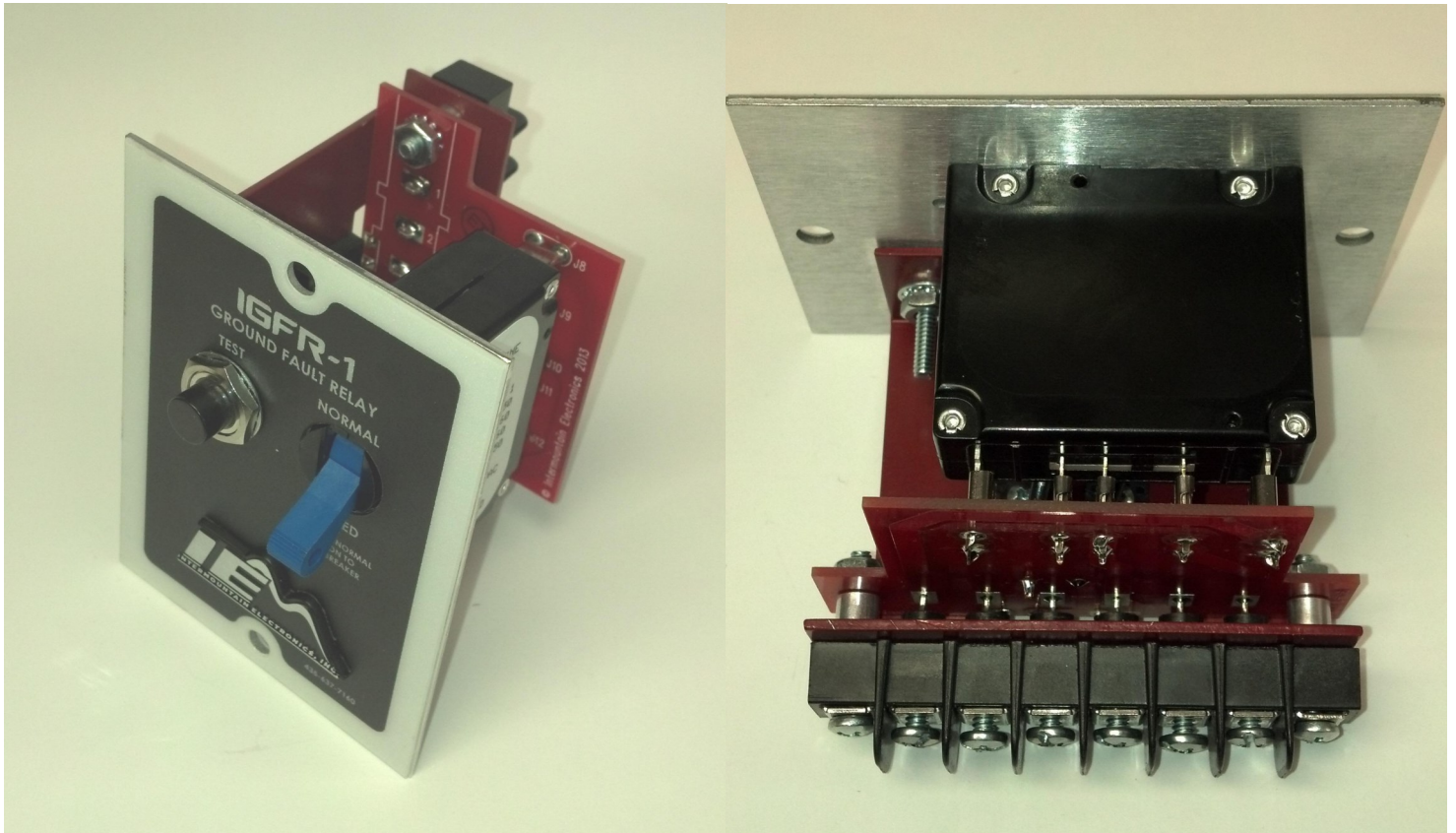
www.intermountainelectronics.com

Phone: (877) 544-2291

IGFR-1

Ground Fault Relay

Part Number: 1100-0101



IGFR-1 Ground Fault Relay

The IGFR-1 Ground Fault Relay (GFR) detects zero-sequence ground fault currents, and it is designed to trip at 6 amps or less, using IE Current Transformers (Part numbers: 1100-0001 for 2" ID, 1100-0002 for 3" ID).

A circuit breaker on the IGFR-1 trips when a ground fault above the threshold is detected. The circuit breaker is used as an indicator, and it also provides NO and NC auxiliary contacts for use with under-voltage or shunt trip breakers.

Once tripped, the circuit breaker remains in the tripped position until manually reset.

The IGFR-1 features a test button to verify proper operation of both the circuit breaker and the current transformer.

A 120VAC supply voltage is required.

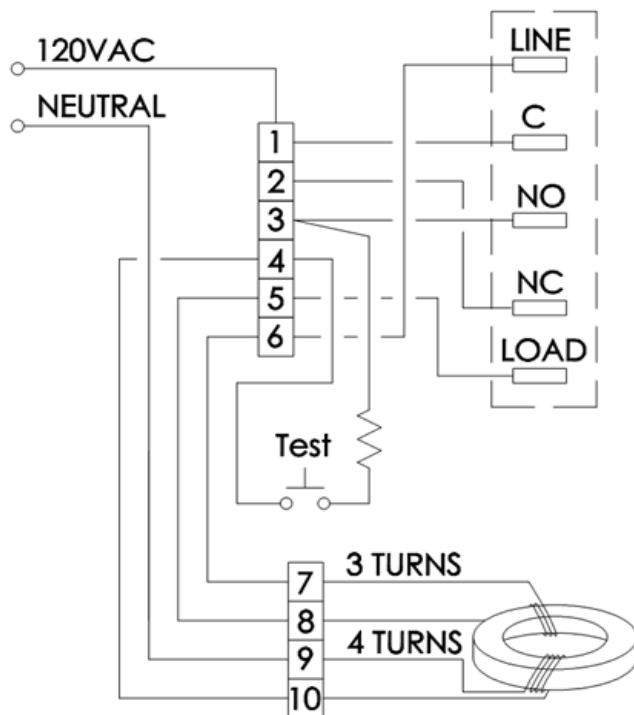
Features:

- Circuit Breaker trip Indication
- Manual reset
- Test button to verify circuit breaker & current transformer
- Under-voltage and shunt-trip operation
- Trips at 6A or less

Specifications:

- Trip contacts (NC, NO): 3A/120VAC
- Input voltage: 120VAC
- Use with IE current transformers:
 - P/N 1100-0001 (2" inside diameter)
 - P/N 1100-0002 (3" inside diameter)
- For use in systems with ground currents limited to 25A maximum (when using IE CTs above).

Connection Diagram:



Mechanical Characteristics and Panel Cutout:

