



www.intermountainelectronics.com
Email: iecomponents@ie-corp.com
Phone: (877) 544-2291 / (435) 637 7160

LLI-1

3-Phase Voltage Monitor

P/N 1100-9570



LLI-1 3-Phase Voltage Monitor

LLI-1 is a simple, inexpensive 3-phase voltage monitor. Lamps for each phase on the front panel flash when voltages are present. The flash rate increases with higher voltages and vice versa.

Electrical connections are provided for each bus and ground. The LL-1 is powered from the bus being monitored, so no additional connections are needed.

Features & Specifications:

- Inexpensive, simple way to add “voltage present” monitor to a 3-phase bus.
- Simple to install and use. No controls or calibration required.
- Small size. Requires only 3.25” x 3.5” panel space.
- Independent indicator lamps for each phase. Lamps flash when phase is energized.
- Frequency of lamp flashes increase with higher voltages, and vice versa.
- Independently monitors phase-to-ground voltages on each phase.
- Powered from the bus being monitored - No power supply needed.
- Simple operation: No calibration required, no operator controls.
- Monitoring voltage: 120VAC - 600VAC (Phase - GND)



Ordering Information:

<u>Part Number</u>	<u>Voltage Range</u>
1100-9570	LLI-1 3-Phase Voltage Monitor



The LLI-1 is not intended to be used as a sole indication that there is no voltage present. Make certain that power is removed using a separate visual disconnect switch (or equivalent) prior to performing tasks that may result in exposure to dangerous voltages.

Front and Rear Panels

Front Panel:



Phase Indicator Lamps:

Flash faster at higher voltages, slower at lower voltages.

Phase & Ground Wires:

Connect green wire to ground, other 3 wires to phases.

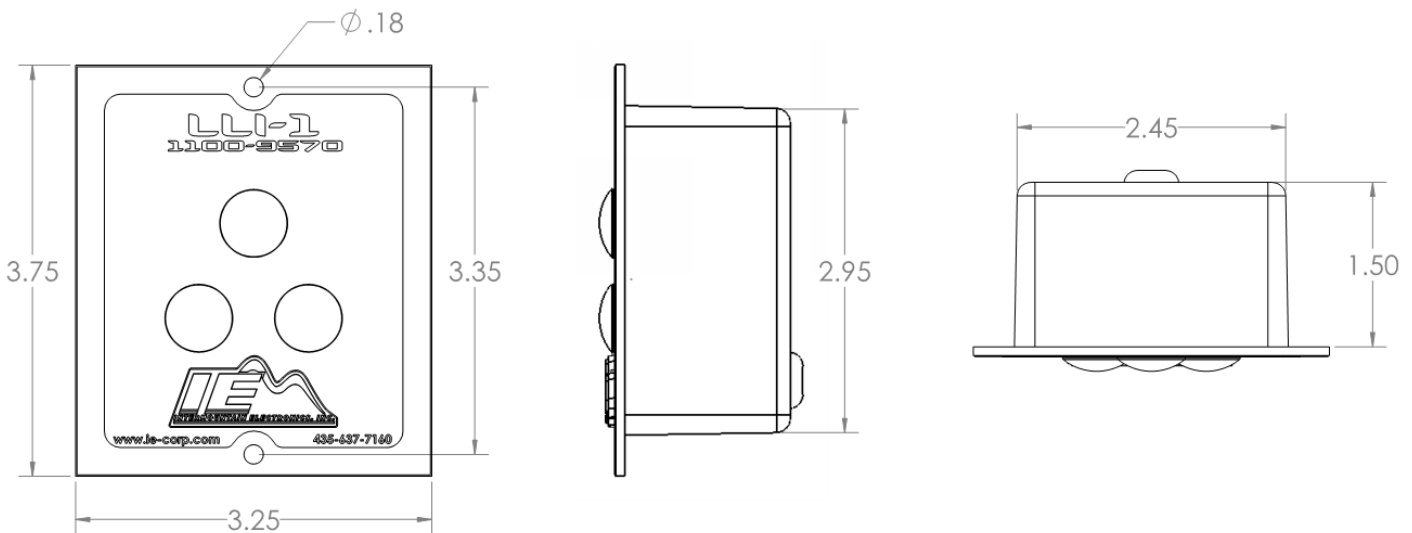
Mounting Screws:

#8 screws recommended.

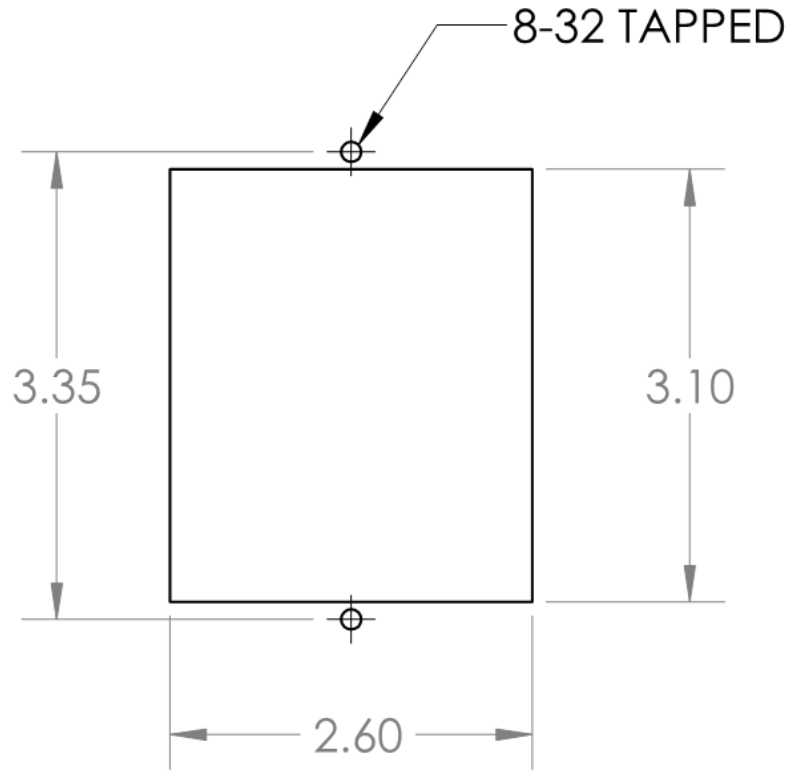
Rear Panel:



Mechanical Characteristics



Panel Cutout



The LLI-1 is not intended to be used as a sole indication that there is no voltage present. Make certain that power is removed using a separate visual disconnect switch (or equivalent) prior to performing tasks that may result in exposure to dangerous voltages.

Important Notice

This document contains information intended to aid in the proper installation and operation of the product described. Although this information will prove useful to the properly trained and qualified user, it is not practical to cover every possible situation, installation contingency, or other detail.

It is imperative that proper engineering and techniques are adhered to in the installation, operation, and maintenance of this product. It is the responsibility of the user to ensure that any system utilizing this product is safe, and that all personnel involved with the selection, installation, maintenance, and use of this product are properly qualified. This product must not be used in situations where its ratings are exceeded.

While every effort has been made to make sure the information in this document is accurate, IE cannot guarantee that there are no errors. Users of this product should verify any aspects of the product's design or performance that are critical to their application, and in particular, any aspects that may affect the safety of the overall system or installation.

Product design and specifications may change without notice.