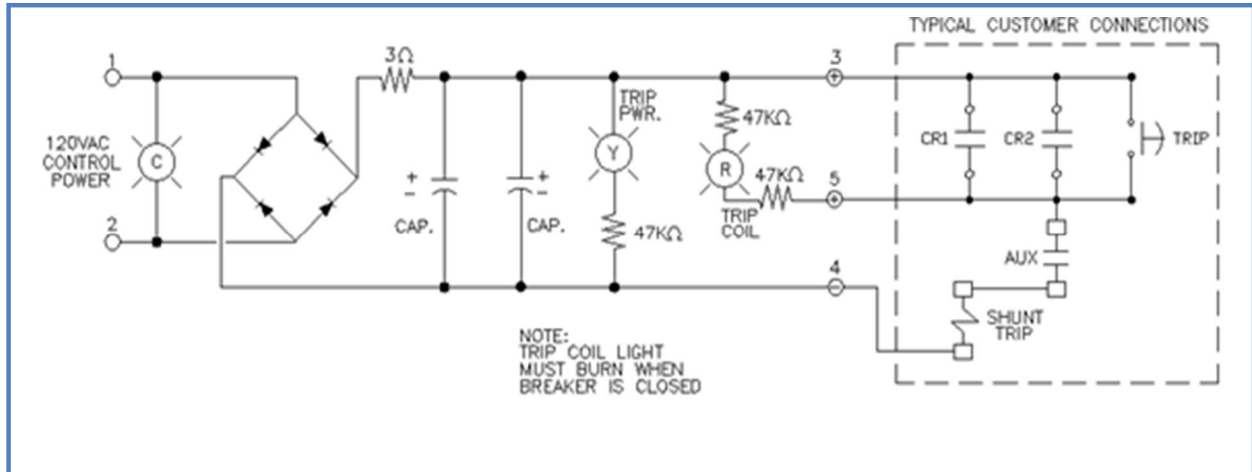




# Specifications and Information Sheet

## Intermountain Electronics Capacitive Trip Device

P/N 518432-1A

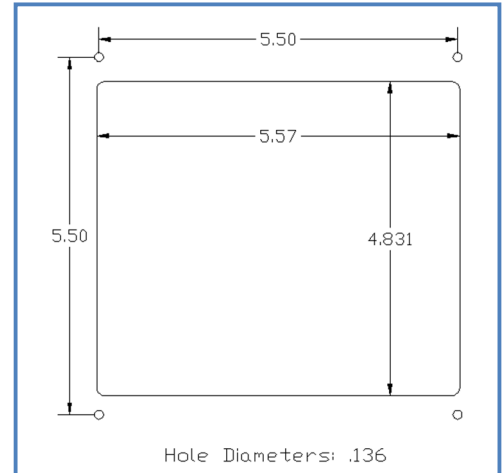


This capacitor trip relay is designed for 120 VAC input. It is used to energize a shunt trip when the trip contacts are closed across terminals 3 and 4. When the capacitors are fully charged the trip power indicating light will illuminate.

**Input Voltage:** 120 VAC

**Trip Contacts:** 10 Amps at 240 VAC Resistive

**Output Voltage:** 175 VDC



Panel Cutout