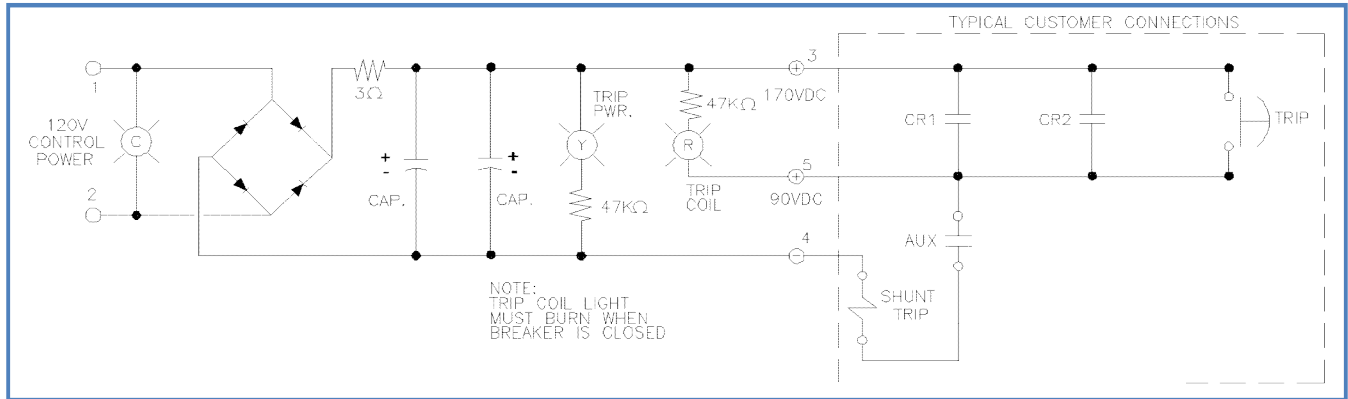




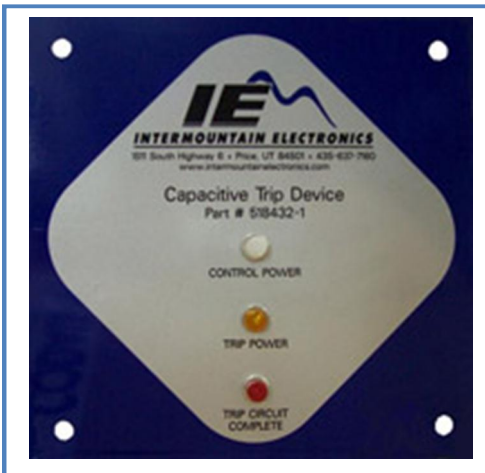
Specifications and Information Sheet

Intermountain Electronics Capacitive Trip Device

P/N 518432-1



Electrical Schematic

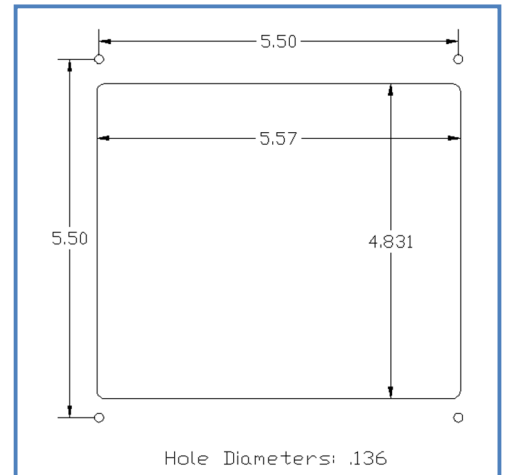


The capacitor trip relay is designed for 120 VAC input. It is used to energize a shunt trip when the trip contacts are closed across terminals 3 and 4. When the capacitors are fully charged the trip power indicating light will illuminate.

Input Voltage: 120 VAC

Trip Contacts: 10 Amps at 240 VAC Resistive

Output Voltage: 175 VDC



Panel Cutout