

Solderless Capacitor Mount The Interplex CAP-LOC™ System

(Patent Pending)

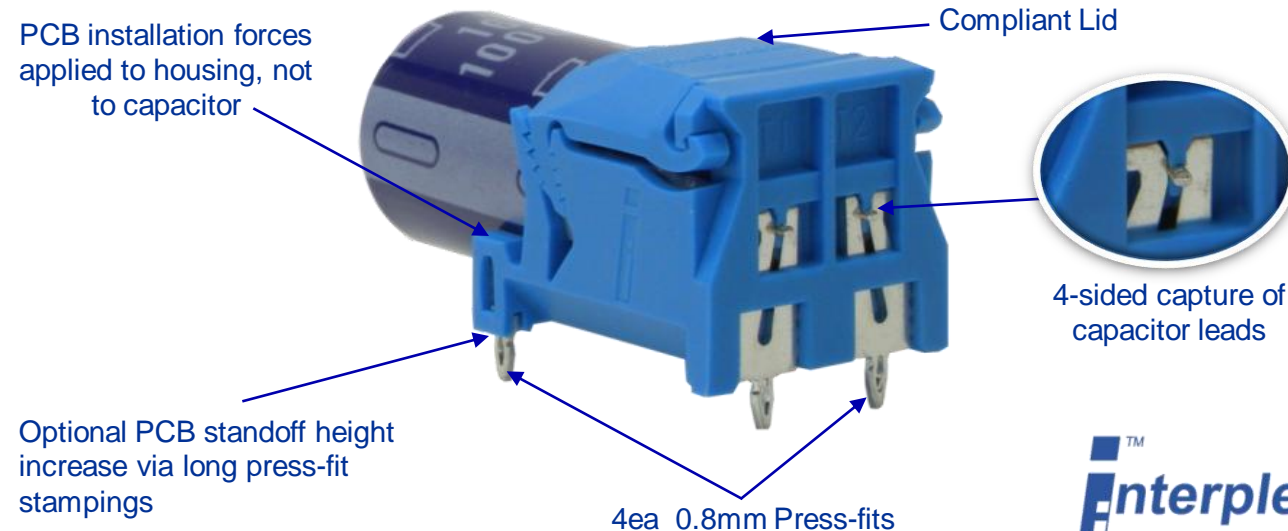
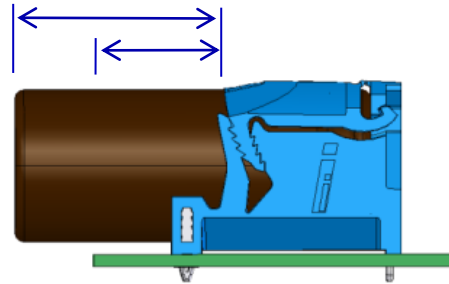
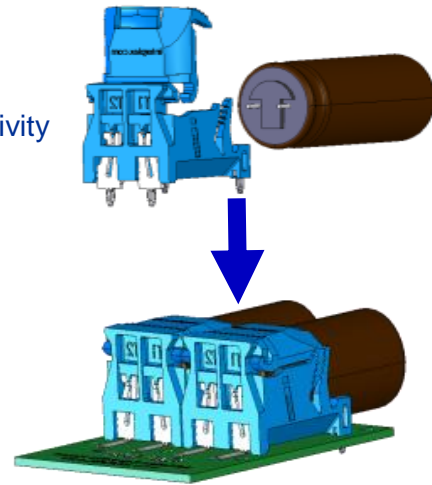
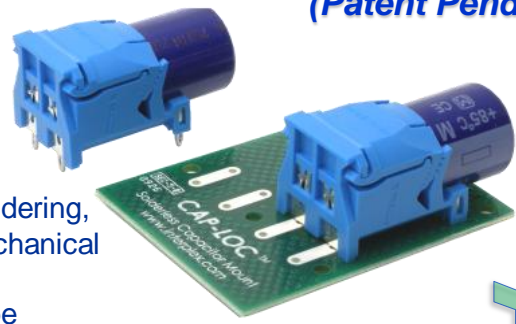
Interplex's CAP-LOC™ System is a solderless mounting system for electrolytic capacitors that eliminates the secondary processes of soldering, adhesives, or clamps commonly used to make the electrical and mechanical connections to PCB's. This capacitor mounting system is design to withstand the rigors of automotive applications and other mobility type products.

Interplex CAP-LOC™ System Features:

- Completely solderless interconnection system
- Proven 0.8mm press-fits for superior retention and electrical conductivity
- Accommodates diameter and length tolerances of capacitor
- High force mechanical capacitor clamp (low mass plastic)
- High normal force electrical connection to capacitor leads
- Minimal stress relaxation on spring contact
- Minimal lead deformation or coating damage
- No conductive components touching capacitor body
- 4-sided capture of capacitor leads
- Designed for 18mm Ø capacitor body
- Easy assembly system

Open Back Design

- Accommodates various capacitor lengths
- Provides visibility of polarity markings
- Length tolerance compliant
- Center of gravity within plastic (40mm Cap)



Automotive Products

Interplex
Industries, Inc.

Global Solutions for Complex Parts and Assemblies

Automotive • Industrial • Medical • Military • Telecom

Interplex Industries | 14-34 110 Street, Suite 301 | College Point, NY 11356

www.interplex.com

Rev.A

Applications

Powertrain Control

- Engine & Transmission
- Battery Management
- DC Converters-Inverters
- Cooling Fans
- Water Pumps

Safety Control

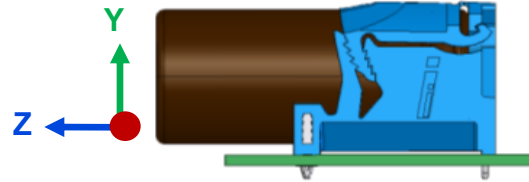
- Airbag Controls
- Electronic Braking
- HID Lamps

Convenience Controls

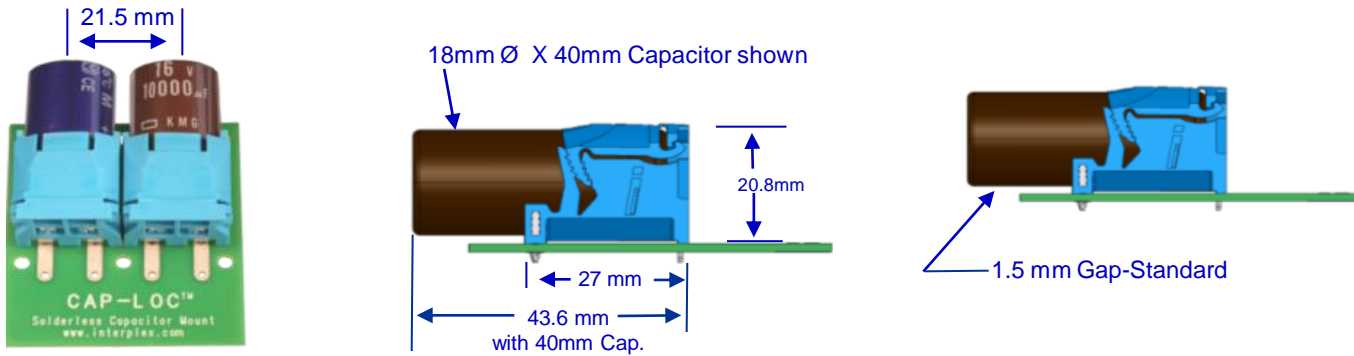
- AC/Ventilation
- Small Motor Drives
- Electronic Steering

Performance Specifications:

- Maximum operating temperature: 125 ° C
- Contact resistance: 1 mΩ max from capacitor lead to PCB
- PCB retention force: 250N typical (Y-direction)
- Capacitor retention force: 125N typical (Z-direction)
- 3Kg normal force contact beam to capacitor leads

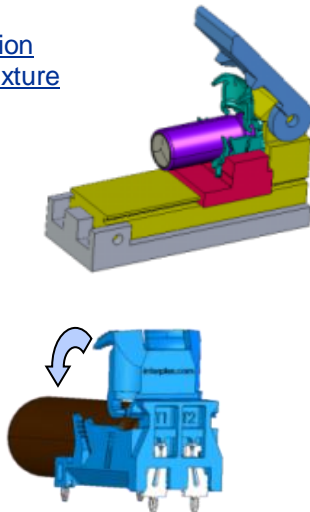


Ref. Dimensionals: See data sheet IPX15108 for full product outline



For PCB footprint and hole construction see data sheet IPX15108

Single Motion Assembly Fixture



PCB Assembly Tool



Automotive • Industrial • Medical • Military • Telecom Global Solutions for Complex Parts and Assemblies

Interplex Industries | 14-34 110 Street, Suite 301 | College Point, NY 11356

www.interplex.com

Automotive Products