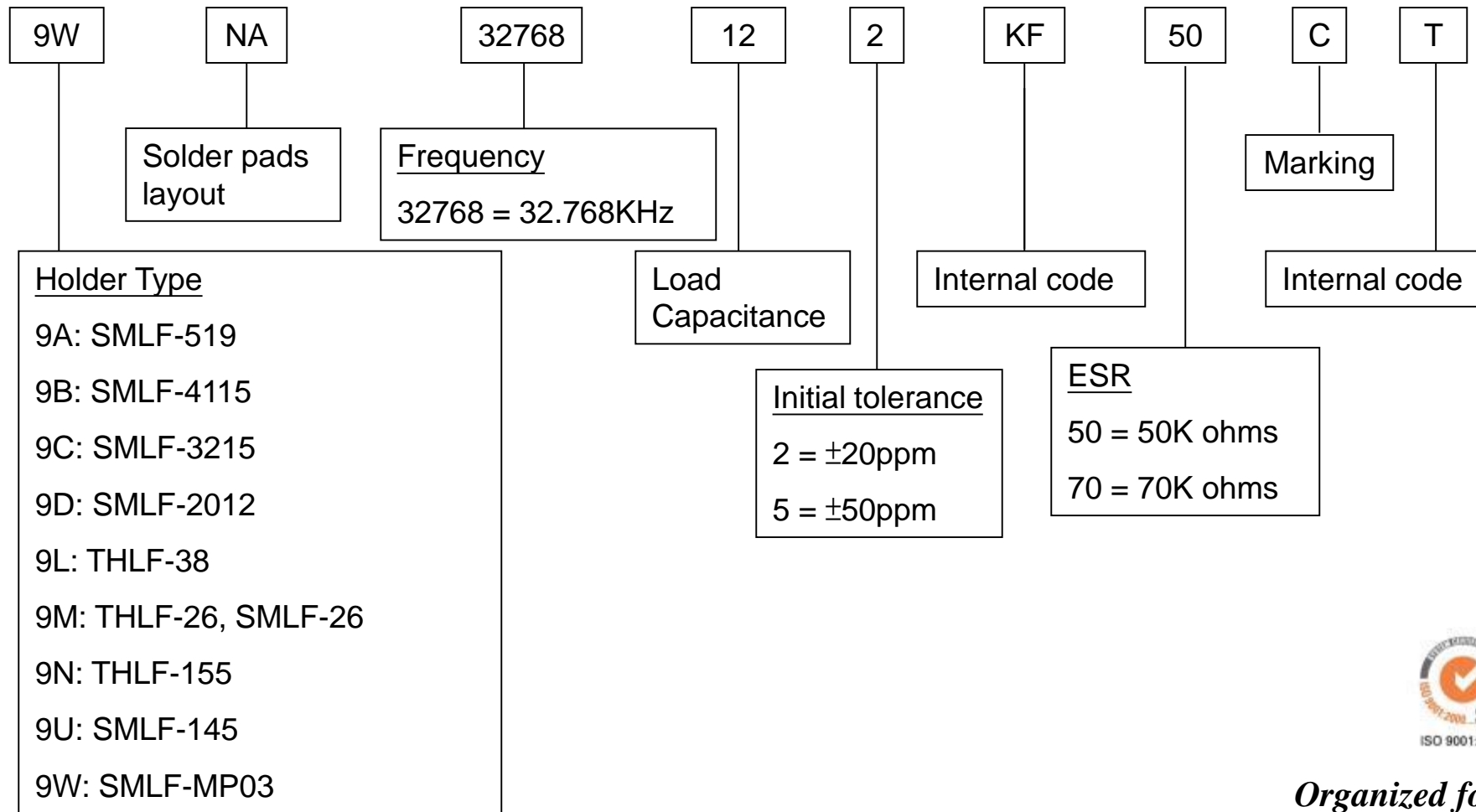




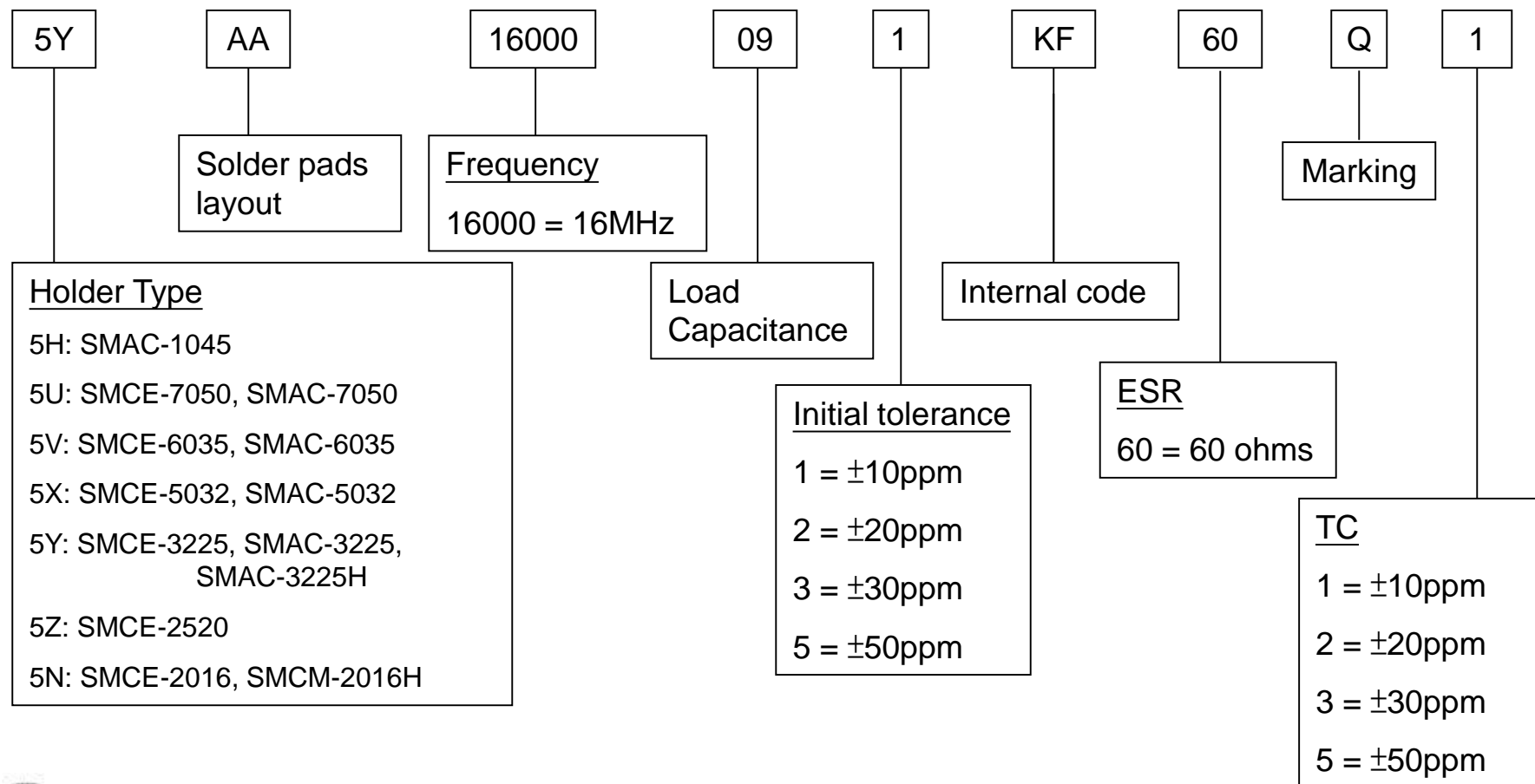
Part number identification

KHz Range SMD Crystal Resonators





MHz Range SMD Crystal Resonators



ISO 9001:2000



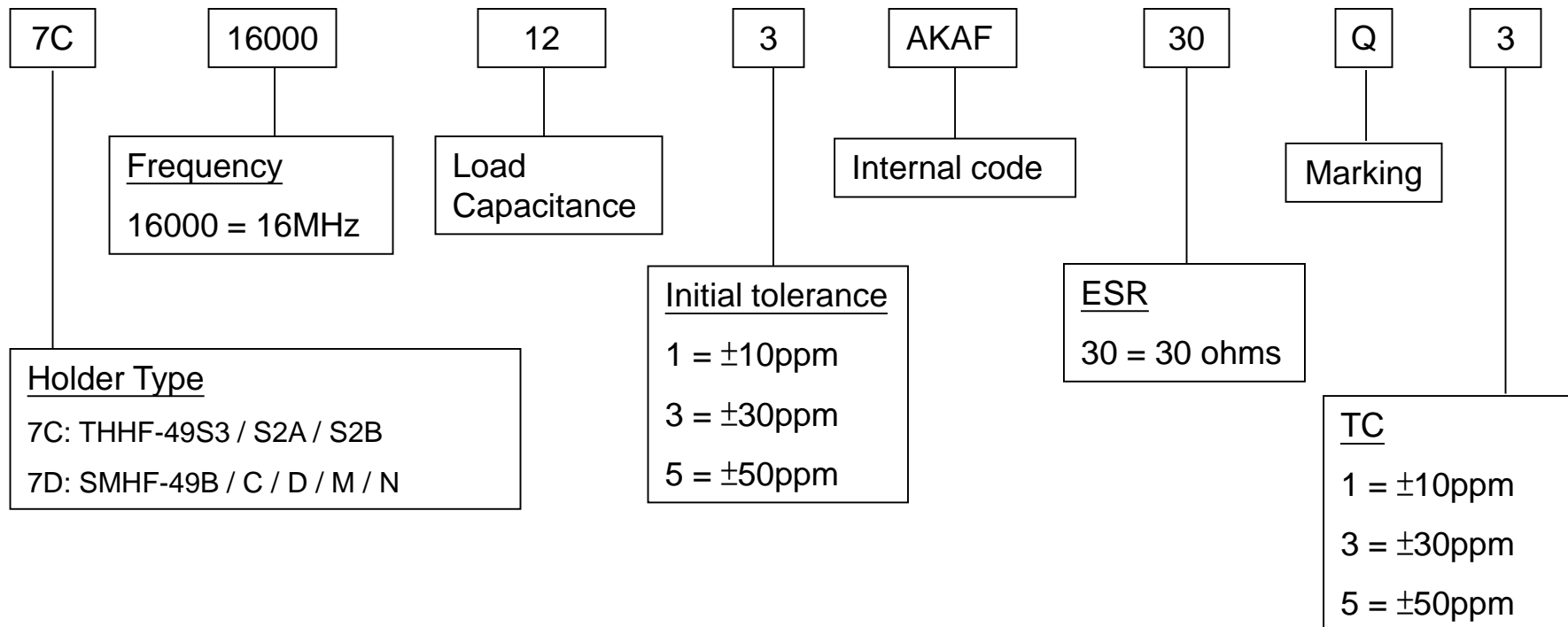
ISO 14001:2004



ISO/TS 16949



MHz Range Crystal Resonators (Through hole and SMD)



ISO 9001:2000



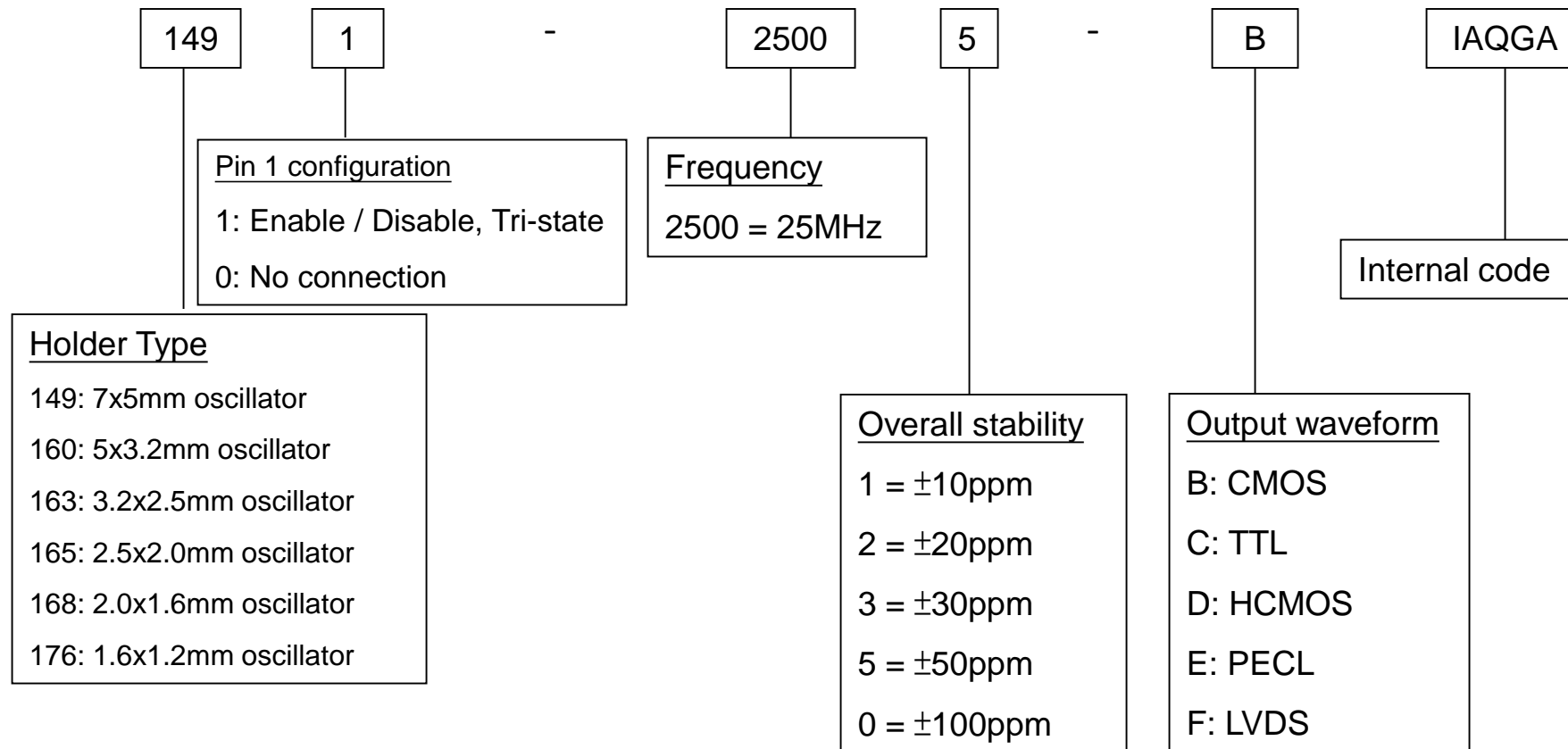
ISO 14001:2004



ISO/TS 16949



Crystal Oscillators





Crystal Oscillators (VCXO & TCXO)

