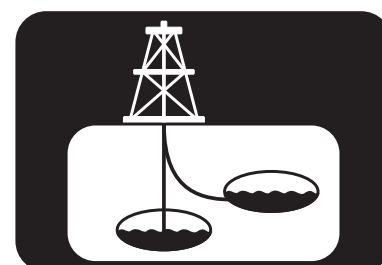


# JA-35H185 accelerometer



## Key features

- 185 °C operating temperature
- High accuracy with long term stability
- Shock and vibration resistant
- Ultimate reliability
- Easy to integrate

The 185 °C JA-35H185 accelerometers have been developed to meet the increasing high temperature needs of downhole applications. As one of the key suppliers of accelerometers to downhole applications JAE has used its wealth of knowledge to extend the working temperature of the accelerometer to provide reliable long term operation even at extreme temperatures without compromising performance.

## Applications

Designed for extreme downhole applications including:

- Directional Drilling
- MWD/LWD
- Wireline

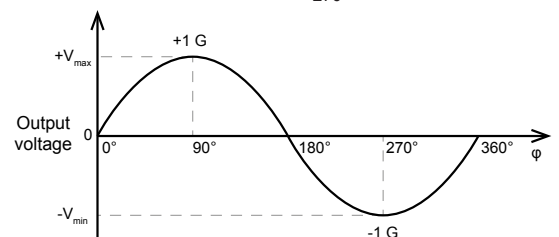
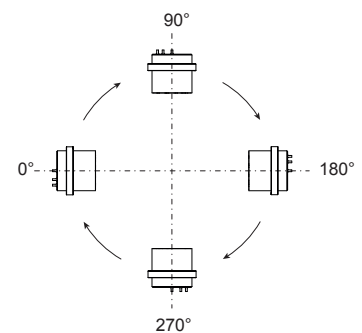
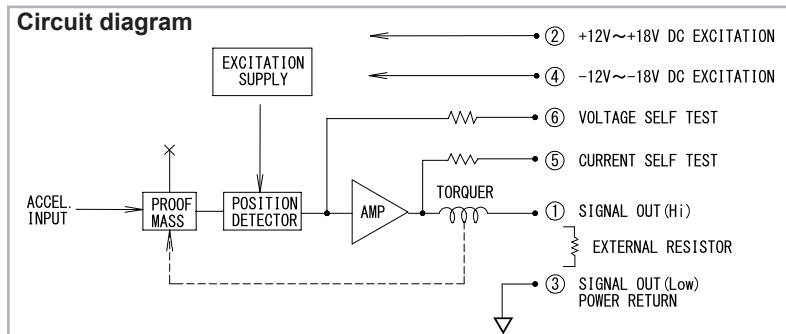
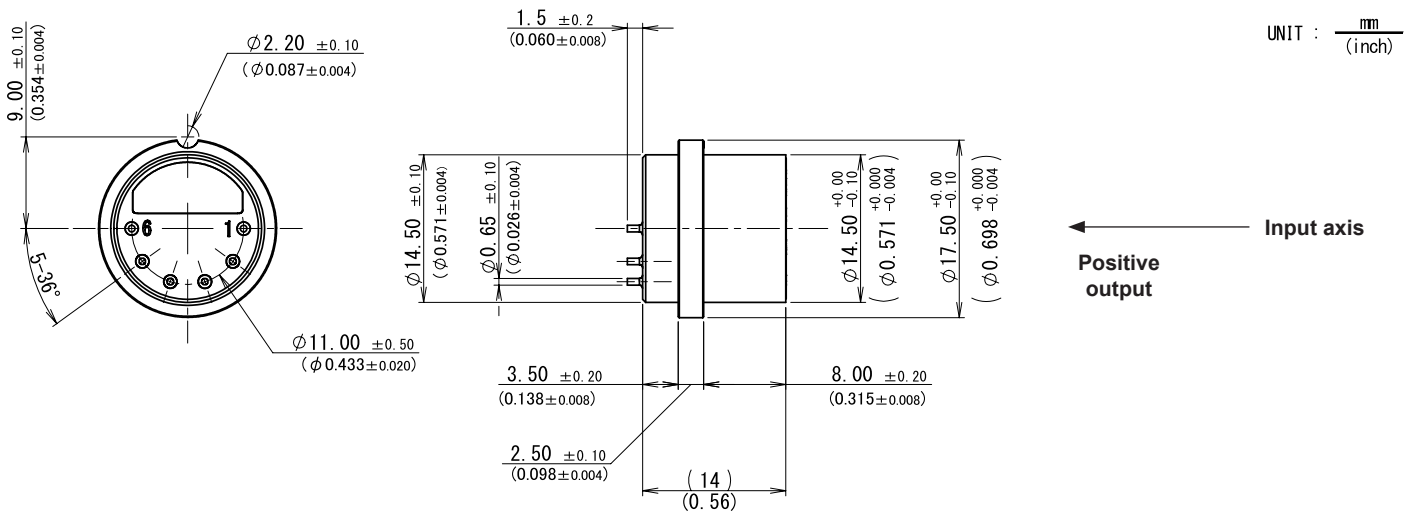
These high performance servo balanced quartz accelerometers have been specifically designed to survive the environmental challenges of downhole applications including Directional Drilling, MWD/LWD and Wireline. The proven rugged design provides reliable long term operation even at 185 °C.

*An extreme product for extreme applications.*

*Accelerometers must only be exported in accordance with all relevant regulations.*

# Dimensional drawings

## JA-35H185

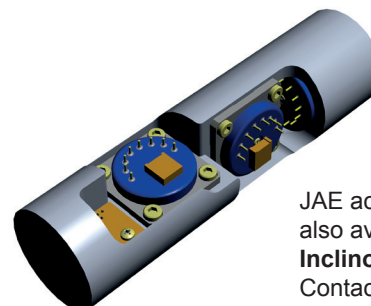


## Technical data

Environmental			
Temperature (operating/non-operating)		-40 °C to +185 °C	
Vibration	Sine	30 G 0-peak, 30 Hz - 2,000 Hz	
	Random	20 Grms, 15 Hz - 500 Hz	
Shock (0.5 ms, half sine)	Operating	1,000 G *	
	Survival	1,500 G *	
Electrical			
Input voltage		$\pm 12.0 V_{DC}$ to $\pm 18.0 V_{DC}$	
Input current (quiescent)		5.5 mA max.	
Insulation resistance (power return to case)		50 M $\Omega$ min. @ 50 $V_{DC}$	
Mechanical			
Weight		15 grams max.	
Material		Stainless steel (non-magnetic)	
Performance			
Measurement range		$\pm 4.0$ G min.	
Output voltage		$\pm 10.0 V_{DC}$ min. @ $\pm 15.0 V_{DC}$ excitation	
Scale factor	Nominal (@ 25 °C)		2.90 mA/G $\pm 5$ %
	Temperature coefficient	-40 °C to +100 °C	$\pm 180$ ppm/°C max.
		+100 °C to +185 °C	$\pm 300$ ppm/°C max.
Bias	Nominal (@ 25 °C)		$\pm 15.0$ mG max.
	Temperature coefficient		$\pm 100$ $\mu$ G/°C max.
Axis alignment	Nominal (@ 25 °C)		$\pm 5.0$ mrad max.
	Temperature coefficient		$\pm 5$ $\mu$ rad/°C max.
Noise	1 Hz to 500 Hz		4 $\mu$ A rms max.
	500 Hz to 10 kHz		14 $\mu$ A rms max.
Resolution and Threshold		$\pm 1.0$ $\mu$ G max.	
Linearity		$\pm 0.01$ % full scale max.	
Frequency response (bandwidth)		200 Hz min.	
Long term stability (1 year)	Scale factor		$\pm 1,500$ ppm max.
	Bias		$\pm 2,000$ $\mu$ G max.
	Axis alignment		$\pm 800$ $\mu$ rad max.

$$1 \text{ G} = 9.80665 \text{ m/s}^2$$

\* Please contact JAE for further information



JAE accelerometers are also available as custom **Inclinometer** packages. Contact us for details.

## Contact information

### North and South America

JAE Electronics, Inc.  
1100 W. Park One Drive  
Sugar Land  
TX 77478  
United States

T: +1 281 325 5760  
E: [support.aerospace@jae.com](mailto:support.aerospace@jae.com)

### Europe

JAE Europe, Ltd.  
200 Fowler Avenue  
Farnborough Business Park  
Hampshire  
GU14 7JP  
United Kingdom

T: +44 1252 55 11 00  
E: [support.aerospace@jae.co.uk](mailto:support.aerospace@jae.co.uk)

### Japan and Rest of World

Japan Aviation Electronics  
Industry, Ltd.  
1-19, Aobadai 3-chome  
Meguro-ku  
Tokyo 153-8539  
Japan

T: +81 3 3780 2925  
E: [aeroinfo@jae.co.jp](mailto:aeroinfo@jae.co.jp)

## More accelerometers from JAE



JA-5 series  
Φ25 mm



JA-25 series  
Φ19 mm



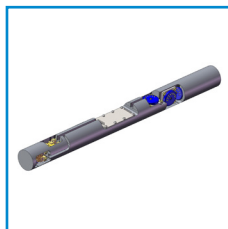
JA-35 series  
Φ15 mm

For more information on  
these products and other  
product ranges visit  
[www.jae.com/aero](http://www.jae.com/aero)

## More downhole products from JAE



Magnetometers



Directional Modules

## Document revision table

Document number	Issue	Revision date	Changes
JA-35H185_DS	01	01/03/2016	New document

JAE reserves the right to modify specifications without prior notice.