

Moulded case current transformer for billing purposes Class 0,2S / 0,5S

Billing current transformer

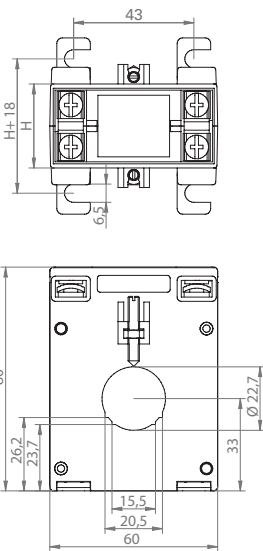
The current transformer for billing with a constantly sufficient load. In short, with which the valid regulations for kWh measurement devices are fulfilled. Each current transformer is individually measured and the test reports can be called up online. Flexibility, the compact design and safety are unique selling features of the line. All transformers are equipped with an integrated lockable terminal cover, produced from polycarbonate. The current transformers are supplied with a fastening tool, for mounting on rails, cables or assembly plates. The transformers can be optionally ordered with clips, which enable mounting on a DIN rail.



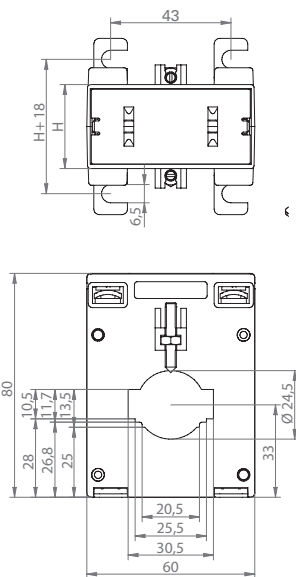
Dimension diagrams

All dimensions in mm

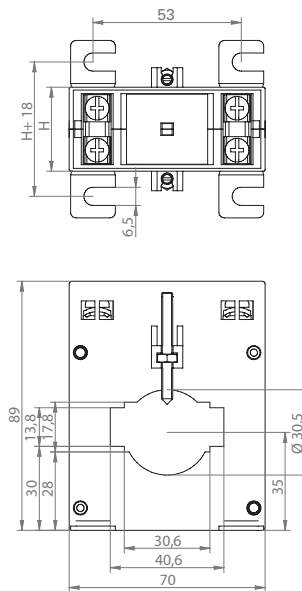
ERM60-E2A



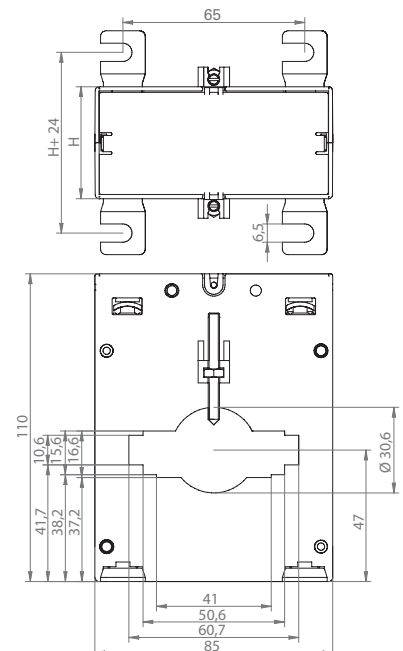
ERM60-E3A



ERM70-E4A



ERM85-E6A



General properties

- Nominal frequency 50 – 60 Hz
- Insulation class E
- Thermal rated short-term current $I_{th} = 60 \times I_N / 1s$
- Thermal continuous current $1.2 \times I_N$
- Rated surge current $I_{dyn} = 2.5 \times I_{th}$, however min. 100 kA with all plug-in current transformers
- Highest voltage for operating equipment $U_m = 0.72 \text{ kV}$
- Rated insulation level (test voltage) 3 kV / 1 min (per IEC 61869-2)
- Over-current limit factor FS5 with max. power or FS10 with min. power
- Harmonics current up to 50th harmonic
- Test report available
- Temperature range -25 to 55°C
- Other current transformer requirements on request



Technical data

Device overview calibratable moulded case current transformer, class 0,2S / 0,5S									
Type	Primary current in A	Class	Power in VA	Transformation ratio	Primary conductor	Round conductor in mm	Width in mm	Weight (kg)	Item no.
ERM60-E2A	100	0.5S	0 – 1 VA	100/5 A	20 x 10	22,7	60	0,4	09.06.211
ERM60-E3A	150	0.2S	0 – 1 VA	150/5 A	30 x 10	24,5	60	0,4	09.06.212
ERM60-E3A	200	0.2S	0 – 2 VA	200/5 A	30 x 10	24,5	60	0,4	09.06.213
ERM60-E3A	250	0.2S	0 – 2,5 VA	250/5 A	30 x 10	24,5	60	0,4	09.06.214
ERM70-E4A	300	0.2S	0 – 2,5 VA	300/5 A	40 x 10	30,5	70	0,4	09.06.215
ERM70-E4A	400	0.2S	0 – 5 VA	400/5 A	40 x 10	30,5	70	0,4	09.06.216
ERM70-E4A	500	0.2S	0 – 5 VA	500/5 A	40 x 10	30,5	70	0,4	09.06.217
ERM70-E4B	600	0.2S	0 – 5 VA	600/5 A	40 x 10	30,5	70	0,5	09.06.218
ERM70-E4B	750	0.2S	0 – 5 VA	750/5 A	40 x 10	30,5	70	0,5	09.06.219
ERM85-E6A	1000	0.2S	0 – 5 VA	1000/5 A	60 x 10	30,6	85	0,6	09.06.220

Fees for calibration certificate	
Description	Item no.
Calibration fee for transformer class 0.2S / 0.5S	09.06.209
Calibration certificate for transformer class 0.2S / 0.5S	09.06.210