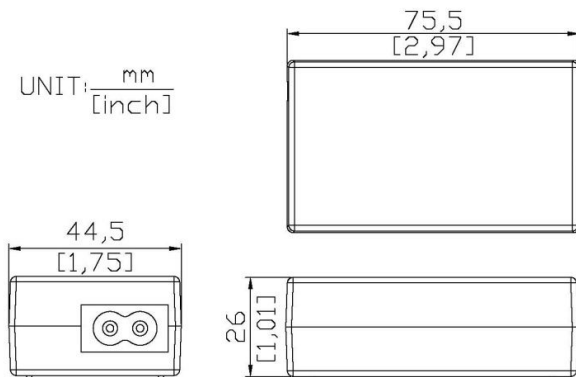


VEG10B-xxxF Series

10 Watts Desk Top AC Adapter



Electrical specifications

Input

Voltage 90 - 264 VAC (wide range)
 Current 0.5Arms Max.
 Frequency 47 - 63 Hz

Output

Voltage (Vo).....(see table)
 Tolerance.....5%
 Power (Po).....10W Max.
 Hold up time.....8ms Min. full load , Vin 115 Vac.
 Over voltage protection....Built-in
 Short circuit protection.....Pulsing mode, auto recovery
 Efficiency.....70% typ. full load , Vin 115 Vac.
 Ripple/Noise(Vp-p).....2% (20MHz bandwidth)

Output Electronic Specifications

Model No.	Po	Vo	Io max
VEG10B-033F	6.6W	3.3V	2.0A
VEG10B-036F	7.2W	3.6V	2.0A
VEG10B-050F	10W	5.0V	2.0A
VEG10B-075F	7.5W	7.5V	1.0A
VEG10B-090F	10W	9.0V	1.11A
VEG10B-120F	10W	12V	0.83A

Features

Two pins IEC C8 input socket
 Wide range AC input
 Level B EMI filter
 Fully enclosed plastic case
 Fully regulated output
 High efficiency
 High quality
 Power saving state under 0.3Watts

Environmental

Operating temperature

0 deg. C to +40 deg. C ambient

Storage temperature

-20 deg. C to +85 deg. C ambient

EMI

Meet FCC class B, CISPR 22 class B,
 VCCI class B

Safeties

CB
 TUV/GS
 UL/cUL
 CE
 CCC
 PSE
 RCM
 B/S
 FCC



Jasper Electronics

1580 North Kellogg Dr. Anaheim, Ca. 92807
 TEL: 714-917-0749 FAX: 714-917-0786
 Web: <http://www.jasperelectronics.com>
 E-mail: sales@jasperelectronics.com