



PD743i

High Output Full Range loudspeakers System

Features:

- ▶ 2-way very high output mid-high loudspeaker system
- ▶ Dual JBL 2432H, 38 mm (1.5 in) exit compression driver, 75 mm (3 in) voice coil
- ▶ Dual JBL CMCD-82H Cone Midrange Compression Driver with integral 200 mm (8 in) diameter Differential Drive® dual voice coil - dual magnetic gap
- ▶ 40° by 30° Coverage Pattern
- ▶ Rugged DuraFlex™ exterior finish with WRC and WRX weather protections also available



Applications:

- ▶ Stadiums
- ▶ Ball Parks
- ▶ Arenas
- ▶ Race Tracks

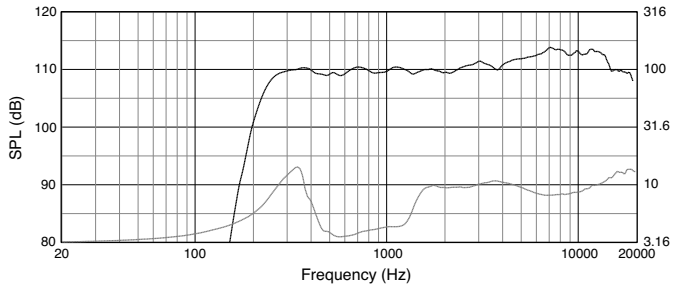
The PD743i Precision Directivity™ 2-way mid-high, horn-loaded loudspeaker provides high-impact sound reinforcement at throw distances that are beyond the reach of single-driver designs. A single module produces greater than 104 dB SPL (continuous) at distances of 50 m (165 ft).

The PD743i may be used in clusters with other PD family modules or singly as part of a distributed system. The PD743i has the same mid-high features as the PD743i-215 so they can work seamlessly together.

Specifications:

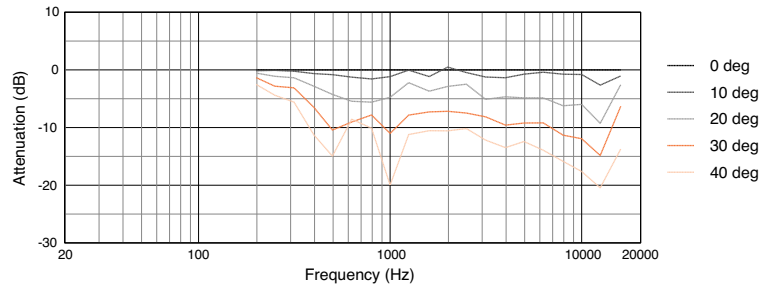
Frequency Range (+/-10 dB):	200 Hz to 19.5 kHz
Frequency Response (+/-3 dB):	230 Hz - 18.5 kHz
Coverage Pattern:	40° x 30°
Directivity Index:	16 dB
System Sensitivity (1W @ 1m):	Passive Mid-High: 110 dB SPL
Maximum Peak SPL: (Bi-amplified mode):	MHF - 142 dB Peak
Transducer Power Rating (AES):	MHF - 400 W (1600 W Peak)
Crossover Frequencies:	1.2 kHz
DSP:	Custom DSP for Crown ITHD and IT4x3500HD amplifiers
Transducers:	
Midrange Frequency Driver:	2 x JBL CMCD-82H midrange driver with 200 mm (8 in) diameter Differential Drive® dual 75 mm (3 in) voice coil
High Frequency Driver:	2 x JBL 2432H, 38 mm (1.5 in) exit compression driver, 75 mm (3 in) voice coil
Nominal Impedance:	MF: 4 ohms HF: 16 ohms
Physical:	
Enclosure:	Trapezoidal with Rectangular sides, combination of 18 mm and 16 mm (5/8 in) exterior grade birch plywood.
Enclosure WRC/WRX Version:	For direct exposure or extreme environments, fibreglassed with stainless steel hardware.
Grille:	Black powder coated zinc treated 14 gauge perforated steel with black foam backing.
Grille WRC/WRX Version:	Three layer grille assy consisting of 16-gauge powder coated S.S., backed with O.C. foam and S.S. mesh.
Input Connector:	NL4 for bi-amp operation
Input Connectors WRC/WRX Version:	4 conductor 16 awg direct burial cable assy 20 ft length (or length TBD)
WRC/WRX Environmental Specifications:	IP55
Suspension Attachment:	52 total points (12 top and bottom, 11 each side, 6 back), M10 threaded hardware
Dimensions (H x W x D):	991 mm x 991 mm x 1145.8 mm (39.0 x 39.0 x 45.1 in)
Net Weight	245 lbs (111.4 kg)

Frequency Response

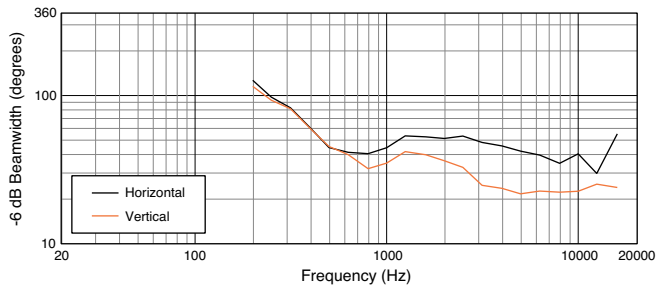


— On axis sim.txt
 - - PD743i-215 4m 64xo sum Impedance 2.83 & Z 10-20k.txt

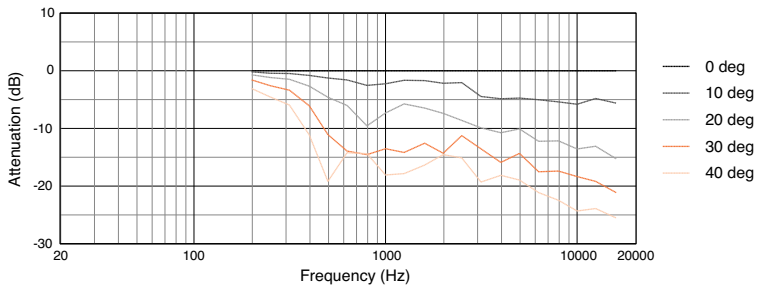
Horizontal Off Axis Frequency Response



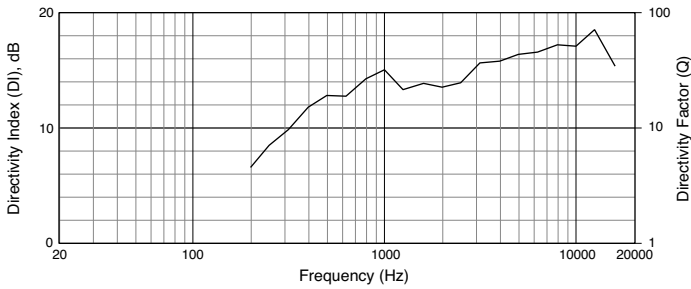
Beamwidth



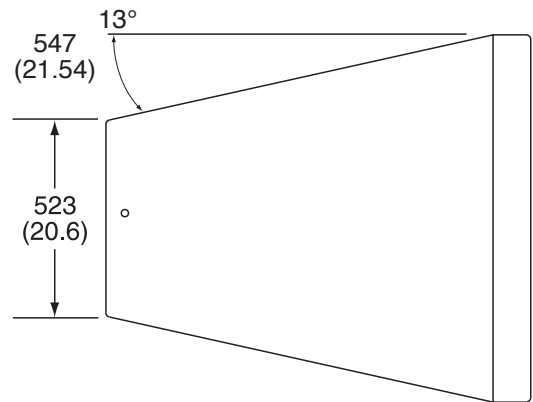
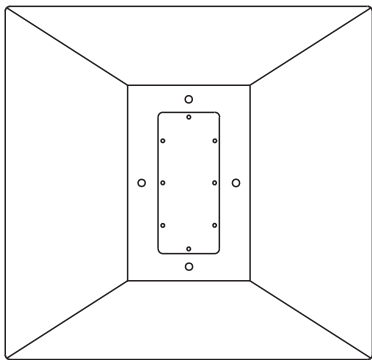
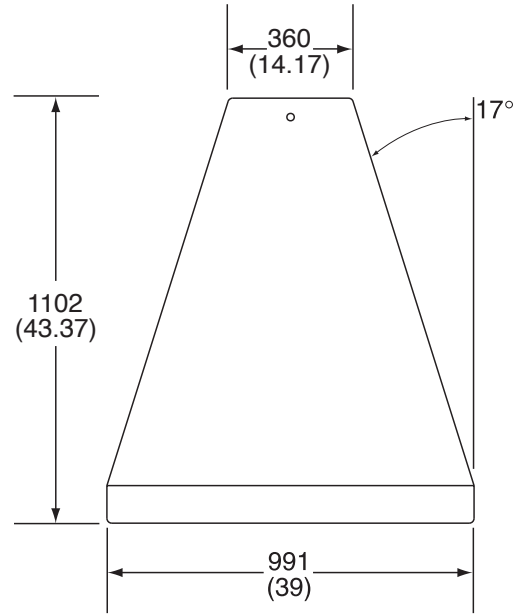
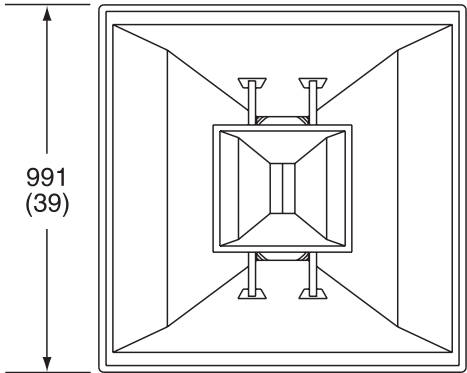
Vertical Off Axis Frequency Response



Directivity Index Q



Dimensions:



JBL Professional
8500 Balboa Boulevard, P.O. Box 2200
Northridge, California 91329 U.S.A.
© Copyright 2016 JBL Professional
www.jblpro.com