

THE DRAWING ON THIS PRINT AND THE INFORMATION THEREIN ARE PROPRIETARY TO JENOPTIK OPTICAL SYSTEMS, INC. AND SHALL NOT BE USED IN WHOLE OR IN PART WITHOUT THE WRITTEN CONSENT OF JENOPTIK OPTICAL SYSTEMS, LLC.

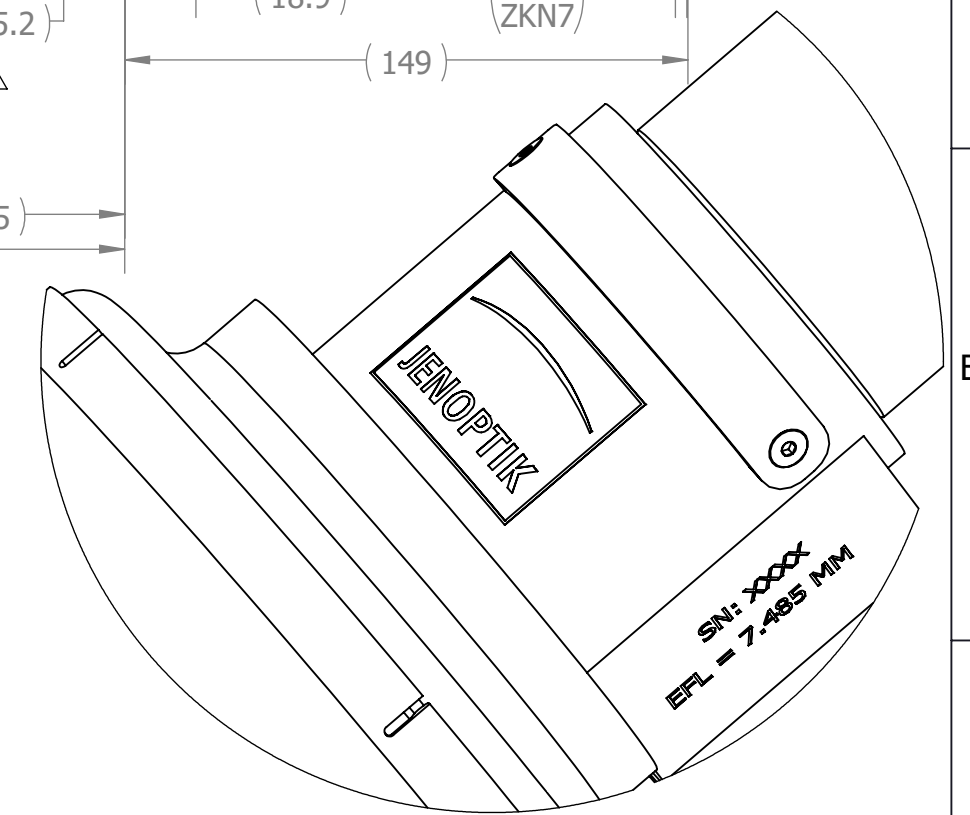
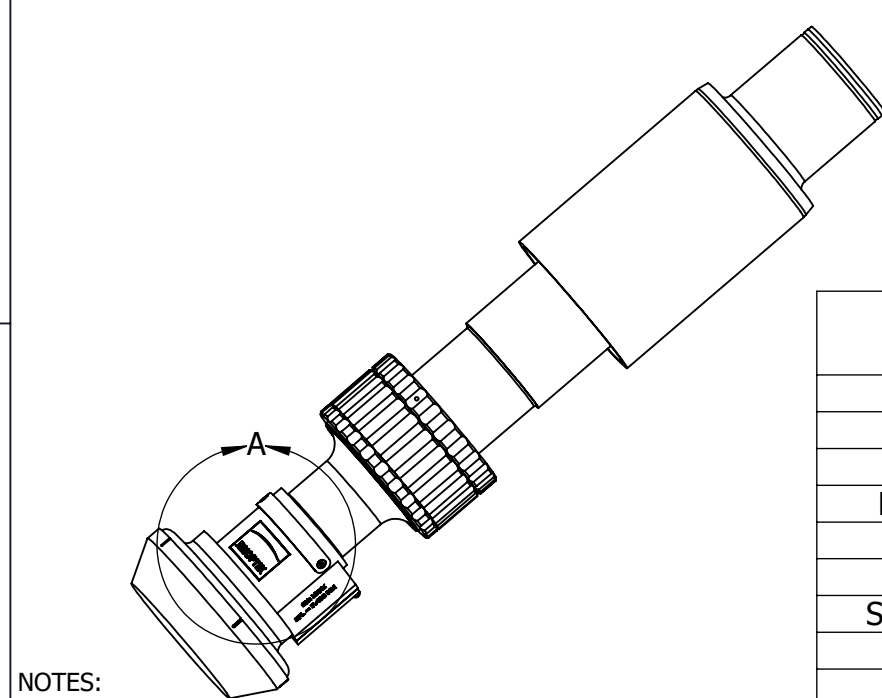
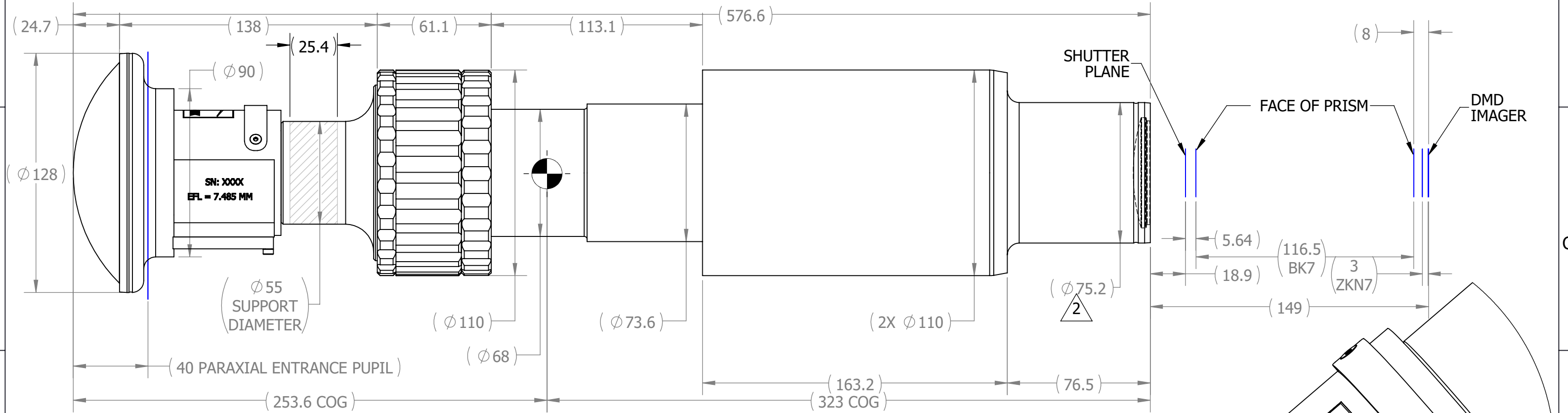
RELEASED

ASSEMBLY USED ON:

-

REVISION HISTORY

ZONE & EC NO	REV	DESCRIPTION	DATE	APPROVED
16217-01	A	PROJECTOR "REQUIREMENT" WAS CHRISTIE 4K DMD ADDED MOUNT	9-15-2016	VICTORIO
16217-02	B	ADDED BRIGHTNESS PARAMETER	10/20/16	A.VICTORIO



PARAMETER	REQUIREMENT
PROJECTOR	CHRISTIE D4KLH60
BRIGHTNESS	60K LUMENS
DMD IMAGER	4096 X 2160
DMD IMAGER DIMS	30.96576 X 16.3296 MM
PIXEL SIZE	7.56 um
THROW	2743 MM
SCREEN GEOMETRY	SPHERE
MAPPING	F-THETA
EFL	7.485 MM
HORIZONTAL F.O.V.	180°
VERTICAL F.O.V.	125°
USED IMAGE FORMAT	3110 X 2160 PIXELS

- NOTES:
- APPROX. WEIGHT: 6.8 KG.
  - APPROX. LOCATION AND ROTATION OF MOUNT

MAT'L:	AS BUILT	NAME	P.WYNN	DATE	7/29/2016
FINISH:	N/A	CHECKED	T. VICTORIO	7/29/2016	
		APRVD	D.SYKORA	7/29/2016	

JENOPTIK Optical Systems, LLC  
 16490 Innovation Drive | Jupiter, FL 33478-6428  
 Phone: 561 881-7400 | Fax: 561 881-1947  
 www.jenoptik-inc.com

**JENOPTIK**

TITLE  
**EFL = 7.485 MM ICD**

SIZE B DWG NO 13175700-ICD REV A

SHEET 1 OF 1

UNLESS OTHERWISE SPECIFIED DIMENSIONS ARE IN MILLIMETERS AND INCLUDE APPLIED TOLERANCE ON ANGLES = ± 0.25°

FINISH TOLERANCES	HOLE DIM
LINEAR DIM X = ± 0.5	X = ± 0.5
X.X = ± 0.2	X.X = ± 0.2
X.XX = ± 0.1	X.XX = ± 0.1
X.XXX = ± 0.05	X.XXX = ± 0.05

SURFACE TEXTURE 3.2/ UNLESS OTHERWISE SPECIFIED