

THE DRAWING ON THIS PRINT AND THE INFORMATION THEREIN ARE PROPRIETARY TO JENOPTIK OPTICAL SYSTEMS, LLC AND SHALL NOT BE USED IN WHOLE OR IN PART WITHOUT THE WRITTEN CONSENT OF JENOPTIK OPTICAL SYSTEMS, LLC.

RELEASED

ASSEMBLY USED ON:

-

LEVEL

1

REVISION HISTORY

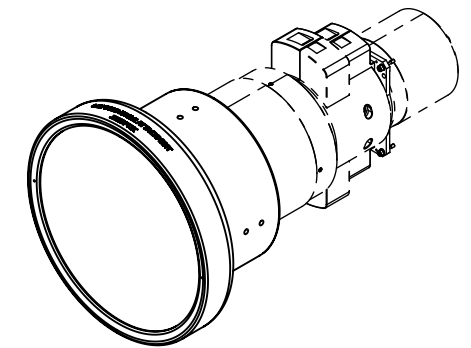
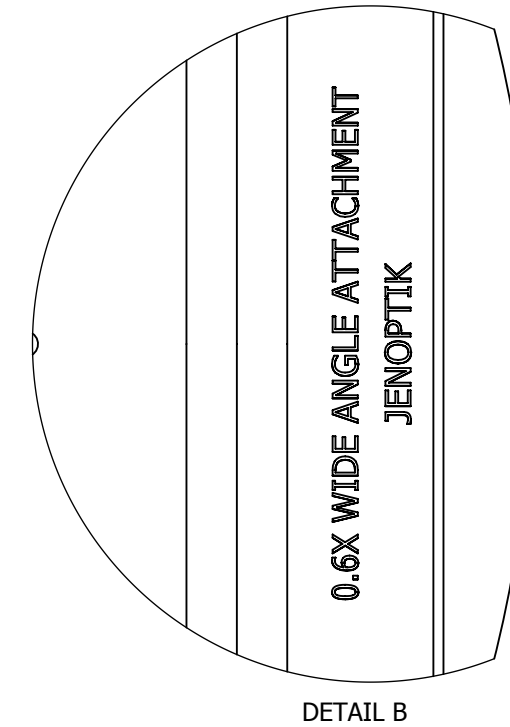
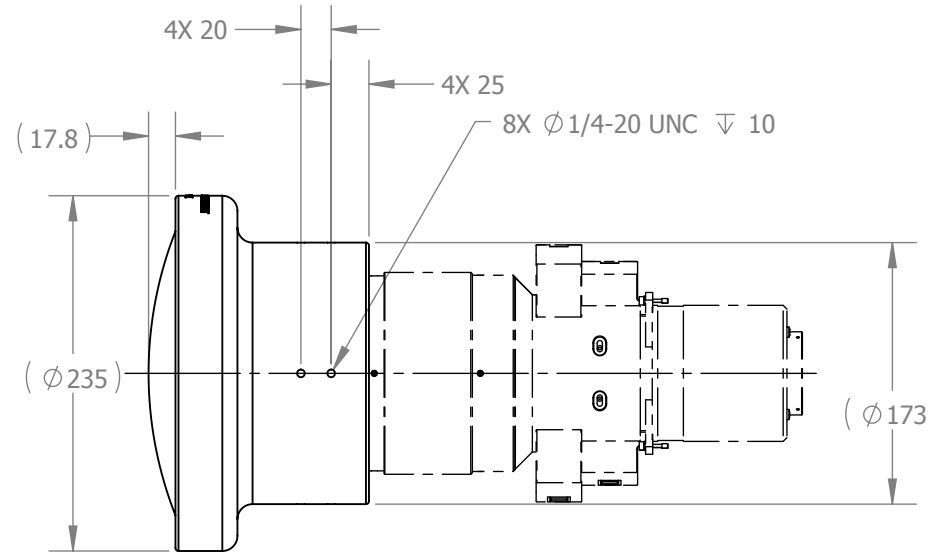
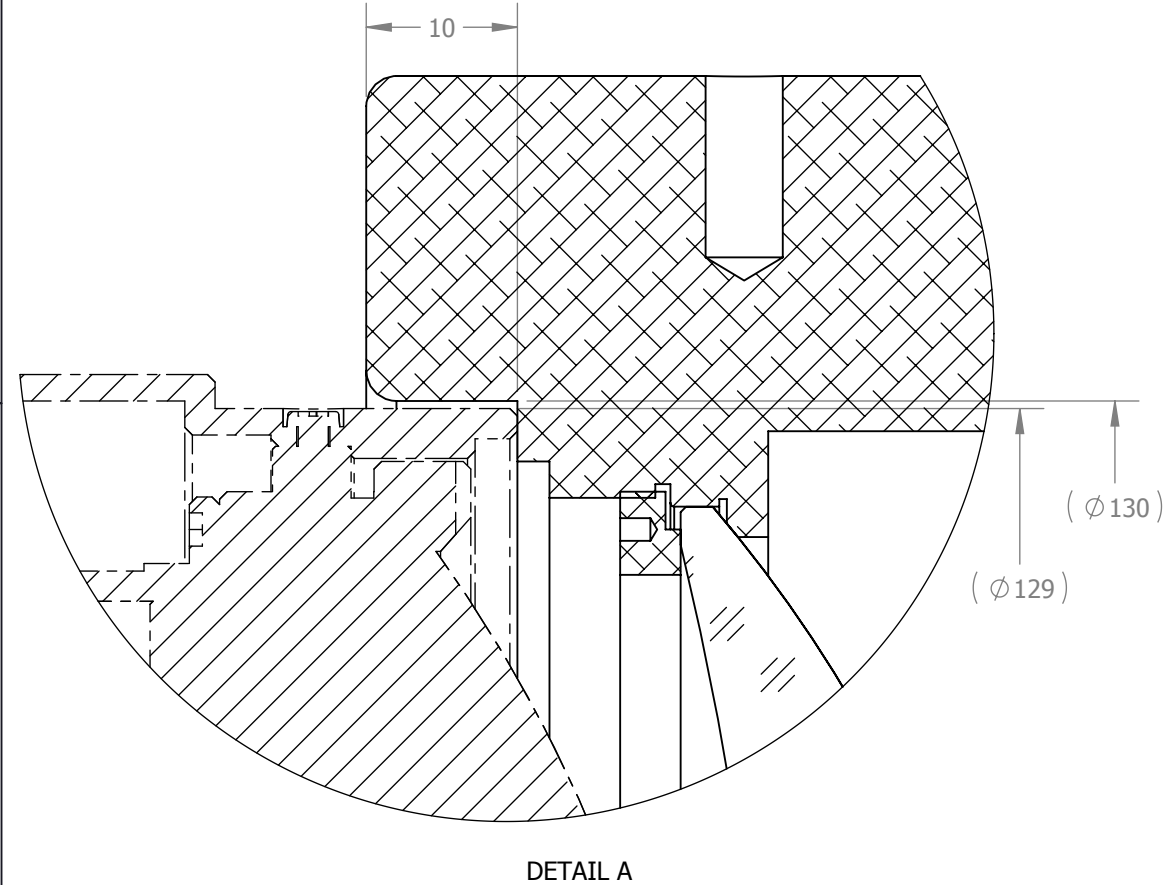
ZONE & EC NO

REV

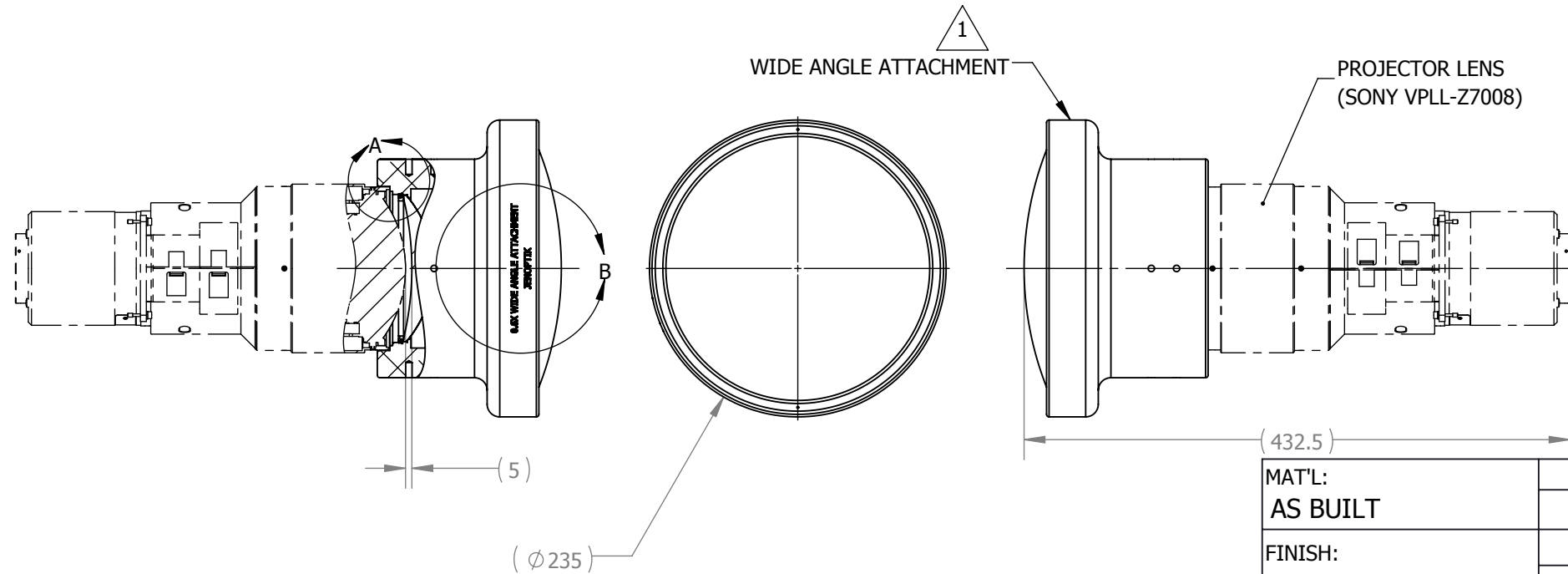
DESCRIPTION

DATE

APPROVED



PARAMETER	SPECIFICATION
PROJECTOR	SONY VPL-GTZ270 4K SXRD 500lm LASER SOURCE
PROJECTOR LENS (SONY)	VPLL-Z7008
NUMBER OF PIXELS	4096 x 2160
CHIP SIZE	16.63 mm x 8.77 mm
CHIP SIZE DIAGONAL	18.8 mm
PIXEL SIZE	0.00406 mm
USED IMAGE FORMAT	19 mm ON CHIP PLANE
THROW (SONY LENS)	0.80:1 to 1.02:1
THROW (JOS ATTACHMENT)	2074 mm
DOMES RADIUS	3769 mm
SCREEN GEOMETRY	FLAT / TORODIAL
MAPPING	F-THETA
HORIZONTAL FIELD OF VIEW	112°
HORIZONTAL OFFSET	1%
VERTICAL FIELD OF VIEW	62°
F/# (SONY LENS)	f/2.9
WL RANGE	460 nm to 620 nm
PROJECTOR EFL ZOOM RANGE	13.46 - 18 mm
SYSTEM EFL (PROJECTOR + ADAPTOR)	8.1 mm - 9.5 mm
IMAGE DIAGONAL DUE TO OFFSET	19 mm
SYSTEM FIELD OF VIEW (MAX)	136° DIAGONAL



NOTES:

1 DESIGN OPTIMIZED FOR USE WITH SONY PROJECTOR LENS VPLL-Z7008

MAT'L:  
AS BUILT

FINISH:  
-  
N/A  
-

BREAK ALL SHARP CORNERS R 0.25 MM MIN  
SURFACE TEXTURE  $\sqrt{3.2}$  UNLESS OTHERWISE SPECIFIED

NAME	DATE
DRAWN T. VICTORIO	09/28/2016
CHECKED T. VICTORIO	10/03/2016
APRVD D. SYKORA	10/04/2016

UNLESS OTHERWISE SPECIFIED DIMENSIONS ARE IN MILLIMETERS AND INCLUDE APPLIED FINISH TOLERANCES. INTERPRET ALL DIMENSIONS AND TOLERANCES PER ASME Y14.5 2009  
TOLERANCE ON ANGLES = ± 0.25°  
LINEAR DIM X = ± 0.5  
X.X = ± 0.2  
X.XX = ± 0.1  
X.XXX = ± 0.05  
HOLE DIM X = ± 0.5  
X.X = ± 0.2  
X.XX = ± 0.1  
X.XXX = ± 0.05

JENOPTIK Optical Systems, LLC  
16490 Innovation Drive | Jupiter, FL 33478-6428  
Phone: 561 881-7400 | Fax: 561 881-1947  
www.jenoptik-inc.com



TITLE  
**0.6X WIDE ANGLE ATTACHMENT**  
SIZE B DWG NO 16277000-ICD REV\_  
WEIGHT: 16.65 lbs SHEET 1 OF 1