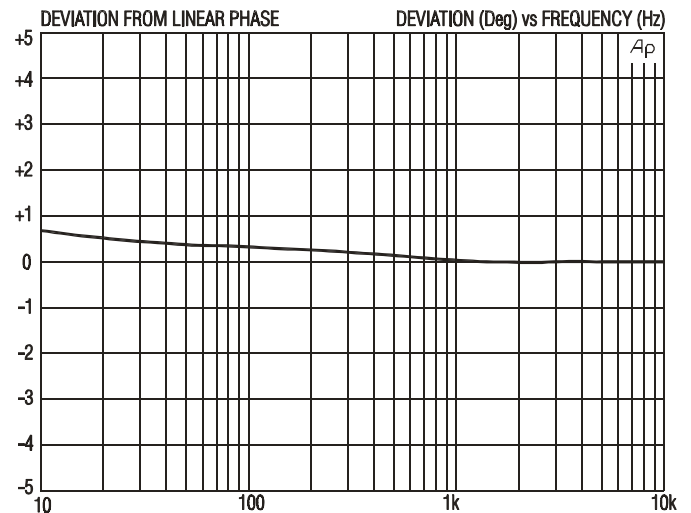
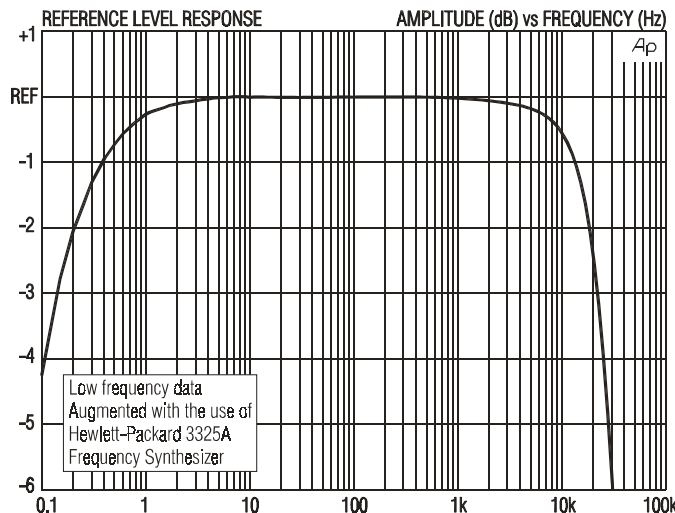
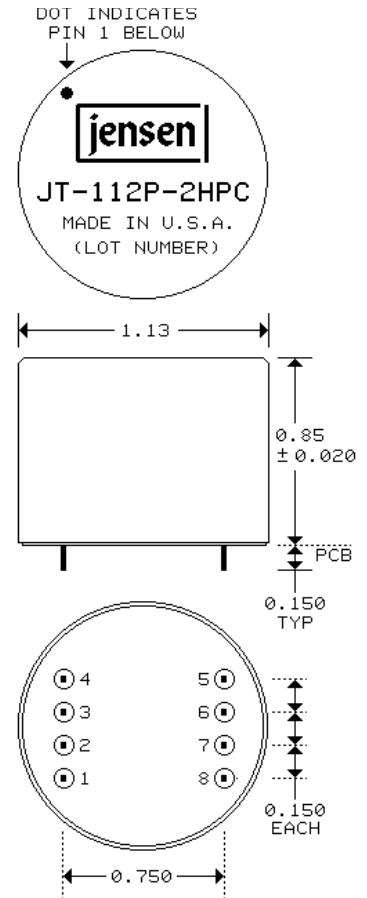
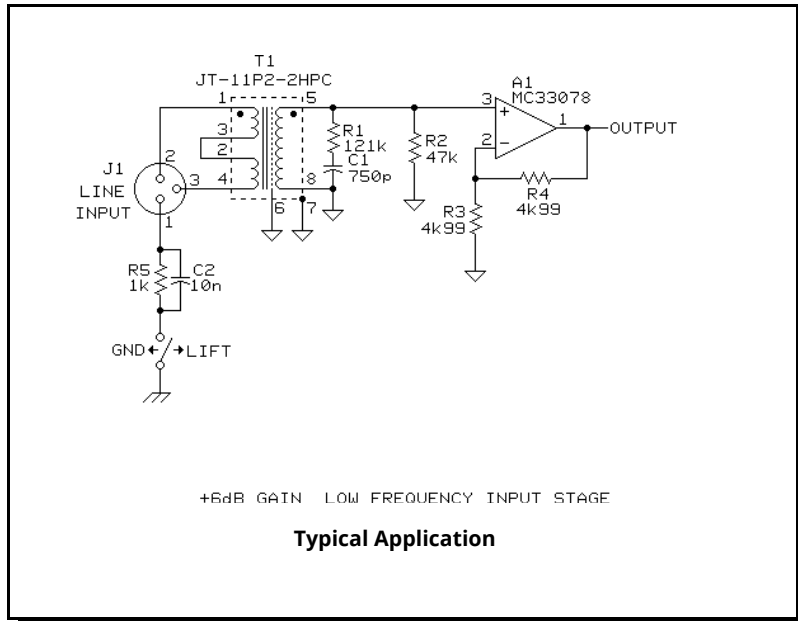


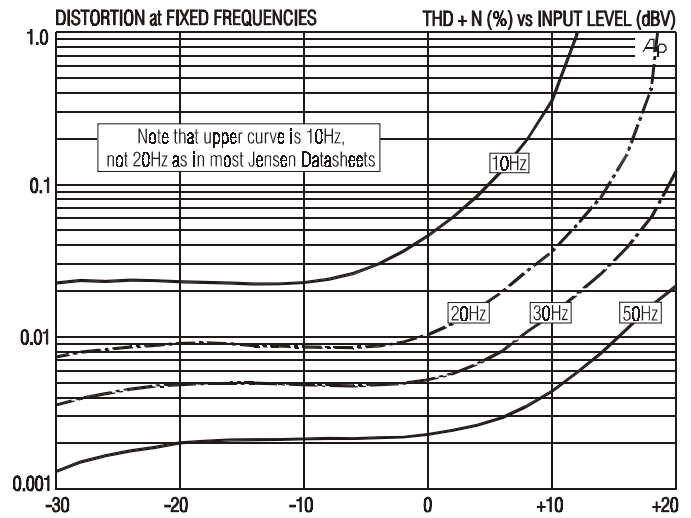
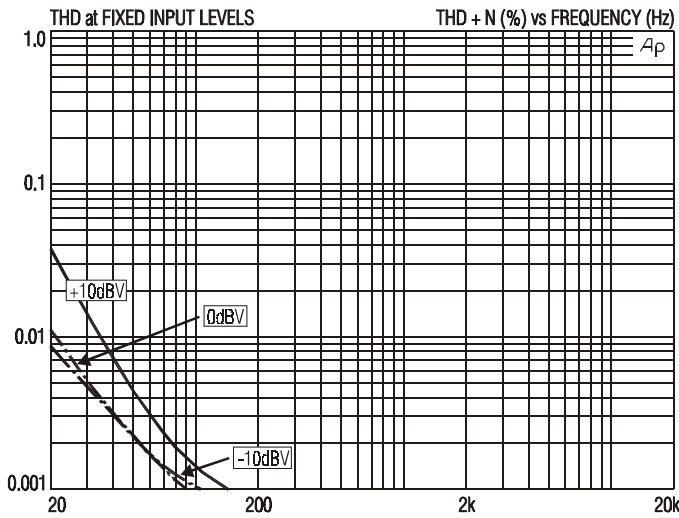
Line Input Transformer

DESIGNED FOR VERY LOW FREQUENCY SIGNALS

- Ideal for sub-woofer audio amplifier input isolation
- Extended low frequency bandwidth: -3 dB at 0.15 Hz
- Extremely low distortion: 0.01% at 20 Hz and -10 dBV
- 0 dB insertion loss with 600Ω source and 47 kΩ load
- High common-mode rejection: 102 dB at 60 Hz

This transformer is optimized to provide unparalleled low frequency response while providing over 100 dB of common mode isolation. Low frequency distortion has also been reduced to provide accurate reproduction of the very lowest musical frequencies. The ultimate solution for sub-woofer amplifier input isolation.

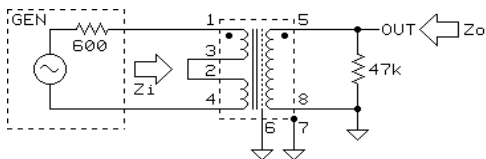




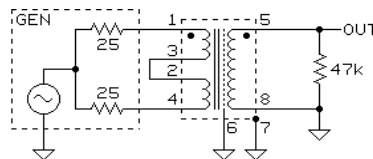
JT-112P-2HPC SPECIFICATIONS (all levels are input unless noted)

PARAMETER	CONDITIONS	MINIMUM	TYPICAL	MAXIMUM
Input impedance, Zi	100 Hz, -10 dBV, test circuit 1	39.0 kΩ	39.4 kΩ	39.8 kΩ
Voltage gain	100 Hz, -10 dBV, test circuit 1	-0.30 dB	0.00 dB	+0.30 dB
Magnitude response, ref 100 Hz	2 Hz, -10 dBV, test circuit 1, Rs=600 Ω	-0.15 dB	-0.04 dB	0.0 dB
	2 kHz, -10 dBV, test circuit 1, Rs=600 Ω	-0.15 dB	-0.05 dB	0.0 dB
Deviation from linear phase (DLP)	10 Hz to 10 kHz, -10 dBV, test circuit 1, Rs=600 Ω		+0.6°	±2.0°
Distortion (THD)	100 Hz, -10 dBV, test circuit 1, Rs=600 Ω		<0.001%	
	20 Hz, +10 dBV, test circuit 1, Rs=600 Ω		0.037%	0.15%
Maximum 20 Hz input level	1% THD, test circuit 1, Rs=600 Ω	+18 dBV	+20 dBV	
Common-mode rejection ratio (CMRR) 50 Ω balanced source	60 Hz, test circuit 2		102 dB	
	3 kHz, test circuit 2	80 dB	95 dB	
Common-mode rejection ratio (CMRR) 600 Ω unbalanced source	60 Hz, test circuit 3		105 dB	
	3 kHz, test circuit 3		67 dB	
Output impedance, Zo	1 kHz, test circuit 1, Rs=50 Ω		5.00 kΩ	
DC resistances	primary 1 (Pin 1 to Pin 3)		857 Ω	
	primary 2 (Pin 2 to Pin 4)		873 Ω	
	secondary (Pin 5 to Pin 8)		2.74 kΩ	
Capacitances @ 1 kHz	primary 1 to shield and case		80 pF	
	primary 2 to shield and case		80 pF	
	secondary to shield and case		82 pF	
Turns ratio		1.105:1	1.106:1	1.107:1
Temperature range	operation or storage	0° C		70° C

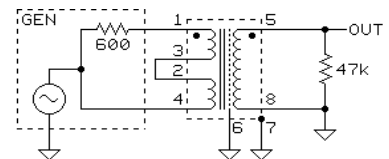
IMPORTANT NOTE: This device is NOT intended for use in life support systems or any application where its failure could cause injury or death. The breakdown voltage specification is intended to insure integrity of internal insulation systems; continuous operation at these voltages is NOT recommended. Consult our applications engineering department if you have special requirements.



TEST CIRCUIT 1



TEST CIRCUIT 2



TEST CIRCUIT 3

All minimum and maximum specifications are guaranteed. Unless noted otherwise, all specifications apply at 25°C. Specifications subject to change without notice. All information herein is believed to be accurate and reliable, however no responsibility is assumed for its use nor for any infringements of patents which may result from its use. No license is granted by implication or otherwise under any patent or patent rights of Jensen Transformers, Inc.