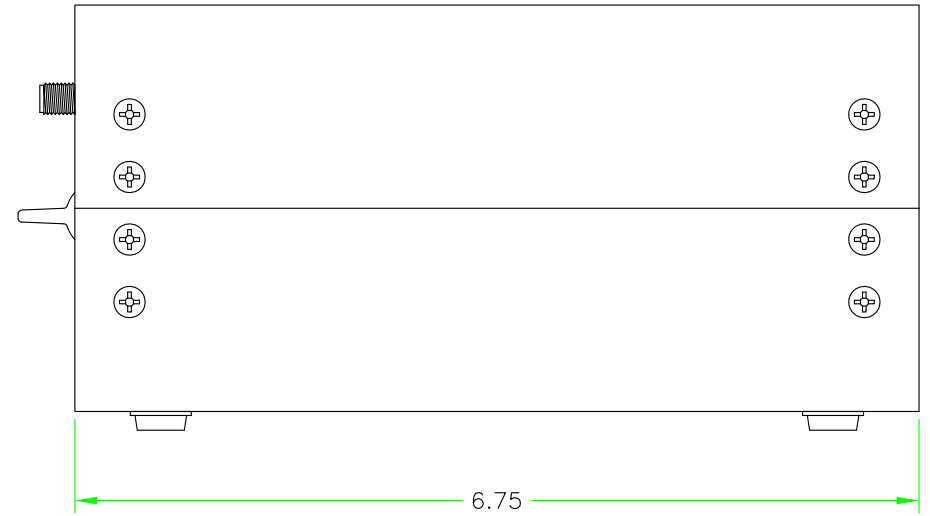
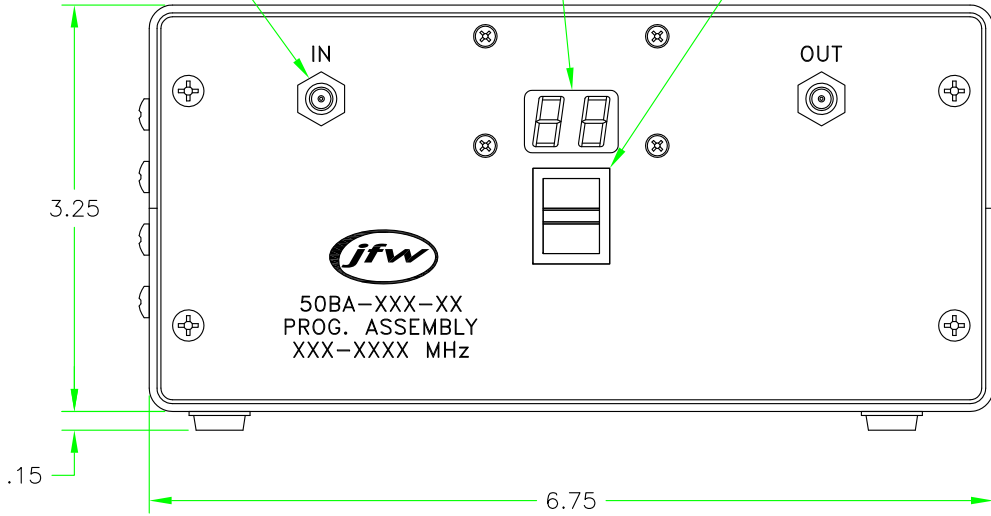


CURRENT ATTENUATION DISPLAYED

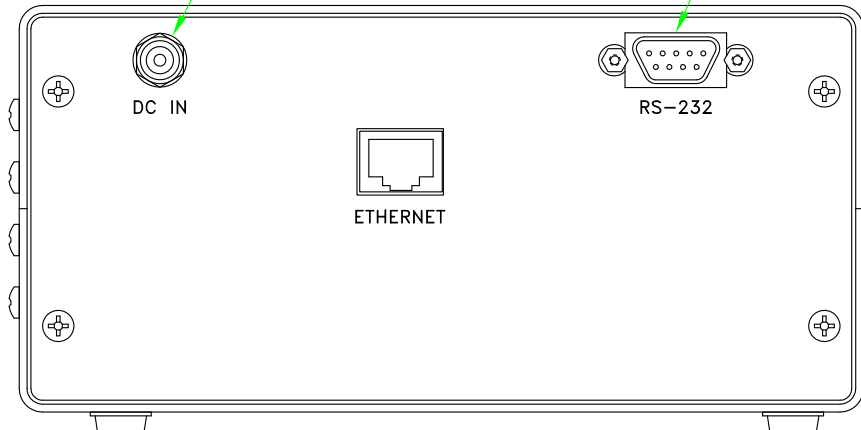
SMA FEMALE 2-PLACES

MOMENTARY SWITCH FOR MANUAL CONTROL  
TAP TO STEP  
HOLD TO JOG

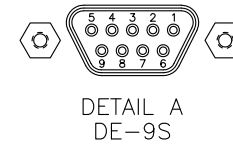


SWITCHCRAFT 712A JACK ACCEPTS .22 Ø PLUG SEE NOTE

DETAIL A



REAR VIEW

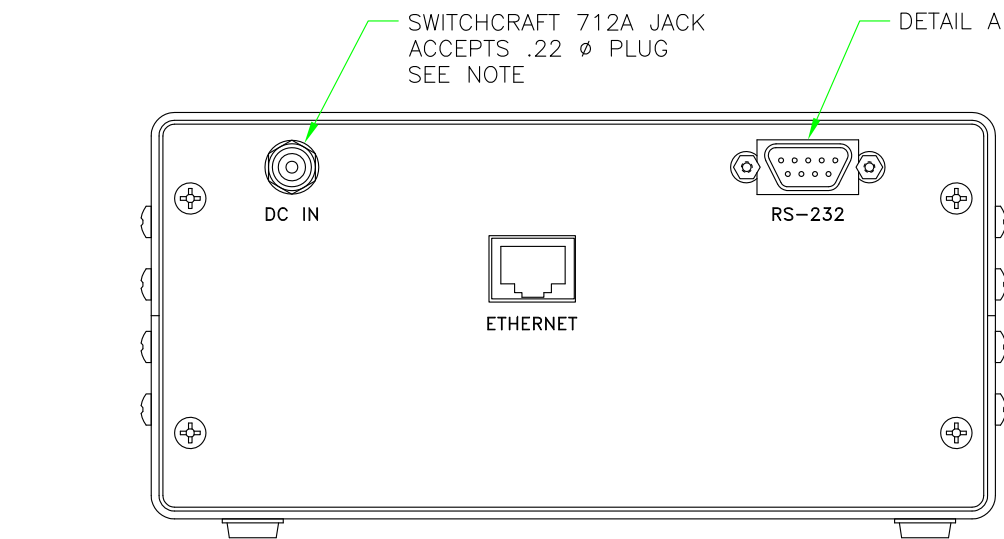
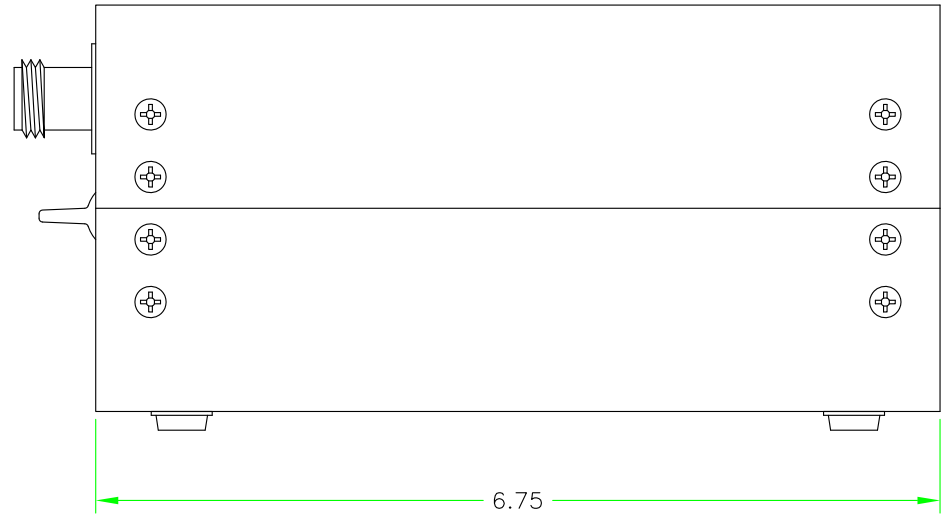
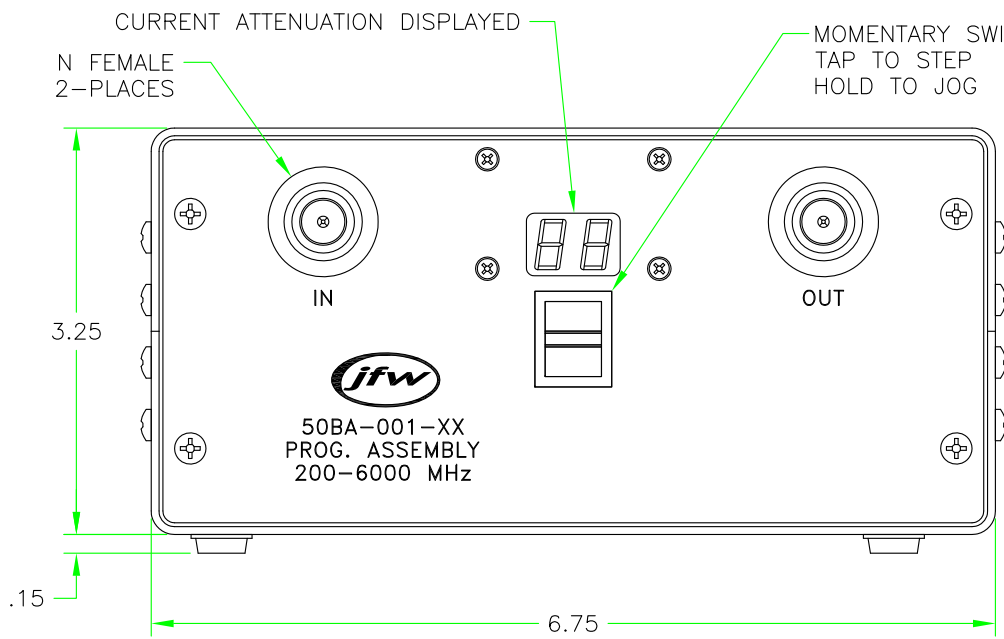


DETAIL A  
DE-9S

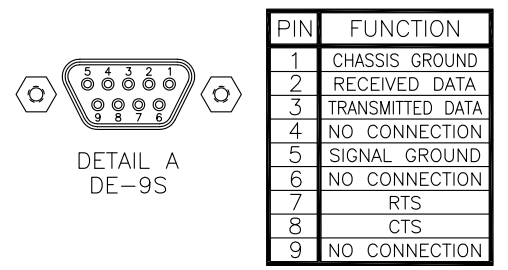
PIN	FUNCTION
1	CHASSIS GROUND
2	RECEIVED DATA
3	TRANSMITTED DATA
4	NO CONNECTION
5	SIGNAL GROUND
6	NO CONNECTION
7	RTS
8	CTS
9	NO CONNECTION

NOTE:  
THIS UNIT IS SUPPLIED WITH A 12 VOLT TRANSFORMER (100-240VAC)

REV	ECN	DATE	BY	APPR	MATERIAL		PROPRIETARY INFORMATION
-	ISSUED	7-1-10	BZ	TEZ	ALUMINUM ALLOY		<b>JFW INDUSTRIES, INC.</b> www.jfwindustries.com PH: 317-887-1340 ALL SURFACES ARE TO BE FREE OF BURRS, PITS, & SCRATCHES TOLERANCES .XX±.010 .XXX±.005 .XX±.5' DWG #
A	18952	8-3-10	BZ	TEZ	FINISH CASE: BLACK PAINT / FRONT & REAR: GRAY PAINT		
B	18972	8-6-10	DTS	TRS	MODEL 50BA-XXX-XX SCALE FULL		
C	19611	1-17-11	DCK	CLK	DESCRIPTION MINI BENCHTOP ATTENUATOR		
D	24240	12-1-14	DTS	TRS	092-6615		
E	24846	1-22-15	JZ	BZ			



REAR VIEW



NOTE:  
THIS UNIT IS SUPPLIED WITH A 12 VOLT TRANSFORMER (100-240VAC)

REV	ECN	DATE	BY	APPR		
-	ISSUED	12-9-10	TEZ	CLK		
A	24240	12-1-14	DTS	TRS		
B	24846	1-22-15	JZ	BZ		

		<b>JFW INDUSTRIES, INC.</b>	
		www.jfwindustries.com PH: 317-887-1340	
MATERIAL	ALUMINUM ALLOY	PROPRIETARY INFORMATION	
FINISH	CASE: BLACK PAINT / FRONT & REAR: GRAY PAINT	ALL SURFACES ARE TO BE FREE OF BURRS, PITS, & SCRATCHES	
MODEL	50BA-001-XX N	SCALE	FULL
DESCRIPTION	MINI BENCHTOP ATTENUATOR	TOLERANCES	.XX±.010 .XXX±.005 .XX±.5'
		DWG #	092-6812