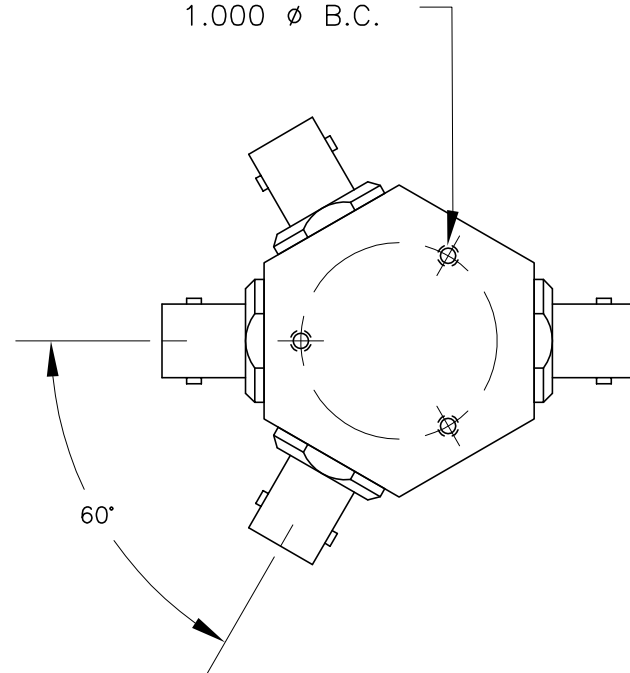



4-40 x .25 DP
 3-PLACES EQUALLY
 SPACED ON A
 1.000 ϕ B.C.



REV	ECN	DATE	BY	APPR	 JFW INDUSTRIES, INC. www.jfwindustries.com PH: 317-887-1340	
-	ISSUED	07-15-10	JZ	TRS		
					MATERIAL	ALUMINUM ALLOY
					FINISH	CHEMFILM TCP
					MODEL	XXPD-XXX
					DESCRIPTION	3 WAY RESISTIVE POWER DIVIDER
					SCALE	FULL
					PROPRIETARY INFORMATION	ALL SURFACES ARE TO BE FREE OF BURRS, PITS, & SCRATCHES
					TOLERANCES	.XX \pm .010 .XXX \pm .005 XX' \pm .5'
					DWG #	092-6646-03