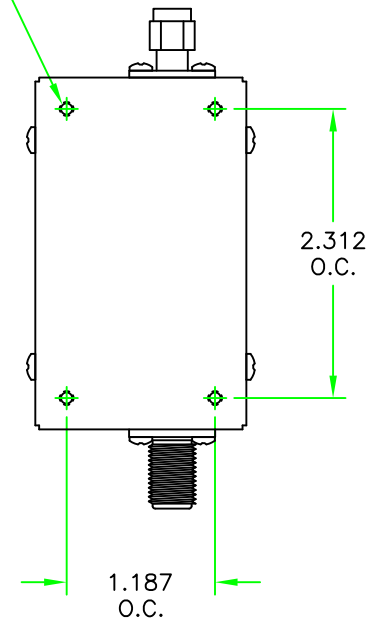


4-40 x .25 DP
4-PLACES



REV	ECN	DATE	BY	APPR	JFW INDUSTRIES, INC.	
-	ISSUED	12-12-08	BZ	TEZ		www.jfwindustries.com PH: 317-887-1340
A	18968	8-06-10	DBC	BAC		
MATERIAL					BRASS	PROPRIETARY INFORMATION
FINISH					NICKEL	ALL SURFACES ARE TO BE FREE OF BURRS, PITS, & SCRATCHES
MODEL					57ZTT-AA SMA M/F F	SCALE FULL
DESCRIPTION					IMPEDANCE MATCHING TRANSFORMER	TOLERANCES .XX±.010 .XXX±.005 .XX±.5
						DWG # 092-6023