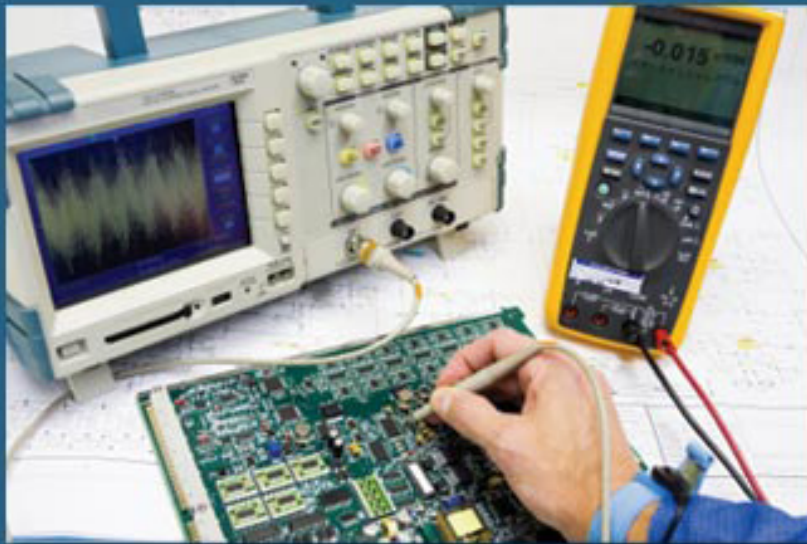


Everyone needs a good, **low-cost, fixed attenuator!**

The new 50FR- series of fixed attenuators is both reliable and affordable, starting at \$12.50 US in a quantity of one (discounts apply at higher quantities).



 [Data Sheet](#)  [Drawing](#)

It operates from DC-3 GHz at 1 Watt average power and is available with SMA connectors (male to female) in 3, 6, 10 or 20 dB values.

JFW Industries

317-887-1340 877-887-4539

sales@jfwindustries.com

www.jfwindustries.com



SPECIFICATION SHEET

JFW MODEL 50FR-XXX

FIXED ATTENUATOR

JFW Industries, Inc.
Phone: 317-887-1340
sales@jfwindustries.com
www.jfwindustries.com

Frequency Range DC-3000 MHz

Impedance 50 Ohms nominal

Attenuation Values 3, 6, 10 or 20 dB

VSWR 1.20:1 maximum

Attenuation Accuracy ± 0.3 dB maximum

RF Input Power 1 Watt average @ +25°C
Derate linearly to 0.5 Watts @ +70°C

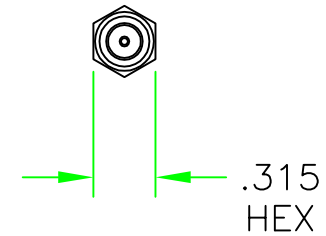
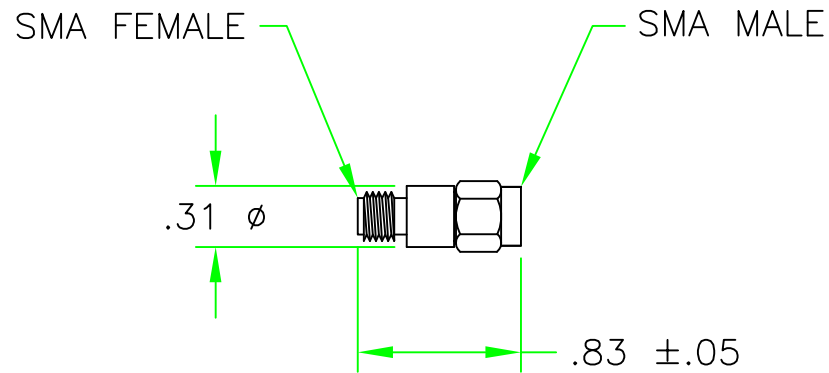
RF Connector SMA

Operating Temperature Range -40°C to +80°C


Materials & Finish
Connectors - - Gold Plated Brass
Contacts - - Gold plated Beryllium Copper

Physical Size See outline drawing:
092-6486

ECR/ECN #	DATE	REV	APPR / DATE	ECR/ECN #	DATE	REV	APPR / DATE
	03/10/2010		CLK 10/28/2010				
19339	10/28/2010	A	CLK 10/28/2010				
20371	07/27/2011	B	CLK 07/27/2011				



* INSERT dB VALUE i.e. 006 = 6dB (1-20 dB)

REV	ECN	DATE	BY	APPR		
-	ISSUED	3-9-10	BZ	SMR	 JFW INDUSTRIES, INC. www.jfwindustries.com PH: 317-887-1340	
A	20374	7-28-11	JZ	TEZ		
					MATERIAL	PROPRIETARY INFORMATION
					FINISH	ALL SURFACES ARE TO BE FREE OF BURRS, PITS, & SCRATCHES
					MODEL	TOLERANCES
					50FR-XXX*	.XX±.010 .XXX±.005 XX'±.5'
					DESCRIPTION	DWG #
					FIXED ATTENUATOR	092-6486