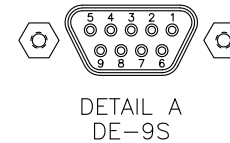
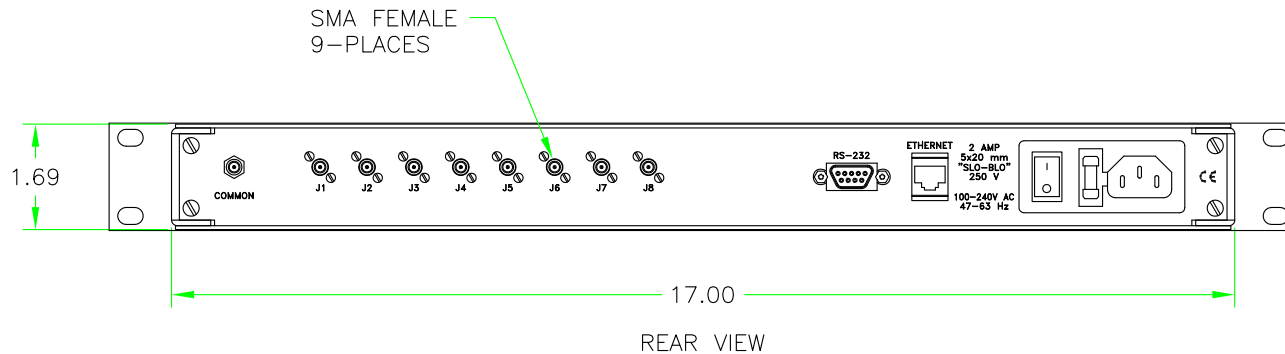
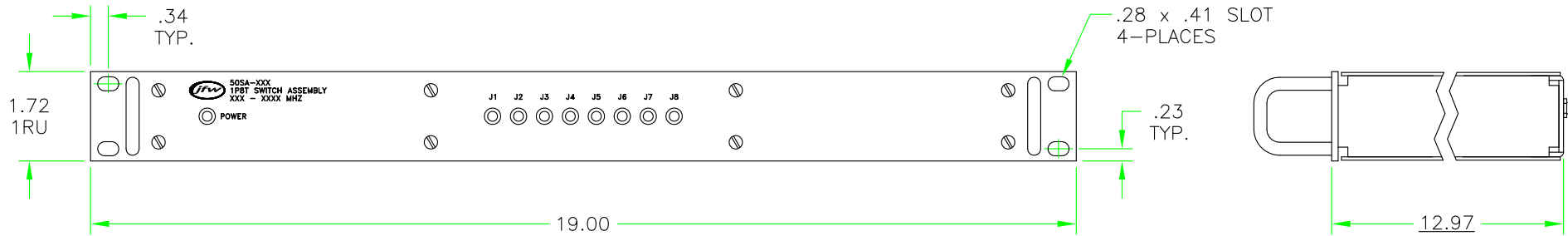


| PIN | FUNCTION |
|-----|------------------|
| 1 | CHASSIS GROUND |
| 2 | RECEIVED DATA |
| 3 | TRANSMITTED DATA |
| 4 | NO CONNECTION |
| 5 | SIGNAL GROUND |
| 6 | NO CONNECTION |
| 7 | RTS |
| 8 | CTS |
| 9 | NO CONNECTION |

| REV | ECN | DATE | BY | APPR | JFW INDUSTRIES, INC. | |
|-----|--------|----------|-----|------|---|--|
| - | ISSUED | 7-14-05 | BZ | TEZ | JFW INDUSTRIES, INC. www.jfwindustries.com PH: 317-887-1340 | |
| A | 11948 | 10-5-05 | TEZ | TEZ | | |
| B | 13148 | 8-7-06 | TEZ | TEZ | | |
| C | 13698 | 12-20-06 | BZ | TEZ | | |
| D | 13720 | 12-29-06 | BZ | TEZ | | |
| E | 24759 | 12-3-14 | DTS | TRS | | |
| F | 24846 | 1-22-15 | JZ | BZ | MATERIAL ALUMINUM ALLOY PROPRIETARY INFORMATION FINISH CHEMFILM TCP / FRONT: BLACK ALL SURFACES ARE TO BE FREE OF BURRS, PITS, & SCRATCHES MODEL 50SA-XXX SCALE 1/2 TOLERANCES DESCRIPTION 1P8T SWITCH ASSEMBLY DWG # 092-4863 | |



| PIN | FUNCTION |
|-----|------------------|
| 1 | CHASSIS GROUND |
| 2 | RECEIVED DATA |
| 3 | TRANSMITTED DATA |
| 4 | NO CONNECTION |
| 5 | SIGNAL GROUND |
| 6 | NO CONNECTION |
| 7 | RTS |
| 8 | CTS |
| 9 | NO CONNECTION |

| REV | ECN | DATE | BY | APPR |
|-----|--------|---------|-----|------|
| - | ISSUED | 1-4-07 | BZ | TEZ |
| A | 24759 | 12-3-14 | DTS | TRS |
| B | 24846 | 1-22-15 | JZ | BZ |



JFW INDUSTRIES, INC.

www.jfwindustries.com

PH: 317-887-1340

| | | |
|-------------|-----------------------------|--|
| MATERIAL | ALUMINUM ALLOY | PROPRIETARY INFORMATION |
| FINISH | CHEMFILM TCP / FRONT: BLACK | ALL SURFACES ARE TO BE FREE OF BURRS, PITS, & SCRATCHES |
| MODEL | 50SA-XXX | SCALE 1/2 |
| DESCRIPTION | 1P8T SWITCH ASSEMBLY | TOLERANCES .XX±.010 .XXX±.005 .XX±.5' DWG # 092-5285 |