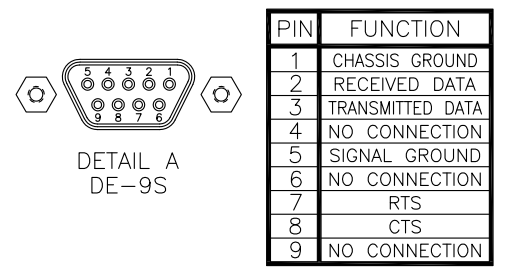


REAR VIEW



NOTE:
THIS UNIT IS SUPPLIED WITH A 12 VOLT TRANSFORMER (100-240VAC)

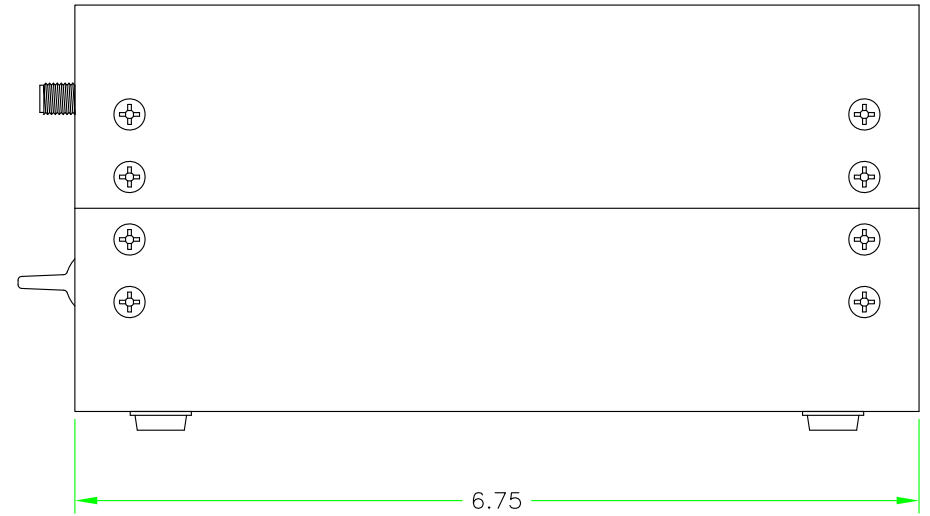
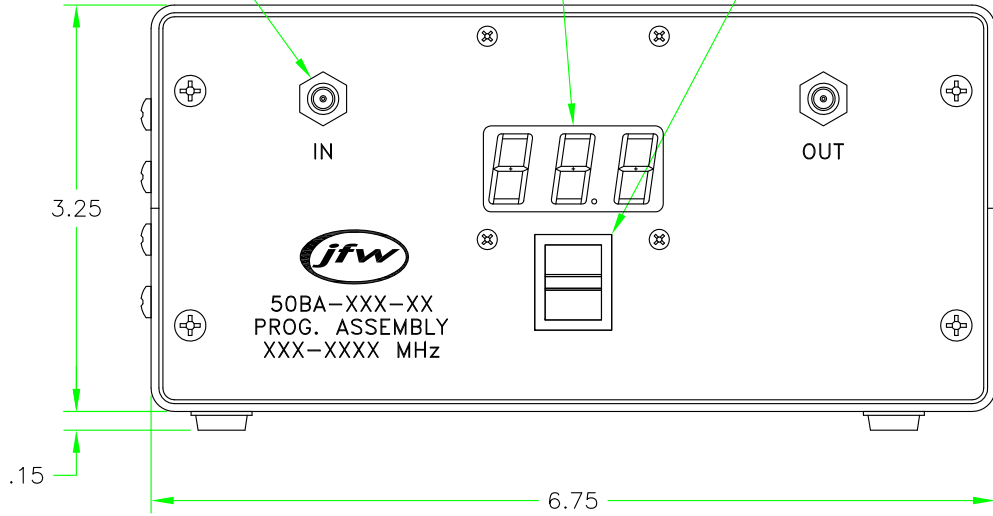
REV	ECN	DATE	BY	APPR		
-	ISSUED	4-25-13	TEZ	TEZ		
A	24240	12-1-14	DTS	TRS		
B	24846	1-22-15	JZ	TEZ		

jfw JFW INDUSTRIES, INC.		PH: 317-887-1340
www.jfwindustries.com		
MATERIAL	ALUMINUM ALLOY	PROPRIETARY INFORMATION
FINISH	CASE: BLACK PAINT / FRONT & REAR: GRAY PAINT	ALL SURFACES ARE TO BE FREE OF BURRS, PITS, & SCRATCHES
MODEL	50BA-XXX-XX N	SCALE FULL
DESCRIPTION	MINI BENCHTOP ATTENUATOR	TOLERANCES .XX±.010 .XXX±.005 .XX±.5'
		DWG # 092-7689

CURRENT ATTENUATION DISPLAYED

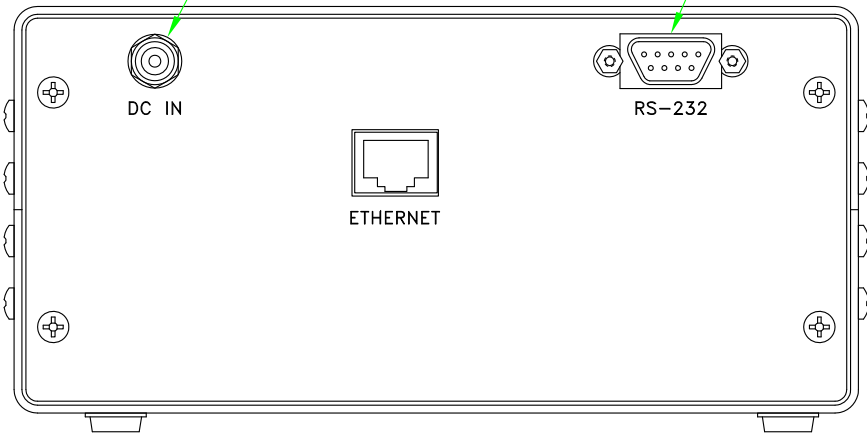
SMA FEMALE 2-PLACES

MOMENTARY SWITCH FOR MANUAL CONTROL
TAP TO STEP
HOLD TO JOG

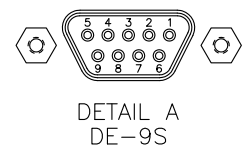


SWITCHCRAFT 712A JACK ACCEPTS .22 Ø PLUG SEE NOTE

DETAIL A



REAR VIEW



PIN	FUNCTION
1	CHASSIS GROUND
2	RECEIVED DATA
3	TRANSMITTED DATA
4	NO CONNECTION
5	SIGNAL GROUND
6	NO CONNECTION
7	RTS
8	CTS
9	NO CONNECTION

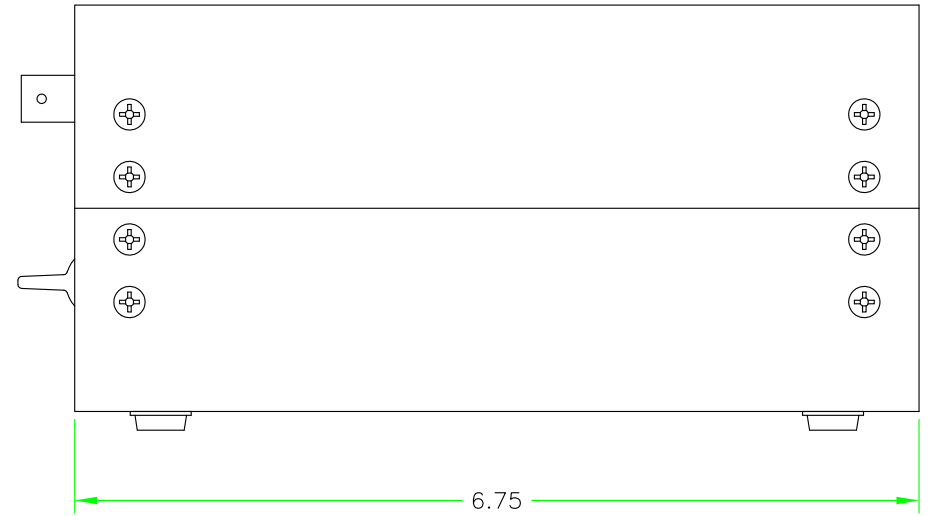
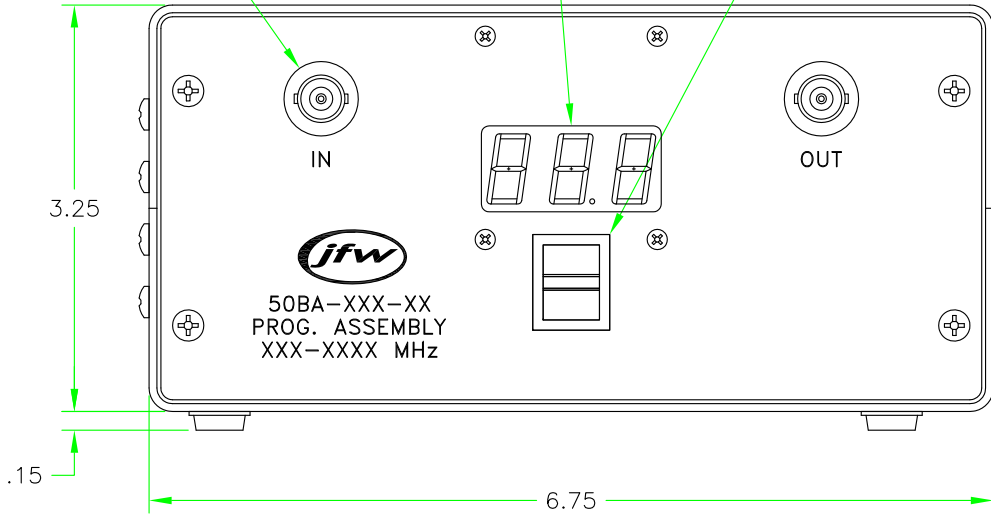
NOTE:
THIS UNIT IS SUPPLIED WITH A 12 VOLT TRANSFORMER (100-240VAC)

REV	ECN	DATE	BY	APPR	JFW INDUSTRIES, INC.	
-	ISSUED	4-26-13	BZ	CLK	JFW INDUSTRIES, INC. www.jfwindustries.com PH: 317-887-1340	
A	24240	12-1-14	DTS	TRS		
B	24846	1-22-15	JZ	TEZ		
MATERIAL					ALUMINUM ALLOY	PROPRIETARY INFORMATION
FINISH					CASE: BLACK PAINT / FRONT & REAR: GRAY PAINT	ALL SURFACES ARE TO BE FREE OF BURRS, PITS, & SCRATCHES
MODEL					50BA-XXX-XX SMA	TOLERANCES .XX±.010 .XXX±.005 .XX±.5'
DESCRIPTION					MINI BENCHTOP ATTENUATOR	DWG # 092-7690

CURRENT ATTENUATION DISPLAYED

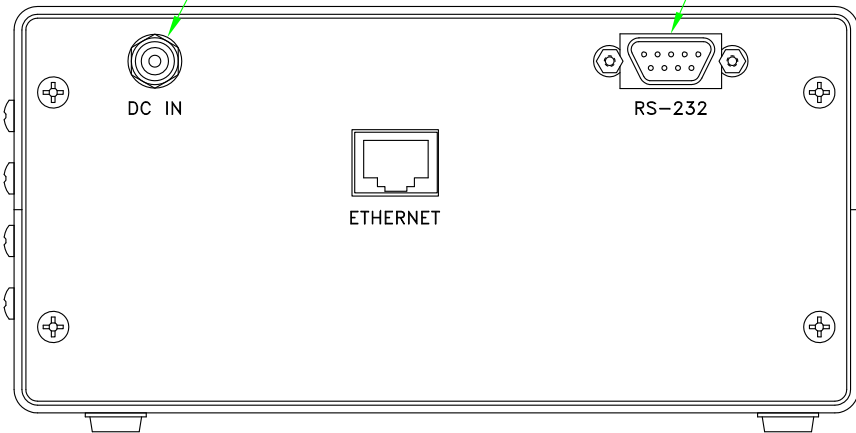
BNC FEMALE 2-PLACES

MOMENTARY SWITCH FOR MANUAL CONTROL
TAP TO STEP
HOLD TO JOG

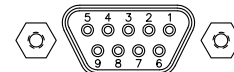


SWITCHCRAFT 712A JACK
ACCEPTS .22 Ø PLUG
SEE NOTE

DETAIL A



REAR VIEW



DETAIL A
DE-9S

PIN	FUNCTION
1	CHASSIS GROUND
2	RECEIVED DATA
3	TRANSMITTED DATA
4	NO CONNECTION
5	SIGNAL GROUND
6	NO CONNECTION
7	RTS
8	CTS
9	NO CONNECTION

NOTE:
THIS UNIT IS SUPPLIED WITH A 12 VOLT TRANSFORMER (100-240VAC)

REV	ECN	DATE	BY	APPR		
-	ISSUED	4-26-13	BZ	CLK		
A	24240	12-1-14	DTS	TRS		
B	24846	1-22-15	JZ	TEZ		

		JFW INDUSTRIES, INC.	
		www.jfwindustries.com PH: 317-887-1340	
MATERIAL	ALUMINUM ALLOY	PROPRIETARY INFORMATION	
FINISH	CASE: BLACK PAINT / FRONT & REAR: GRAY PAINT	ALL SURFACES ARE TO BE FREE OF BURRS, PITS, & SCRATCHES	
MODEL	50BA-XXX-XX BNC	SCALE	FULL
DESCRIPTION	MINI BENCHTOP ATTENUATOR	TOLERANCES	.XX±.010 .XXX±.005 .XX±.5'
		DWG #	092-7691