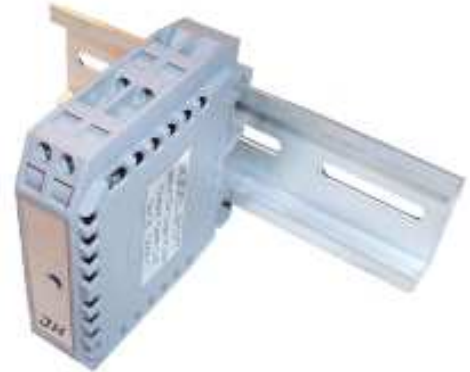


### FEATURES

- Converts TTL (5V) Logic Pulses to Open-Collector Output, or Open-Collector to TTL (Jumper-Selectable)
- Low Cost 2-Channel Design
- Compact DIN-Rail Mount (34 channels per foot)
- Pulse Rates from DC to 100kHz
- DC Power, 7 to 24Vdc
- Full Replacement Warranty



### DESCRIPTION

Model JH377 is a pulse in, pulse out logic converter. Its input accepts 5 volt (TTL-compatible) or open-collector logic pulses (jumper selectable). The output, also jumper selectable, produces either 5 volt or open-collector output pulses in response. DC input coupling (no capacitor) permits operation down to zero Hz. For low level input such as tachometer pickups see our companion product, Model JH376.

Two channels are included in the 0.7 inch (17.8mm) wide enclosure, providing densities of almost 3 channels per inch. DC power may be anywhere between 7 and 24 volts. A green LED indicates power. Model JH377 does not provide input, output or power isolation.

*Application Hint:* The JH377 inverts; that is, each output goes LOW when its input goes HIGH. When needed, single-channel noninverting operation may be provided by connecting Output 1 to Input 2. See instruction manual for details.

### SPECIFICATIONS

#### Inputs (jumper-selectable):

5 volt logic (TTL compatible):  
10K input resistance.

Pull-up resistor: 10K to +5 volts.

#### Outputs (jumper-selectable):

5 volt logic pulses: 500 ohm or greater load resistance. Output is LOW when input is HIGH.

Open collector, NPN: +30V max., 40mA max. load current. "On" voltage drop at 40mA is 1 volt or less. Output is OFF when input is HIGH.

**Frequency Response:** 0-100kHz.

#### Input & Output Jumpers:

Circuit board jumpers select the input and output styles. Snap off cover for access.

#### Power Requirements:

7Vdc min., 24Vdc max.  
10mA quiescent current.

#### Operating Temperature:

-40 to +80°C (-40 to +176°F)

#### Dimensions:

2.47 in. high, 2.52 deep, 0.70 wide  
(63 x 64 x 18 mm)

### HOW TO ORDER

**Model No:** JH377

#### Specify Input Style:

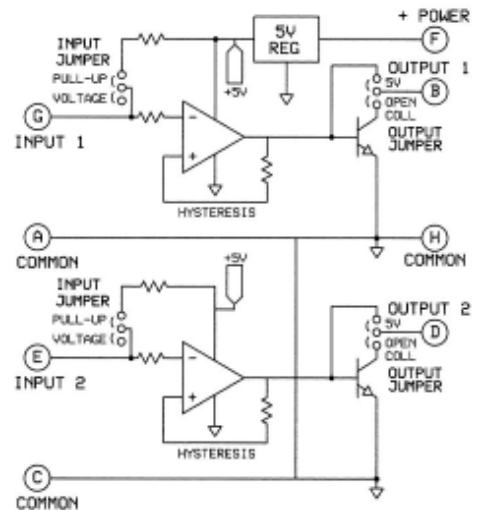
Logic Pulse or Pull-up

#### Specify Output Style:

Logic Pulse or Open Collector  
(Input & Output are field-changeable using jumpers.)

#### Urethane Coating Option:

Specify Option U.



# JH TECHNOLOGY, INC.

SARASOTA, FL USA

(800) 808-0300

www.jhtechnology.com