

2-CHANNEL MAG COIL PULSE AMPLIFIER For Tachometer & Turbine Meter Applications

FEATURES

- Pulse Rates from DC to 20,000 Pulses per Second
- Low Cost 2-Channel Design
- Compact DIN-Rail Mount (34 channels per foot)
- Jumper-Selectable Outputs: Open Collector or 5V Pulses
- DC Power, 7 to 24Vdc
- Full Replacement Warranty

DESCRIPTION

Model JH376 is a compact, economical pulse amplifier for tachometers, turbine flowmeters and similar magnetic coil pickups. Input pulses are amplified and converted to either open-collector or logic-level output pulses, depending on your application. DC input coupling (no capacitor) permits operation down to zero Hz. Sensitivity adjustments, built-in hysteresis and input filtering minimize interference from noise pickup. Specifically designed for magnetic-coil pickups, the JH376 generally will not respond to TTL or other positive-only input pulses. For such applications see our companion product, Model JH377.

Two channels are included in the 0.7 inch (17.8mm) wide enclosure, providing densities of almost 3 channels per inch. DC power may be anywhere between 7 and 24 volts. A green LED indicates power. Because it is intended primarily for use with inherently-isolated magnetic pickups, no isolation is provided.

SPECIFICATIONS

Input Style:

DC coupled. Input must swing both plus & minus, no DC bias or offset.

Input Sensitivity Adjustments:

1-turn trimpots. At low frequencies full cw (max.) 20mV pk-pk, full ccw (min.) 200mV pk-pk.

Frequency Response:

0-20kHz. High frequency filtering compensates for increased tachometer output at higher frequencies. Typical sensitivity at max. setting:

10 Hz	20mV pk-pk
100 Hz	22mV pk-pk
1kHz	60mV pk-pk
10kHz	800mV pk-pk
20kHz	2.2V pk-pk

Open-Collector Outputs:

NPN, 30V max. 40mA max.

current. Max. "on" voltage drop at 40mA is 1 volt.

Logic Pulse Outputs:

0/+5V logic pulse, 500 ohm or greater load.

Output Jumpers:

Circuit board jumpers select the output style. Snap off cover for access.

Power Requirements:

7Vdc min., 24Vdc max.
10mA quiescent current.

Operating Temperature:

-40 to +80°C (-40 to +176°F)

Dimensions:

2.47 in. high, 2.52 deep, 0.70 wide
(63 x 64 x 18 mm)



HOW TO ORDER

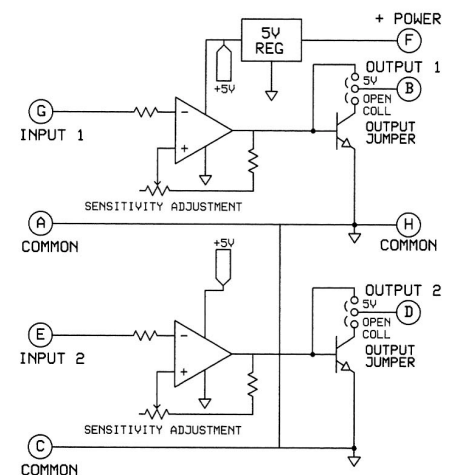
Model No: JH376

Specify Output Style:

Logic Pulse or Open Collector
(field-changeable using jumpers)

Urethane Coating Option:

Specify Option U.



JH TECHNOLOGY, INC.

SARASOTA, FL USA

(800) 808-0300

www.jhtechnology.com