

### FEATURES

- Input Ranges from 10mV to 220 Volts, 1 to 100mA
- Eight Standard Output Choices (Positive Only)
- Fully User-Rangeable
- Input/Output Isolated
- Quick-Check Red/Green Output LEDs
- Industry Standard Pinouts (8-Pin Socket)
- AC or DC Power Options



### DESCRIPTION

Model JH4380W provides an isolated DC output proportional to a DC voltage or current input. Fully user-rangeable, it handles input voltages from millivolts to over 200 volts and currents to 100mA. Eight output ranges include most standard process signals. Applications include amplifying, reducing, scaling or offsetting DC signals and converting currents to voltages or voltages to currents.

Input/output isolation eliminates ground loops and noise problems, and guards against shock hazards when using high-voltage inputs. The input is filtered to minimize high-frequency noise and transients. A low-drift input amplifier provides superior performance with millivolt inputs.

AC or DC power choices are available. For a fixed-range transmitter with additional options see Model JH4300.

### HOW TO ORDER

**Model Number:** JH4380W.

**Power:**

Add suffix -AC for AC power or -DC for DC power. (Example: JH4380W-AC.) Specify 115Vac, 230Vac, 12Vdc or 24Vdc.

**Factory Settings:**

The JH4380W is normally shipped tested but uncalibrated. If you would like us to calibrate it to specific input and output range

settings simply specify on your order. We'll do it at no extra charge. See Specifications on back for range capabilities.

**Other Options:**

Please refer to Model JH4300 fixed range transmitter for a complete selection of options.

## INSTALLATION

The JH4380W plugs into any standard 8-pin circular (“octal”) relay socket. JH Technology offers part # DS008 for DIN-rail or surface mounting (see the Accessories page).

## CONNECTIONS

**Pin 1:** Power (AC or, if DC power option, DC plus).

**Pin 2:** No connection.

**Pin 3:** Power (AC or, if DC power option, DC minus).

**Pin 4:** No connection.

**Pin 5:** Input plus.

**Pin 6:** Input minus.

**Pin 7:** Output plus.

**Pin 8:** Output minus.

## QUICK-CHECK LEDs

Red-green Quick-Check LEDs give a quick indication of the relative output. Red is brighter at the low end, green at high, while at mid-scale both are approximately equal. Red-only indicates offscale low while green-only indicates offscale high.

## SPECIFICATIONS

### Input Range Capabilities:

Any zero-based voltage range from 0/10mV to 0/220V, or current range from 0/1mA to 0/100mA. Range also may be elevated 25% (such as 1/5V or 4/20mA) or suppressed 50% (center-zero such as -10/+10V or -1/+1mA).

### Output Range Capabilities:

Standard output ranges are 0/5V, 1/5V, 0/10V, 2/10V, 0/1mA, 0.2/1mA, 0/20mA and 4/20mA. Negative outputs are not available.

### Accuracy:

+/-0.1% of span or 10 microvolts, whichever is greater, if properly calibrated using precision instruments.

### Adjustability:

Sufficient to achieve all specified input and output ranges.

### Linearity:

+/-0.05% of span or better.

### Response Time:

Under 100 milliseconds.

### Isolation:

Power, 1,500Vac rms (2,100V peak). Input/Output, 1,000Vac rms (1,400V peak).

### Operating Temperature:

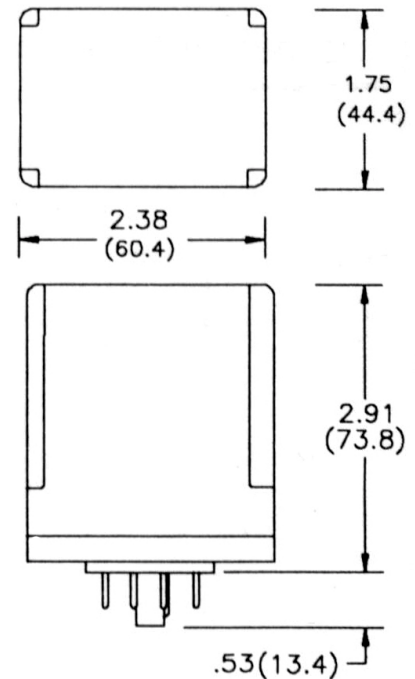
-10 to +60°C (14 to 140°F).

### Temperature Stability:

+/-0.02% of span per °C, or better.

### Power Requirements:

AC, 115 or 230Vrms, 50/60Hz, 2.5V-A. DC, 12 or 24V, 2.5W.



---

---

# JH TECHNOLOGY, INC.

SARASOTA, FL USA  
(800) 808-0300

www.jhtechnology.com  
e-mail: jhtek@jhtechnology.com