

INSTALLATION

Model JH4300C plugs into any standard 8-pin circular (“octal”) relay socket. JH Technology offers part # DS008 for DIN-rail or surface mounting.

CONNECTIONS

Connections to the 8 socket terminals are:

Pin 1: Power (AC or, if DC power option, DC plus).

Pin 2: No connection.

Pin 3: Power (AC or, if DC power option, DC minus).

Pin 4: No connection.

Pin 5: Input plus.

Pin 6: Input minus.

Pin 7: Output plus.

Pin 8: Output minus.

RECALIBRATION

The Model JH4300C is factory calibrated. To check or readjust calibration, proceed as follows:

Connect a precision 4/20mA dc calibration source to the input. Connect a precision DC current meter to the output. To maintain factory-calibration accuracy the input and output should be monitored to 4-1/2 digits or better, with an accuracy of 0.05%.

Set the input to the low end of the range (4.00mA). Adjust the ZERO adjustment for 4.00mA output.

Set the input to full-scale (20.00mA). Adjust the SPAN adjustment for 20.00mA output.

Repeat until both readings are correct.

AVAILABLE OPTIONS

DC Input Model Numbers:

JH4300: DC Voltage or Current Inputs

JH4305: 4/20mA Input with Loop Excitation Supply

JH4300C: 4-20mA Input/4-20mA Output Isolator

JH4380W: Fully User-Rangeable Isolated DC Transmitter

Power:

AC Power: Model JH4300C-AC. 115 or 230Vac options available.

DC Power: Model JH4300C-DC. 12 or 24Vdc options available.

Other Options:

Please refer to Model JH4300 for a complete selection of inputs, outputs and options.

QUICK-CHECK LEDS

Red-green Quick-Check LEDs give a quick indication of the relative output. Red is brighter at the low end, green at high, while at mid-scale both are approximately equal. Red-only indicates offscale low while green-only indicates offscale high.

SPECIFICATIONS

Input:

4/20mA dc. 62 ohms input resistance (1-1/4V drop at 20mA).

Output:

4/20mA dc. 24V output drive capability (1,200 ohms max. at 20mA).

Accuracy:

+/-0.1% of span or better.

Adjustability:

Zero and span each are adjustable approx. +/-15% of span.

Linearity:

+/-0.05% of span or better.

Response Time:

Under 100 milliseconds.

Isolation:

Power, 1,500Vac rms (2,100V peak). Input/Output, 1,000Vac rms (1,400V peak).

Guaranteed Operating Temperature:

-10 to +60°C (14 to 140°F).

Temperature Stability:

+/-0.02% of span per °C, or better.

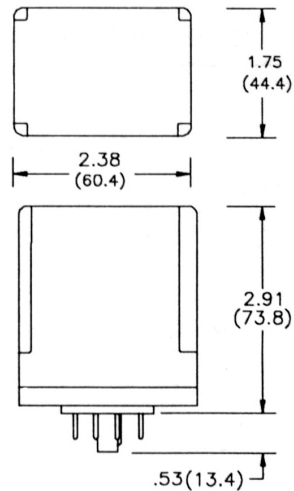
Power Requirements:

AC, 115 or 230Vrms, 50/60Hz, 2.5V-A. DC, 12 or 24V, 2.5W.

SEVEN-YEAR WARRANTY

The JH4300C will be replaced free if it fails due to defects in materials or workmanship within seven years of the date shipped.

JH4300C

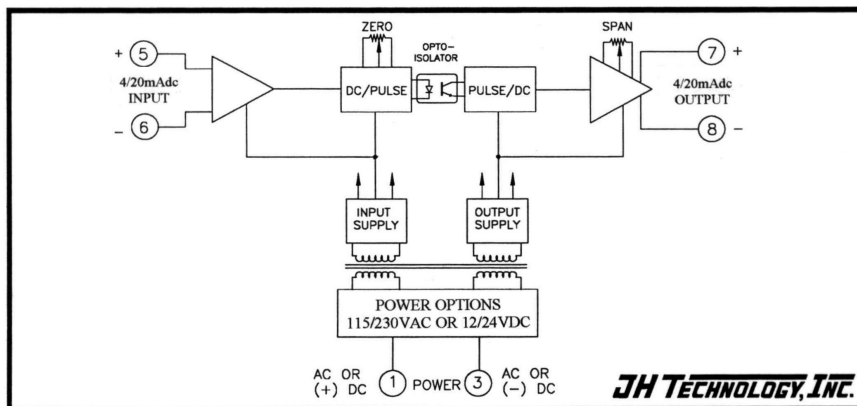


4/20mAdc PROCESS CURRENT ISOLATOR

The Model JH4300C Process Current Isolator takes a 4/20mAdc input and provides an equal but isolated 4/20mA output. Isolation eliminates many ground loop and noise problems, while its 24-volt output drive capability “boosts” the signal to drive high-resistance loops. The input is filtered to minimize high-frequency noise and transients.

Isolation to 1,000Vac rms is provided with linearity better than 0.05%. AC and DC power options are available. Red-green LEDs provide a quick indication of the output signal level.

This transmitter is a low-cost, single-range version of our full-featured Model JH4300 DC Input Transmitter. For other ranges or additional options, please refer to Model JH4300.



JH TECHNOLOGY, INC.

Sarasota, FL USA
(800) 808-0300 or (941) 927-0300
Fax: (941) 925-8774
www.jhtechnology.com