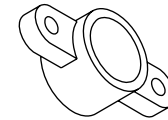
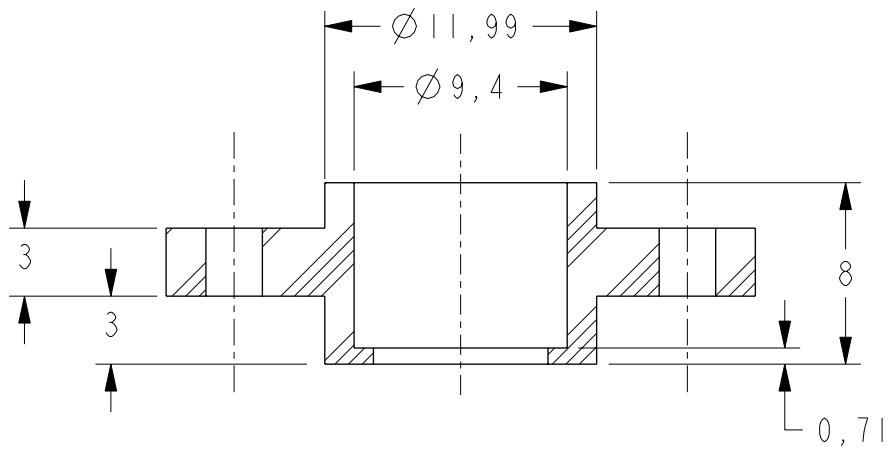
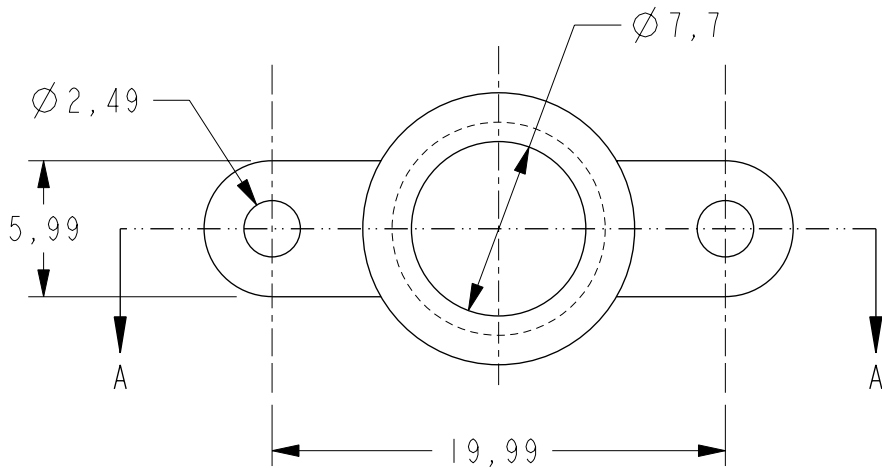


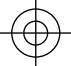

REV.	DESCRIPTION	INITIALS	DATE
A	DRAWING WAS IN ENGLISH UNITS : UPDATED TITLE BLOCK DRAWING NUMBER WAS JLI-MH-7491	JMS	6/15/05



SCALE 1.000

DRAWING IS IN METRIC UNITS



<p align="center">JLI Electronics Inc. P.O. Box 7 Harleysville Pennsylvania 19438</p>		<p>.0 = ± .020 .00 = ± .010 .000 = ± .005 angular ± 1/2°</p>		
		<p>TOL. UNLESS OTHERWISE SPEC.</p>		
<p>DRAWN: JMS</p>	<p>DATE: 05-Mar-05</p>	<p>CHECKED:</p>	<p>DATE:</p>	<p>THIRD ANGLE PROJECTION</p>  
<p>APPROVED:</p>		<p>DATE:</p>		<p>ORDER:</p>
<p>DESCRIPTION: RUBBER MIC HOLDER</p>			<p>DRAWING: JLI-CH009</p>	<p>REV. A</p>
<p>VENDOR: SEE NOTE</p>	<p>MATL: 55 +/-5 DURO.</p>	<p>WEIGHT-KGS:</p>	<p>SCALE: 3.000</p>	<p>SHEET SIZE</p>