

LEYBOLD  
VACUUM PRODUCTS INC.

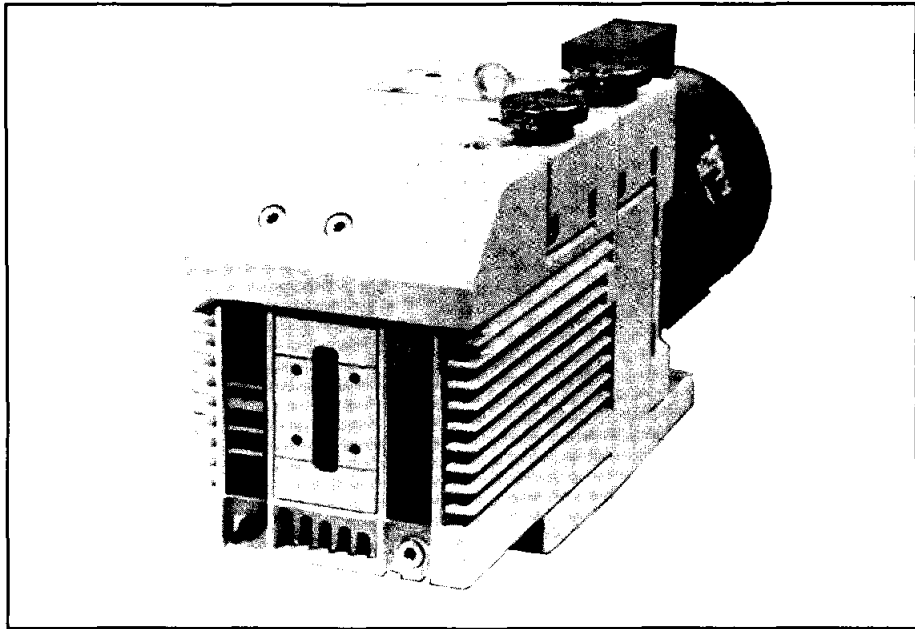
Contact your nearest Leybold Vacuum Products, Inc. sales and service office for telephone orders, technical information and service assistance.



For your convenience, we accept MasterCard and VISA charge accounts.



**TRIVAC® BCS Rotary Vane Pumps**  
Models D40BCS, D65BCS



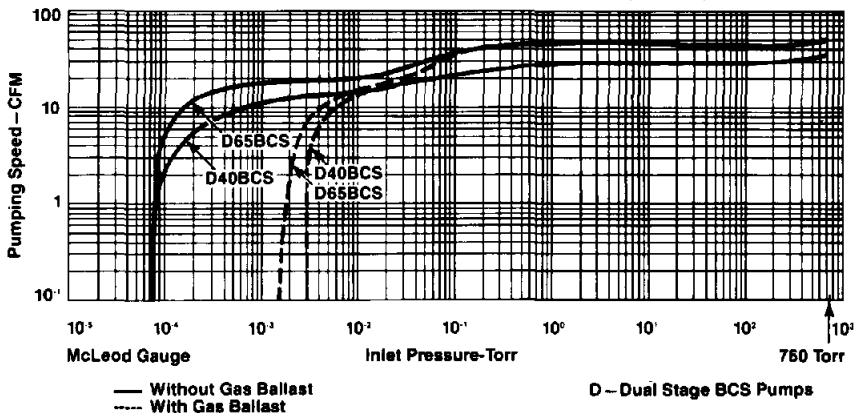
**Technical Data**

Performance Characteristics	D40BCS	D65BCS
Nominal Displacement.....60 Hz (50 Hz) CFM	32.5 (27.1)	53.0 (44.2)
Pumping Speed.....60 Hz (50 Hz) CFM	28.3 (23.6)	45.9 (38.3)
Ultimate Partial Pressure with Gas Ballast Closed.....Torr	$<1 \times 10^{-4}$	$<1 \times 10^{-4}$
Ultimate Total Pressure with Gas Ballast Open.....Torr	$<3.8 \times 10^{-3}$	$<3.8 \times 10^{-3}$
Water Vapor Tolerance.....Torr	30	30
Oil Capacity, Minimum.....qt	1.8	2.1
Oil Capacity, Maximum.....qt	2.7	3.4
Motor Power.....HP	3	3
Pump Rotational Speed (Nominal).....RPM	1800	1800
Weight.....lb	184	203
Noise Level (Max) at Three Feet with Gas Ballast Closed.....dB(A)	57	57
Noise Level (Avg) at Three Feet with Gas Ballast Open.....dB(A)	59	59

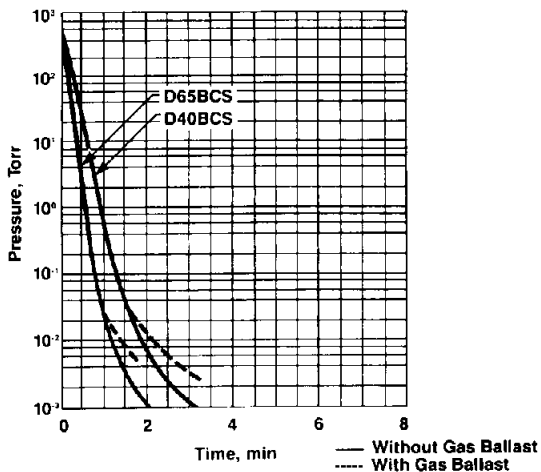
Note: To determine liters per minute Nominal Displacement multiply CFM by 28.3.

Performance Curves

Pumping Speed Curves

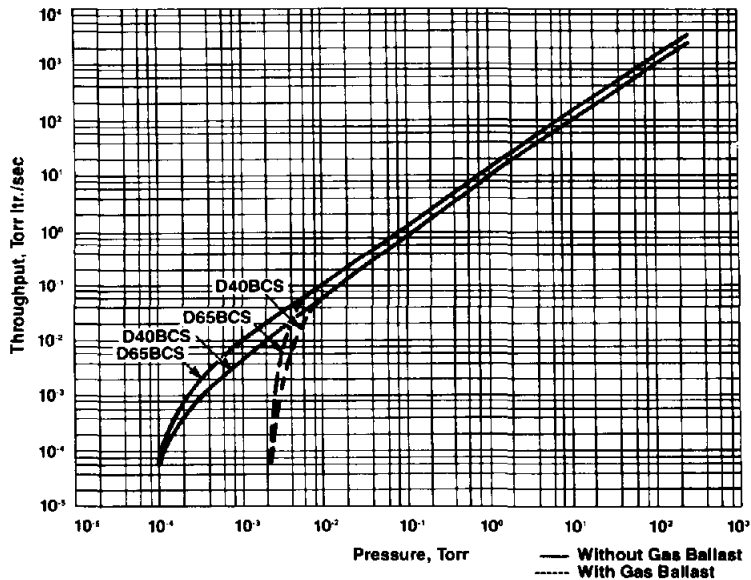


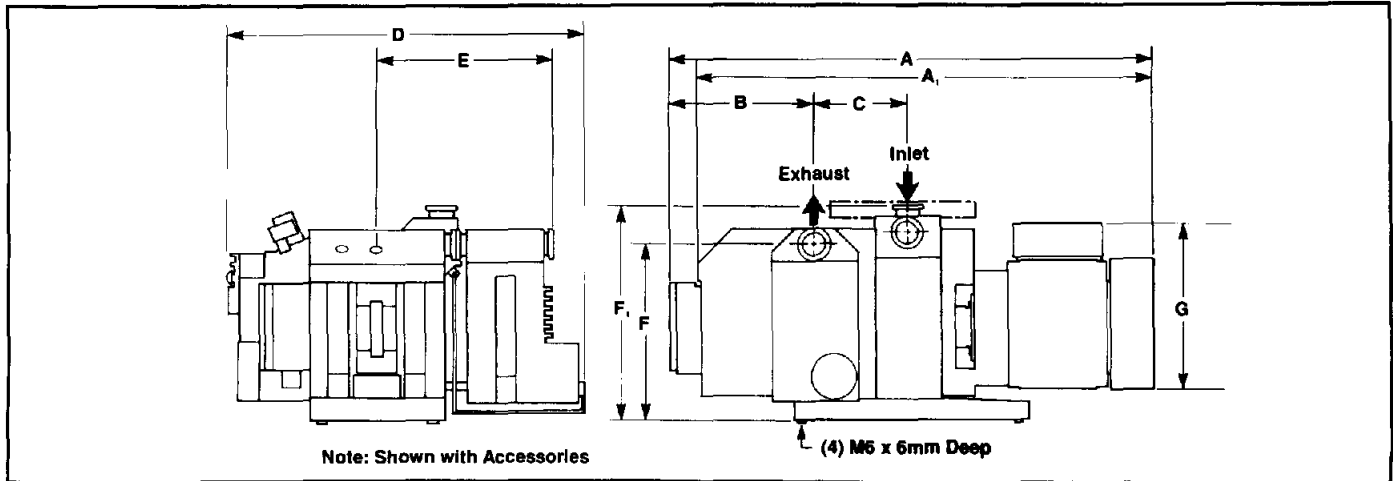
Pump Down Time Curves



Pump down time curve for 100-ltr. vessel

Throughput Curves





**Dimensional Data**

Dimensions, Inches (mm)

Model	Flange	A	A <sub>1</sub> *	B	C	D	E	F	F <sub>1</sub>	G
D40BCS	40KF	32 <sup>3</sup> / <sub>8</sub> (823)	30 <sup>3</sup> / <sub>8</sub> (772)	7 <sup>5</sup> / <sub>8</sub> (186)	6 <sup>1</sup> / <sub>32</sub> (166)	25 (635)	12 <sup>1</sup> / <sub>4</sub> (311)	12 <sup>2</sup> / <sub>16</sub> (309)	15 (381)	13 <sup>1</sup> / <sub>8</sub> (333)
D65BCS	40KF	35 <sup>3</sup> / <sub>8</sub> (899)	33 <sup>3</sup> / <sub>8</sub> (848)	10 <sup>3</sup> / <sub>8</sub> (246)	6 <sup>1</sup> / <sub>32</sub> (166)	25 (635)	12 <sup>1</sup> / <sub>4</sub> (311)	12 <sup>2</sup> / <sub>16</sub> (309)	15 (381)	13 <sup>1</sup> / <sub>8</sub> (333)

\* Maximum length – sizes vary with motor size.

**Ordering Information**

Model	HP	Voltage (AC)	Freq. (Hz)	Phase (Ø)	Wired For	Catalog Number	
						Hydrocarbon Oil	PFPE Oil
D40BCS 32.5 CFM (920 ltr/min)	3	200-230/460 200-220/380	60 50	3	- -	91388-2	91389-2
D65BCS 53.0 CFM (1500 ltr/min)	3	200-230/460 200-220/380	60 50	3 3	- -	91398-2	91399-2
D40BCS D65BCS		Replacement Inner Pump Module				11294-KIT 11295-KIT	11294-1-KIT 11295-1-KIT
D40-65BCS		Pump Gasket Set					19732

1) Pumping capacity indicated under models above are for 60 cycle motors.

**Pumping Capacities for 50 Cycle Motors**

TRIVAC D models	Nominal Speed (volume flow rate)		
	m <sup>3</sup> /h	ltr/min	CFM
D16BCS	18.9	314	11.13
D25BCS	29.5	490	17.38
D40BCS	46.0	764	27.09
D65BCS	75.0	1245	44.18