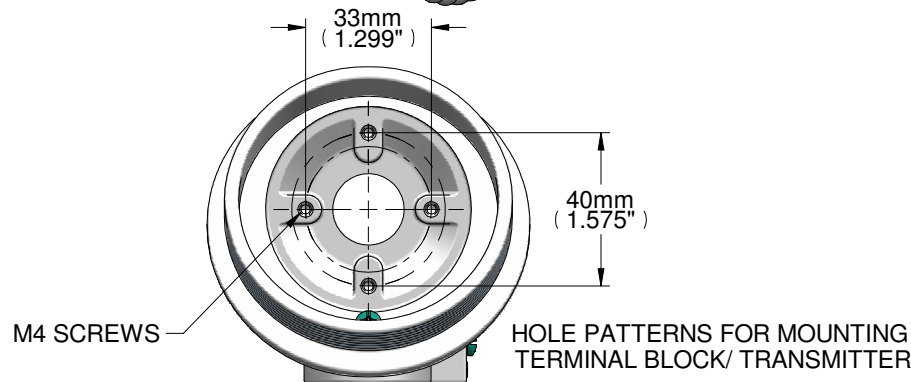
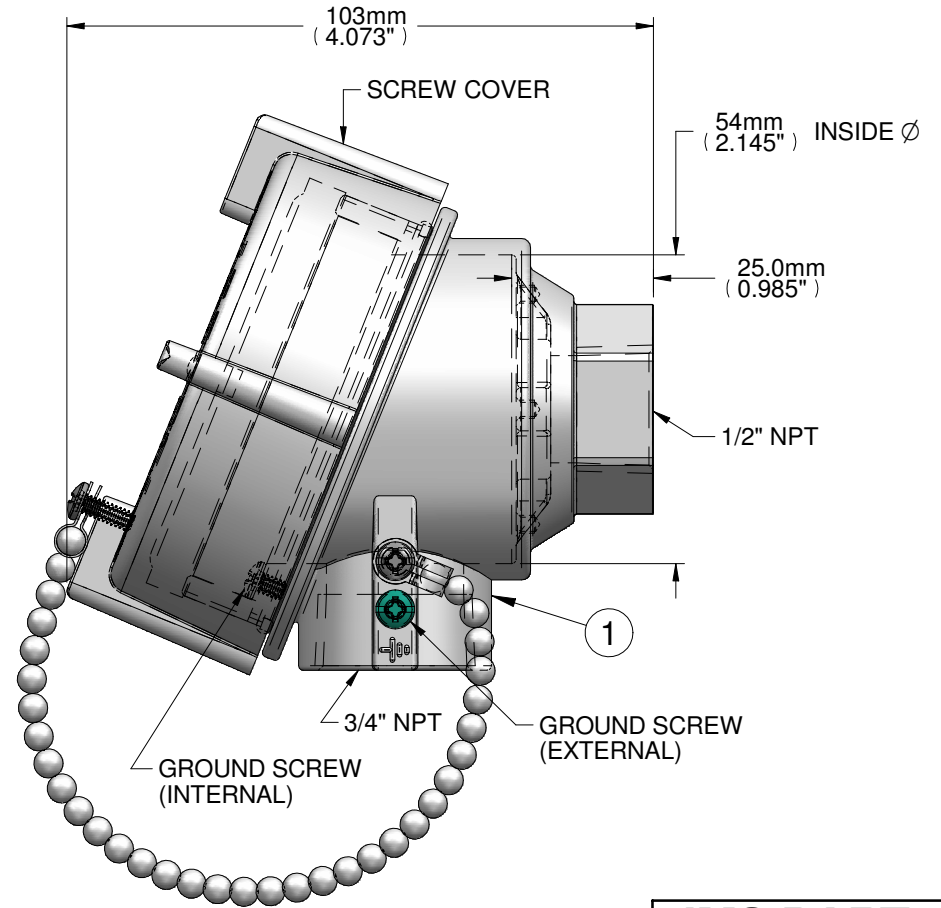


FM / CSA: Class I, Div I Groups B, C, D
Class II, III, Div I Groups E, F, G
Type NEMA 4X IP66
Ta = -50°C to 125°C



JMS PART #
6ISS

JMS SOUTHEAST INCORPORATED CERTIFIES THIS DRAWING IS IN ACCORDANCE WITH JMS SOUTHEAST INCORPORATED ENGINEERING SPECIFICATIONS AND ACCURATELY REPRESENTS THE EQUIPMENT FURNISHED. THIS DRAWING IS THE SOLE PROPERTY OF JMS SE, AND MUST BE RETURNED UPON DEMAND IT MAY NOT BE REPRODUCED NOR THE INFORMATION CONTAINED THEREIN USED WITHOUT THE WRITTEN PERMISSION OF JMS SOUTHEAST INCORPORATED

Company Name:		JMS-SE HEADS	
Reference Data:	Drawing #:		
TOLERANCE TABLE:		Approvals	Initials
PROBE (L): 0-48" ±1/8"		Drafting	Date
48"-144" ±1/4"			
144"+ -1"/+2"			
WIRE (L): $-24"$ -1/2"/+1"		Engineering	Second
>24" -1/2"/+2"			
PROT. TUBE (P&U): ±1/4"			
FRACTIONAL DIM: ±1/8"		JMS SOUTHEAST, INC.	
DECIMAL DIM:		Temperature Measurement	
XX ±0.10"		105 Temperature Lane	
XXX ±0.010"		Statesville, North Carolina 28677	
XXXX ±0.005"		Phone: (704) 873-1835	
UNLESS STATED OTHERWISE		Fax: (704) 878-6166	
		www.jms-se.com	
		Email: sensors@jms-se.com	
		REV. 4-10-2009	

DESCRIPTION

1 HEAD, EXPLOSION PROOF, NEMA 4X, 316 STAINLESS STEEL, SCREW COVERED CAP & CHAIN,, 3/4" X 1/2" FNPT, BUNA N O-RING