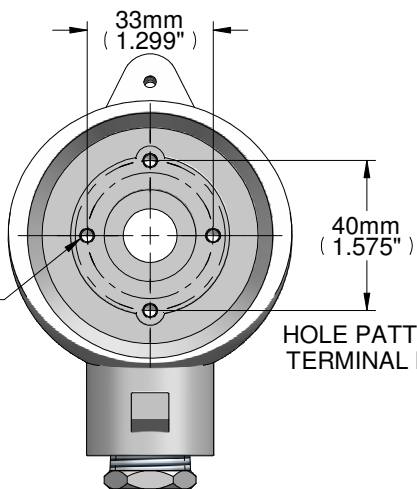


Corrosion resistant  
Moisture resistant  
Dust resistant  
Durable  
NEMA 4  
Max temp rating 150°C

1

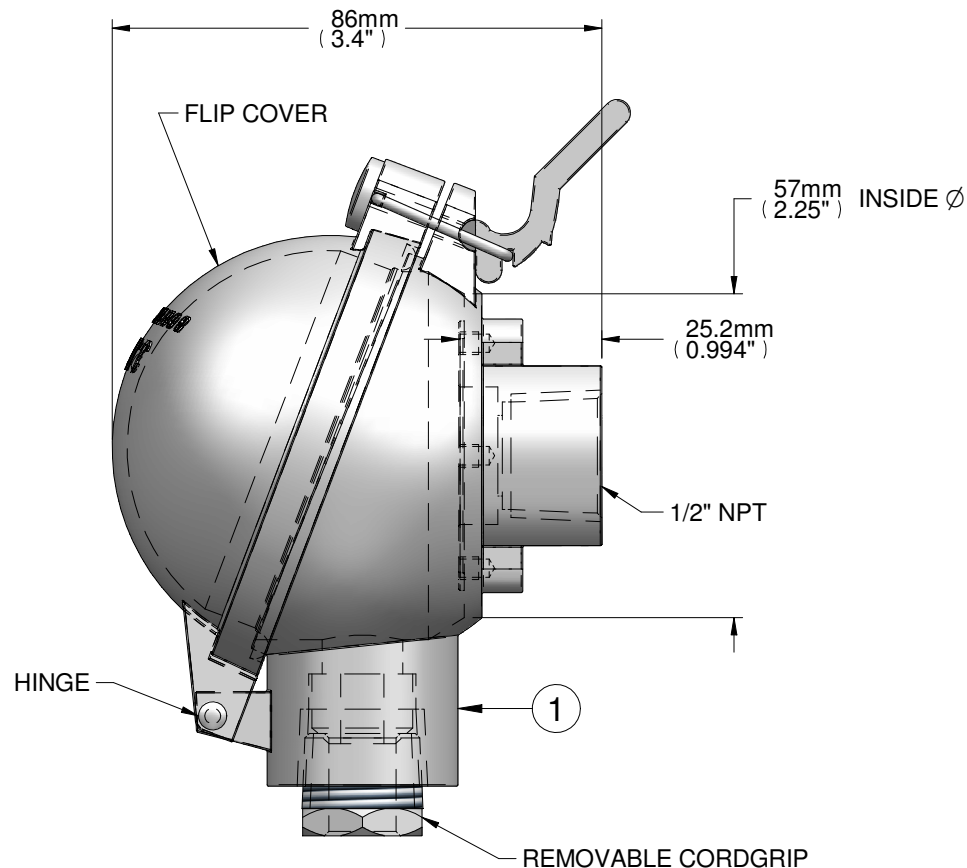


M4 SCREWS

HOLE PATTERNS FOR MOUNTING  
TERMINAL BLOCK/ TRANSMITTER

DESCRIPTION

1 HEAD, HINGED COVER, ALUMINUM, 1/2" X 1/2" FNPT WITH REMOVABLE CORDGRIP,  
NEMA 4, PAINTED SILVER, RUBBER GASKET



REMOVABLE CORDGRIP

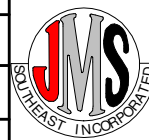
1

**JMS PART #**  
**6L**

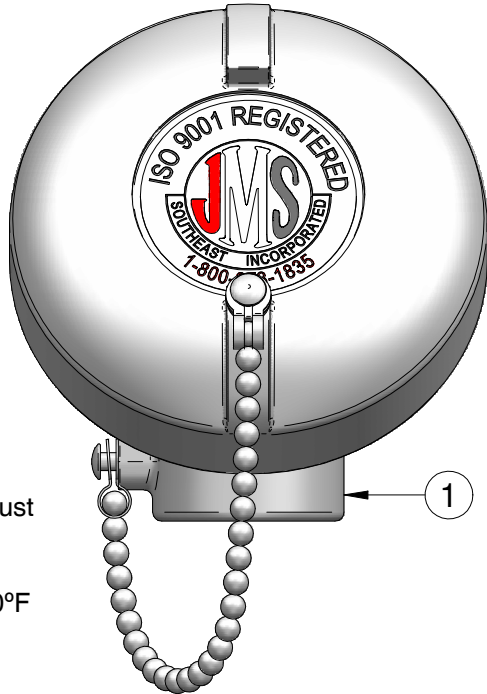
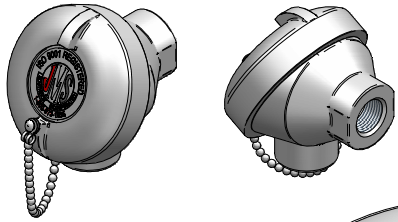
JMS SOUTHEAST INCORPORATED CERTIFIES THIS DRAWING IS IN ACCORDANCE WITH JMS SOUTHEAST INCORPORATED ENGINEERING SPECIFICATIONS AND ACCURATELY REPRESENTS THE EQUIPMENT FURNISHED. THIS DRAWING IS THE SOLE PROPERTY OF JMS SE, AND MUST BE RETURNED UPON DEMAND IT MAY NOT BE REPRODUCED NOR THE INFORMATION CONTAINED THEREIN USED WITHOUT THE WRITTEN PERMISSION OF JMS SOUTHEAST INCORPORATED

Company Name:		<b>JMS-SE HEADS</b>	
Reference Data:	Drawing #:		

TOLERANCE TABLE:	Approvals	Initials	Date
PROBE (L): 0-48" ±1/8"	Drafting		
48"-144" ±1/4"			
144" + -1"/+2"			
WIRE (L): <24" -1/2"/+1"	Engineering		
>24" -1/2"/+2"			
PROT. TUBE (P&U): ±1/4"			
FRACTIONAL DIM: ±1/8"	Second		
DECIMAL DIM:			
XX ±0.10"			
XXX ±0.010"	UNLESS STATED OTHERWISE		
XXXX ±0.005"			

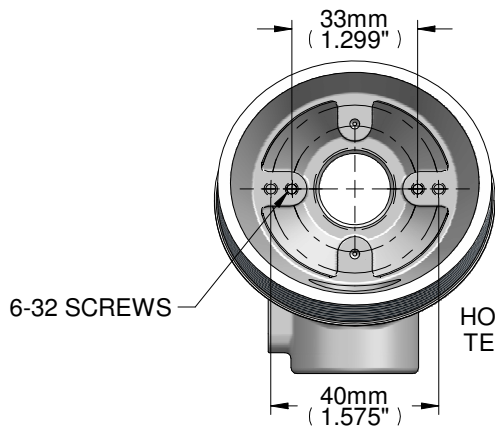


**JMS SOUTHEAST, INC.**  
Temperature Measurement  
105 Temperature Lane  
Statesville, North Carolina 28677  
Phone: (704) 873-1835  
Fax: (704) 878-6166  
www.jms-se.com  
Email: sensors@jms-se.com



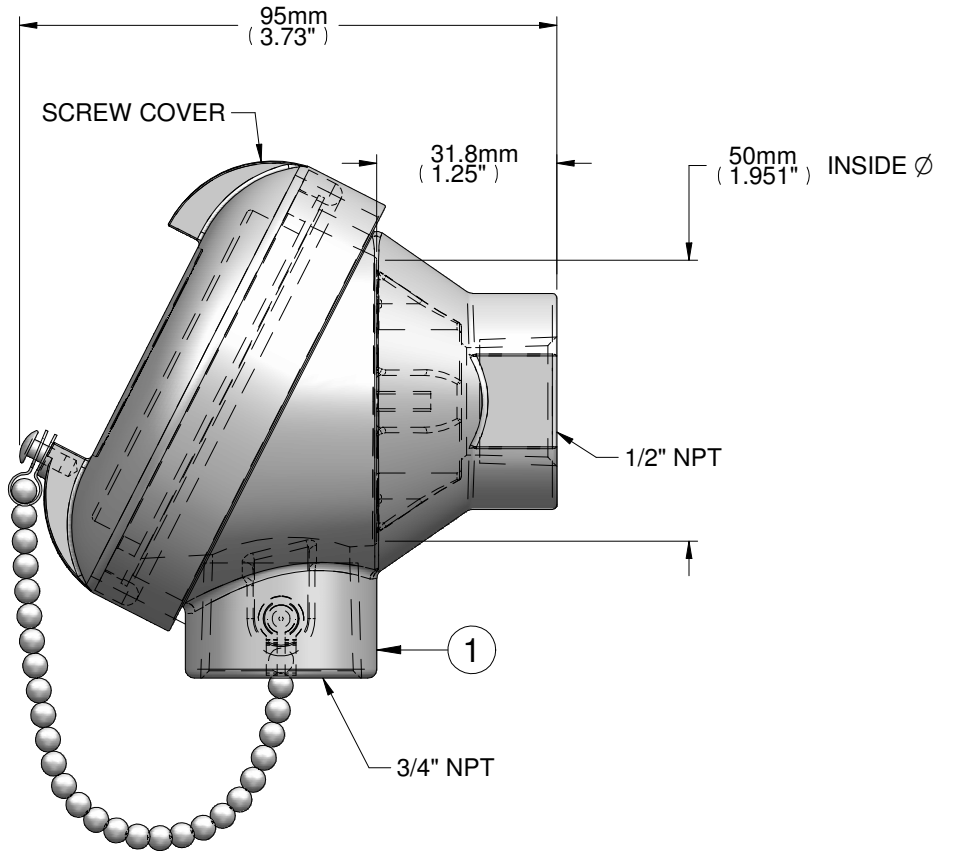
Corrosion resistant  
Moisture resistant Dust  
resistant Durable  
NEMA 4  
Max temp rating 500°F

1



6-32 SCREWS

HOLE PATTERNS FOR MOUNTING  
TERMINAL BLOCK/ TRANSMITTER



SCREW COVER

31.8mm  
(1.25")

50mm  
(1.951") INSIDE Ø

1/2" NPT

3/4" NPT

1

**JMS PART #**  
**6M**

JMS SOUTHEAST INCORPORATED CERTIFIES THIS DRAWING IS IN ACCORDANCE WITH JMS SOUTHEAST INCORPORATED ENGINEERING SPECIFICATIONS AND ACCURATELY REPRESENTS THE EQUIPMENT FURNISHED. THIS DRAWING IS THE SOLE PROPERTY OF JMS SE, AND MUST BE RETURNED UPON DEMAND IT MAY NOT BE REPRODUCED NOR THE INFORMATION CONTAINED THEREIN USED WITHOUT THE WRITTEN PERMISSION OF JMS SOUTHEAST INCORPORATED

Company Name:			
<b>JMS-SE HEADS</b>			
Reference Data:		Drawing #:	

TOLERANCE TABLE:	Approvals	Initials	Date
PROBE (L): 0-48" ±1/8"	Drafting		
4 8"-144" ±1/4"			
144" + -1" / +2"			
WIRE (L): <math>-24" </math> -1/2" / +1"	Engineering		
>24" -1/2" / +2"			
PROT. TUBE (P&U): ±1/4"			
FRACTIONAL DIM: ±1/8"	Second		
DECIMAL DIM:			
XX ±0.10"			
XXX ±0.010"			
X,XXX ±0.005"	UNLESS STATED OTHERWISE		

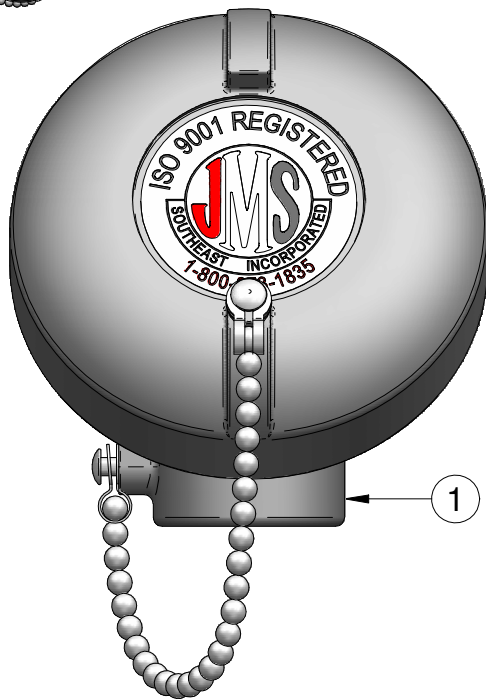
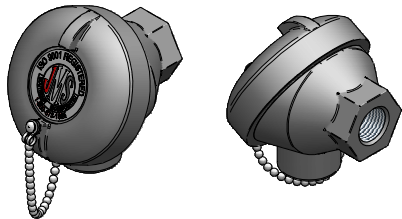


**JMS SOUTHEAST, INC.**  
Temperature Measurement  
105 Temperature Lane  
Statesville, North Carolina 28677  
Phone: (704) 873-1835  
Fax: (704) 878-6166  
www.jms-se.com  
Email: sensors@jms-se.com

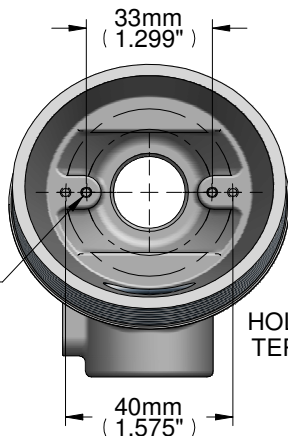
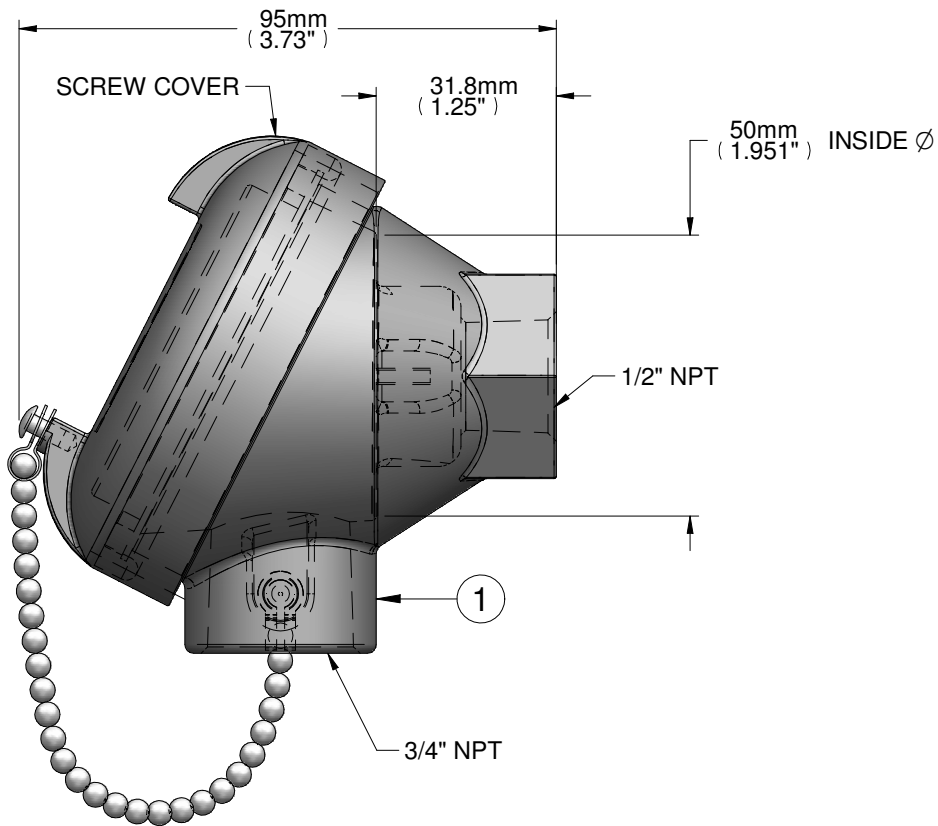
REV. 4-10-2009

**DESCRIPTION**

1 HEAD, GENERAL PURPOSE, POLISHED ALUMINUM, SCREW COVERED CAP & CHAIN, 1/2" X 3/4" FNPT, SILICONE GASKET, WEATHER TIGHT SEAL, NEMA 4



Corrosion resistant  
 Moisture resistant  
 Dust resistant  
 Durable paint as a rust  
 preventative finish  
 NEMA 4  
 Max temp rating 500°F



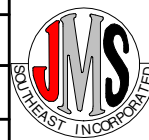
HOLE PATTERNS FOR MOUNTING  
 TERMINAL BLOCK/ TRANSMITTER

**JMS PART #**  
**6N**

JMS SOUTHEAST INCORPORATED CERTIFIES THIS DRAWING IS IN ACCORDANCE WITH JMS SOUTHEAST INCORPORATED ENGINEERING SPECIFICATIONS AND ACCURATELY REPRESENTS THE EQUIPMENT FURNISHED. THIS DRAWING IS THE SOLE PROPERTY OF JMS SE, AND MUST BE RETURNED UPON DEMAND IT MAY NOT BE REPRODUCED NOR THE INFORMATION CONTAINED THEREIN USED WITHOUT THE WRITTEN PERMISSION OF JMS SOUTHEAST INCORPORATED

Company Name:		<b>JMS-SE HEADS</b>	
Reference Data:	Drawing #:		

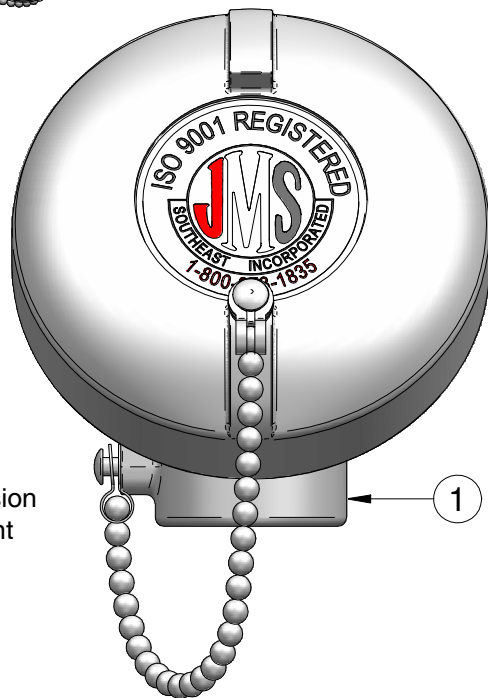
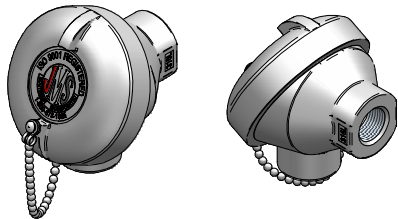
TOLERANCE TABLE:	Approvals	Initials	Date
PROBE (L): 0-48" ±1/8" 4 8"-144" ±1/4" 144" + -1"/+2"	Drafting		
WIRE (L): <24" -1/2"/+1" >24" -1/2"/+2"			
PROT. TUBE (P&U): ±1/4" FRACTIONAL DIM: ±1/8" DECIMAL DIM: ±0.10" XXX ±0.010" XXXX ±0.005" UNLESS STATED OTHERWISE	Engineering		
	Second		



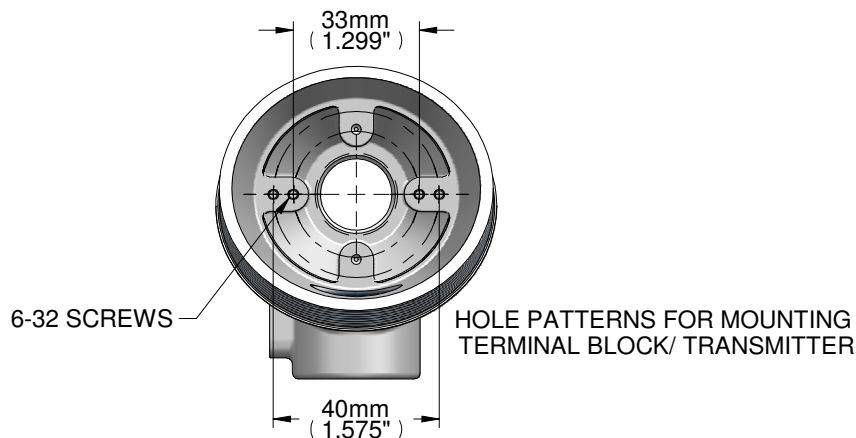
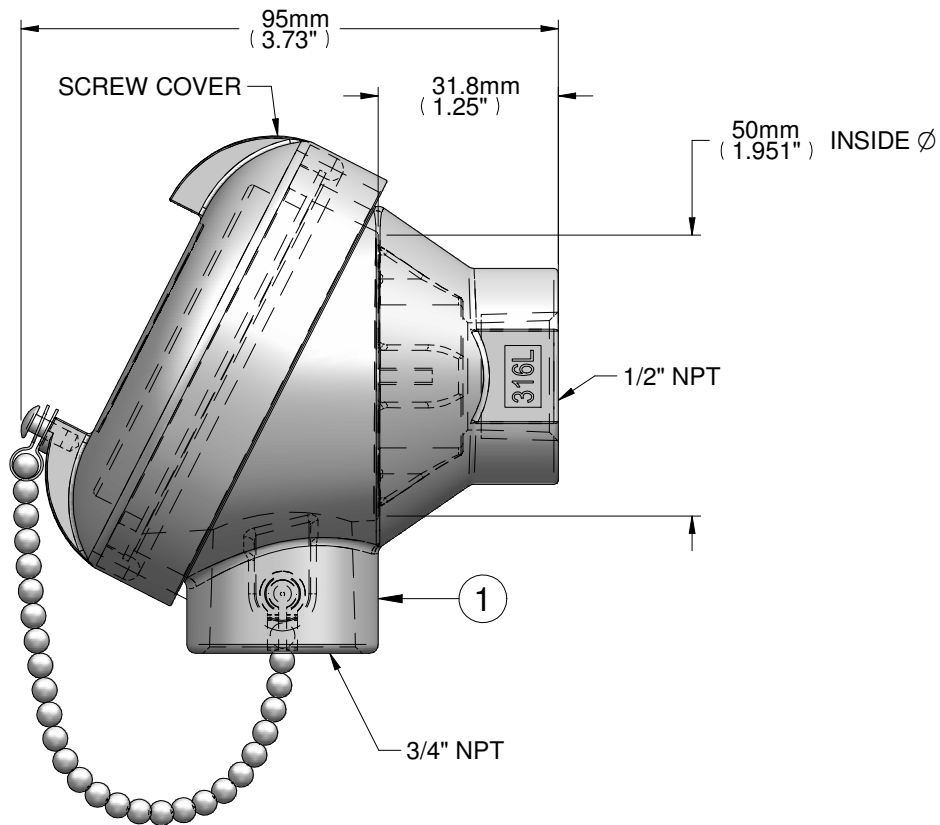
**JMS SOUTHEAST, INC.**  
 Temperature Measurement  
 105 Temperature Lane  
 Statesville, North Carolina 28677  
 Phone: (704) 873-1835  
 Fax: (704) 878-6166  
 www.jms-se.com  
 Email: sensors@jms-se.com

DESCRIPTION

1 HEAD, GENERAL PURPOSE, PAINTED CAST IRON, SCREW COVERED W/ CAP & CHAIN, 1/2" X 3/4" FNPT, SILICONE GASKET, WEATHER TIGHT SEAL, NEMA 4



Chemical resistant  
Corrosion resistant  
Moisture resistant  
Dust resistant  
Durable  
NEMA 4X  
Max temp rating 500°F



**JMS PART #**  
**6SS**

JMS SOUTHEAST INCORPORATED CERTIFIES THIS DRAWING IS IN ACCORDANCE WITH JMS SOUTHEAST INCORPORATED ENGINEERING SPECIFICATIONS AND ACCURATELY REPRESENTS THE EQUIPMENT FURNISHED. THIS DRAWING IS THE SOLE PROPERTY OF JMS SE, AND MUST BE RETURNED UPON DEMAND IT MAY NOT BE REPRODUCED NOR THE INFORMATION CONTAINED THEREIN USED WITHOUT THE WRITTEN PERMISSION OF JMS SOUTHEAST INCORPORATED

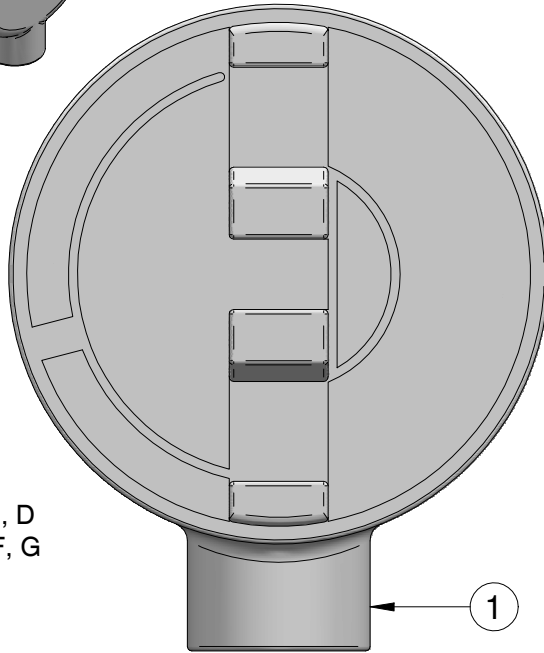
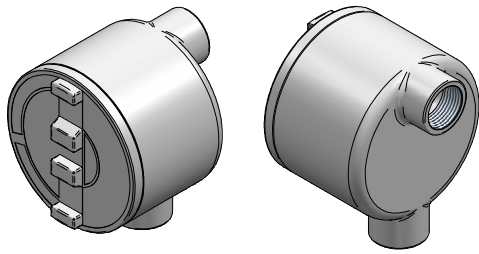
Company Name: <b>JMS-SE HEADS</b>			
Reference Data:		Drawing #:	

TOLERANCE TABLE:	Approvals	Initials	Date
PROBE (L): 0-48" ±1/8" 48"-144" ±1/4" 144" + -1"/+2"	Drafting		
WIRE (L): <math>-24" </math> -1/2"/+1" >24" -1/2"/+2"			
PROT. TUBE (P&U): ±1/4" FRACTIONAL DIM: ±1/8" DECIMAL DIM: ±0.10" XXX ±0.010" X,XXX ±0.005" UNLESS STATED OTHERWISE	Engineering		
	Second		

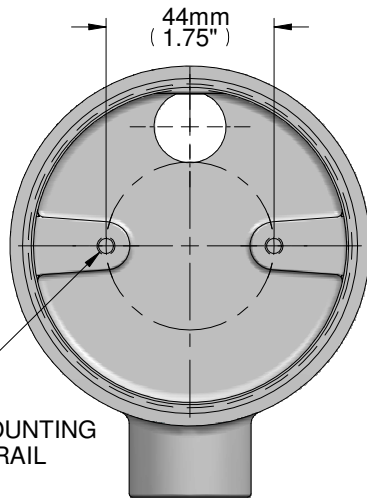
**JMS SOUTHEAST, INC.**  
Temperature Measurement  
105 Temperature Lane  
Statesville, North Carolina 28677  
Phone: (704) 873-1835  
Fax: (704) 878-6166  
www.jms-se.com  
Email: sensors@jms-se.com

DESCRIPTION
1 HEAD, GENERAL PURPOSE, 316L SS SCREW COVERED CAP & CHAIN, 1/2" X 3/4" FNPT, SILICONE GASKET, WEATHER TIGHT SEAL, NEMA 4X





Class I, Div I and 2 Groups B, C, D  
 Class II, Div I and 2 Groups E, F, G  
 Class III NEMA 3, 4  
 Moisture resistant  
 Dust resistant

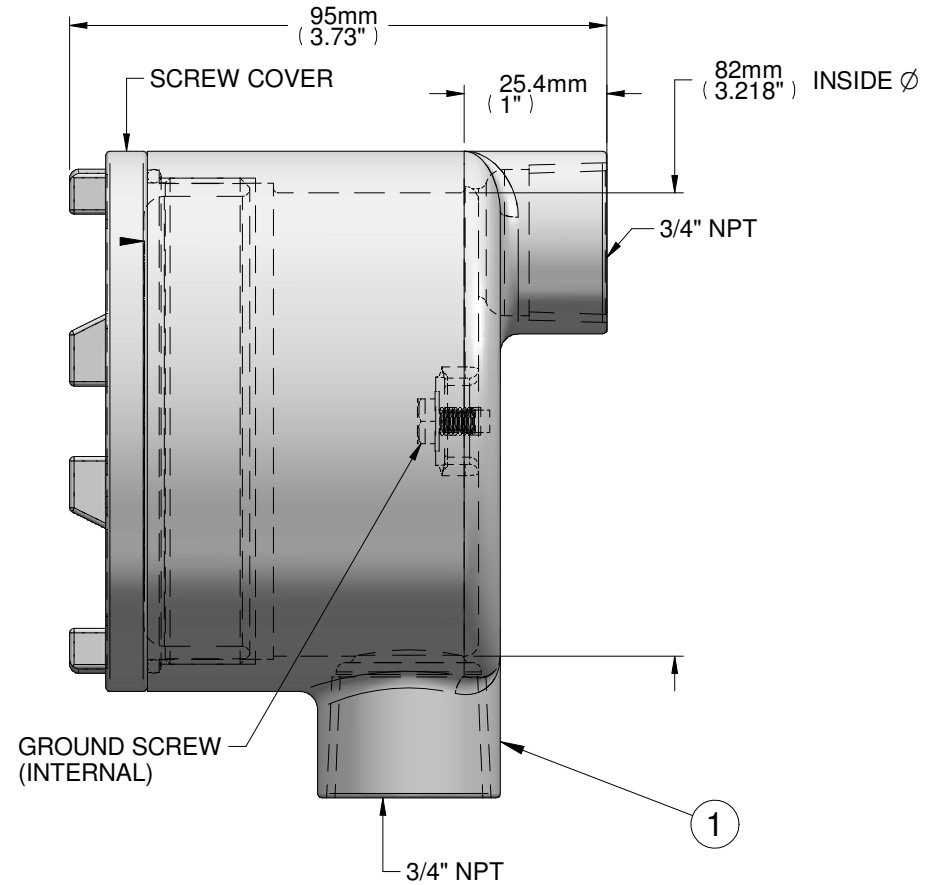


10-32 SCREWS

HOLE PATTERN FOR MOUNTING  
 TERMINAL PLATE/ RAIL

DESCRIPTION

1 HEAD, CSA EXPLOSION PROOF, MALLEABLE IRON, ALUMINUM COVER, 3/4" X 3/4" FNPT, STANDARD O RING



GROUND SCREW  
 (INTERNAL)

**JMS PART #**  
**6I**

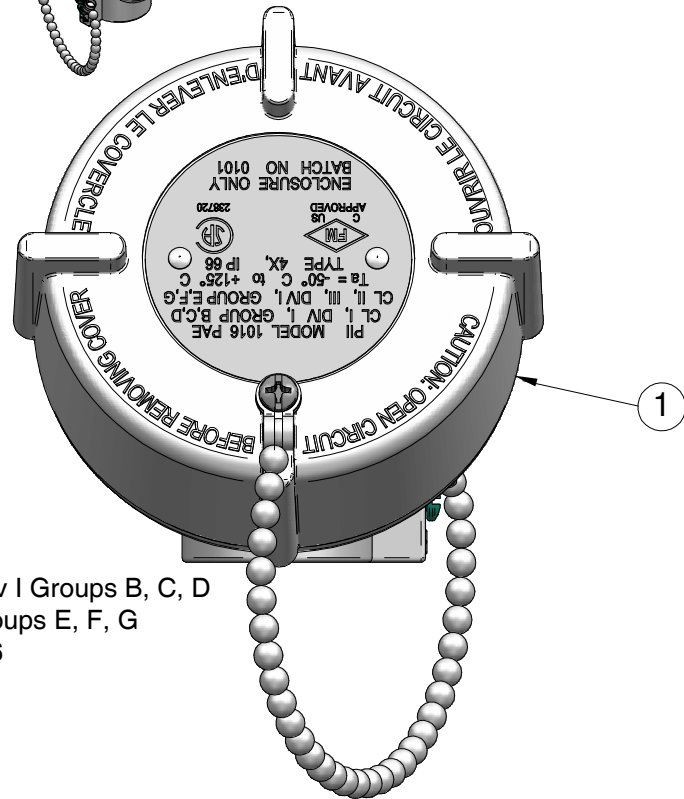
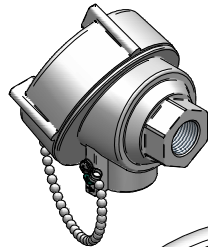
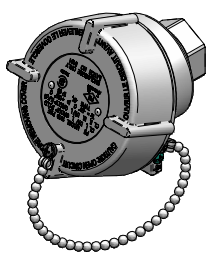
JMS SOUTHEAST INCORPORATED CERTIFIES THIS DRAWING IS IN ACCORDANCE WITH JMS SOUTHEAST INCORPORATED ENGINEERING SPECIFICATIONS AND ACCURATELY REPRESENTS THE EQUIPMENT FURNISHED. THIS DRAWING IS THE SOLE PROPERTY OF JMS SE, AND MUST BE RETURNED UPON DEMAND IT MAY NOT BE REPRODUCED NOR THE INFORMATION CONTAINED THEREIN USED WITHOUT THE WRITTEN PERMISSION OF JMS SOUTHEAST INCORPORATED

Company Name:		<b>JMS-SE HEADS</b>	
Reference Data:	Drawing #:		

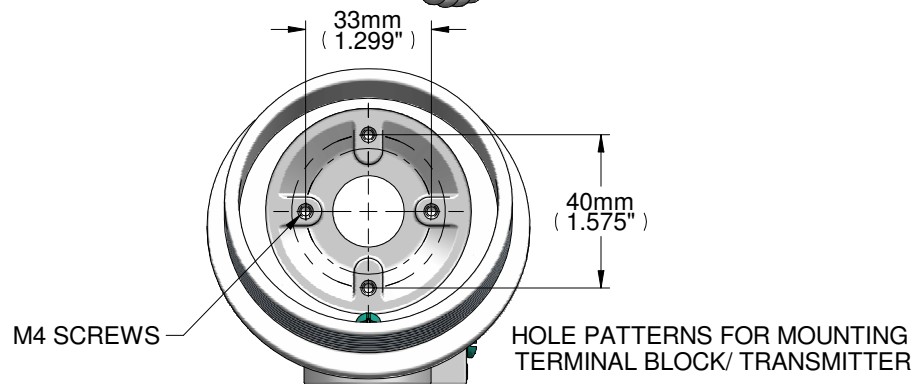
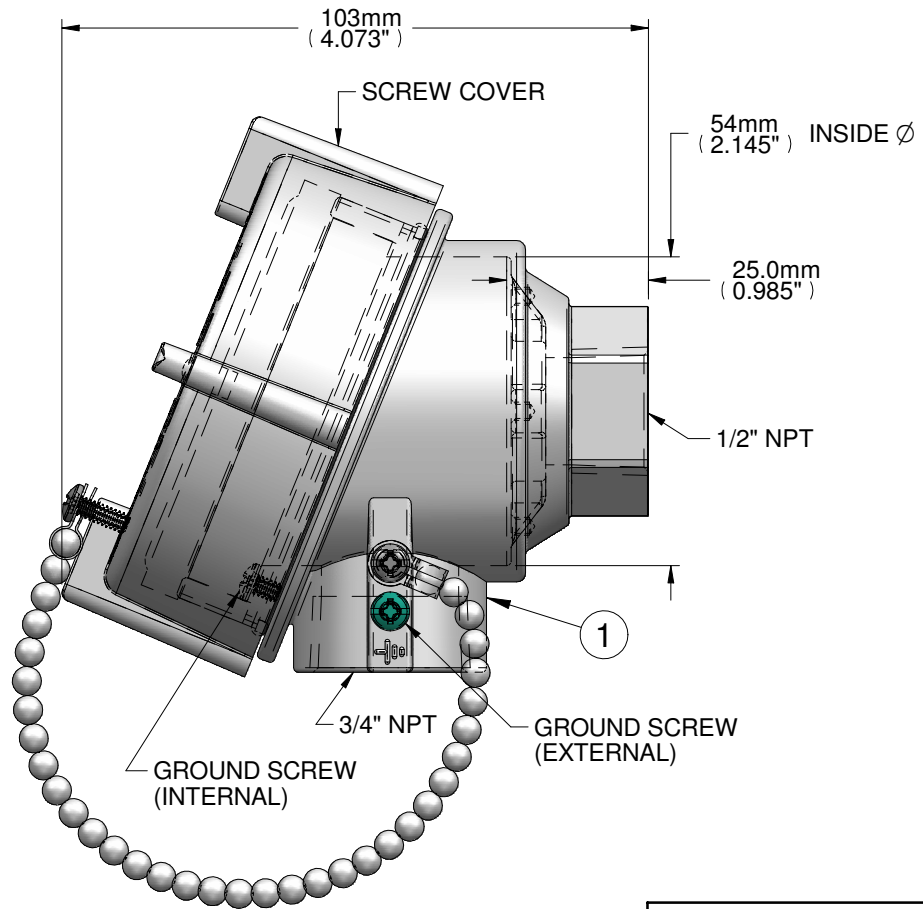
TOLERANCE TABLE:	Approvals	Initials	Date
PROBE (L): 0-48" ±1/8" 48"-144" ±1/4" 144"+ -1"/+2"	Drafting		
WIRE (L): <24" -1/2"/+1" >24" -1/2"/+2"			
PROT. TUBE (P&U): ±1/4" FRACTIONAL DIM: ±1/8" DECIMAL DIM: XX ±0.10" XXX ±0.010" XXXX ±0.005" UNLESS STATED OTHERWISE	Engineering		
	Second		



**JMS SOUTHEAST, INC.**  
 Temperature Measurement  
 105 Temperature Lane  
 Statesville, North Carolina 28677  
 Phone: (704) 873-1835  
 Fax: (704) 878-6166  
 www.jms-se.com  
 Email: sensors@jms-se.com



FM / CSA: Class I, Div I Groups B, C, D  
Class II, III, Div I Groups E, F, G  
Type NEMA 4X IP66  
Ta = -50°C to 125°C



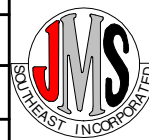
**JMS PART #**  
**6ISS**

JMS SOUTHEAST INCORPORATED CERTIFIES THIS DRAWING IS IN ACCORDANCE WITH JMS SOUTHEAST INCORPORATED ENGINEERING SPECIFICATIONS AND ACCURATELY REPRESENTS THE EQUIPMENT FURNISHED. THIS DRAWING IS THE SOLE PROPERTY OF JMS SE, AND MUST BE RETURNED UPON DEMAND IT MAY NOT BE REPRODUCED NOR THE INFORMATION CONTAINED THEREIN USED WITHOUT THE WRITTEN PERMISSION OF JMS SOUTHEAST INCORPORATED

Company Name: **JMS-SE HEADS**

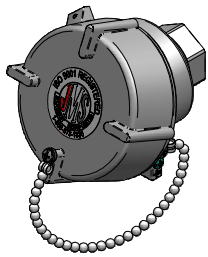
Reference Data: Drawing #:

TOLERANCE TABLE:	Approvals	Initials	Date
PROBE (L): 0-48" ±1/8"			
48"-144" ±1/4"			
144"+ -1"/+2"			
WIRE (L): <24" -1/2"/+1"	Drafting		
>24" -1/2"/+2"			
PROT. TUBE (P&U): ±1/4"	Engineering		
FRACTIONAL DIM: ±1/8"			
DECIMAL DIM:			
XX ±0.10"			
XXX ±0.010"			
XXXX ±0.005"	Second		
UNLESS STATED OTHERWISE			

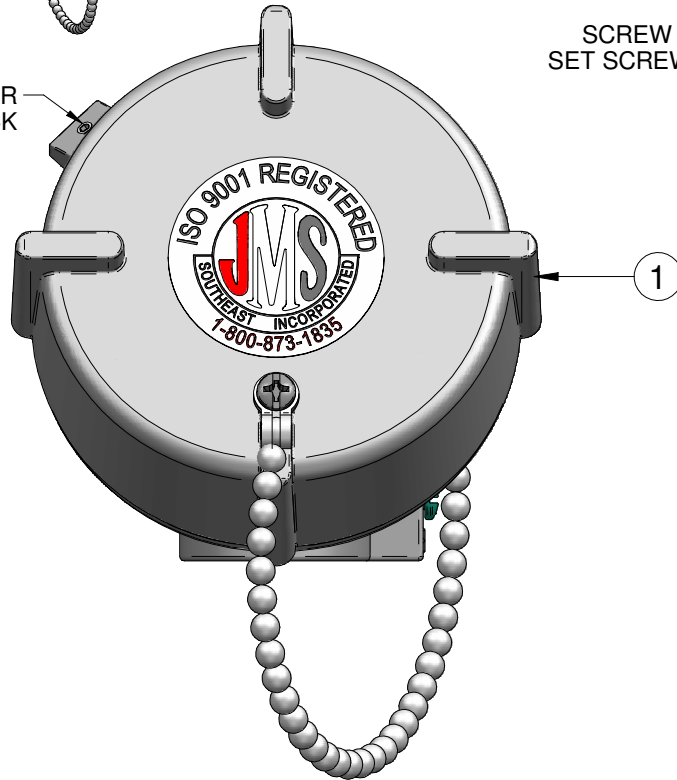


**JMS SOUTHEAST, INC.**  
Temperature Measurement  
105 Temperature Lane  
Statesville, North Carolina 28677  
Phone: (704) 873-1835  
Fax: (704) 878-6166  
www.jms-se.com  
Email: sensors@jms-se.com

DESCRIPTION	
1	HEAD, EXPLOSION PROOF, NEMA 4X, 316 STAINLESS STEEL, SCREW COVERED CAP & CHAIN,, 3/4" X 1/2" FNPT, BUNA N O-RING



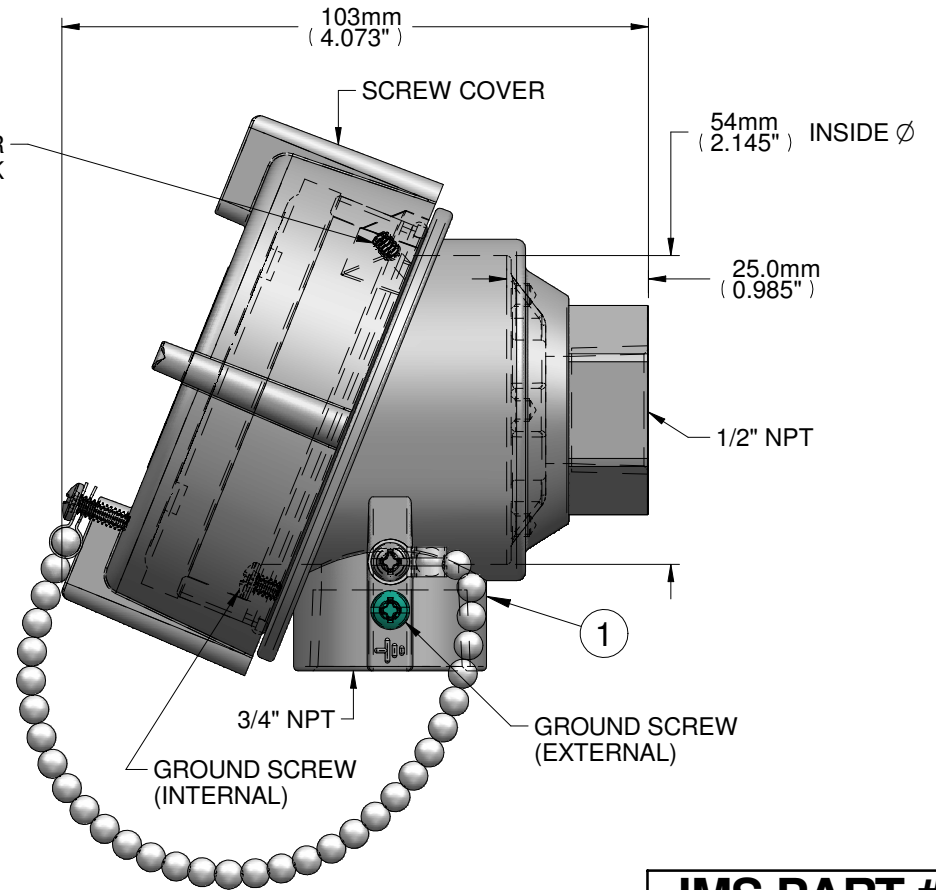
SCREW COVER  
SET SCREW LOCK



SCREW COVER  
SET SCREW LOCK

1

IECEEx / ATEX II 2GD  
Ex d IIC Gb  
Ex tb IIIC Db IP66  
Ta = -20°C to 125°C



103mm  
(4.073")

SCREW COVER

54mm  
(2.145") INSIDE Ø

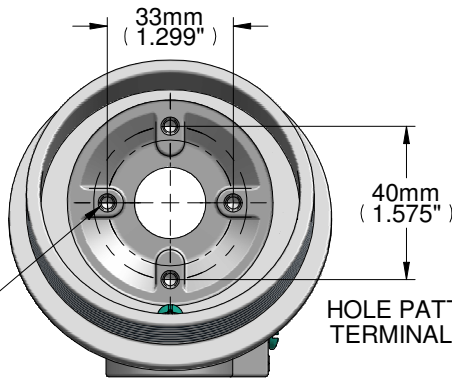
25.0mm  
(0.985")

1/2" NPT

3/4" NPT  
GROUND SCREW  
(INTERNAL)

GROUND SCREW  
(EXTERNAL)

1



33mm  
(1.299")

40mm  
(1.575")

M4 SCREWS

HOLE PATTERNS FOR MOUNTING  
TERMINAL BLOCK/ TRANSMITTER

**JMS PART #**  
**6ISSATEX**

JMS SOUTHEAST INCORPORATED CERTIFIES THIS DRAWING IS IN ACCORDANCE WITH JMS SOUTHEAST INCORPORATED ENGINEERING SPECIFICATIONS AND ACCURATELY REPRESENTS THE EQUIPMENT FURNISHED. THIS DRAWING IS THE SOLE PROPERTY OF JMS SE, AND MUST BE RETURNED UPON DEMAND IT MAY NOT BE REPRODUCED NOR THE INFORMATION CONTAINED THEREIN USED WITHOUT THE WRITTEN PERMISSION OF JMS SOUTHEAST INCORPORATED

Company Name:		<b>JMS-SE HEADS</b>	
Reference Data:	Drawing #:		

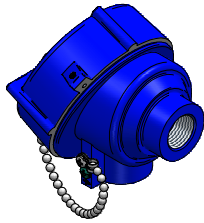
TOLERANCE TABLE:	Approvals	Initials	Date
PROBE (L): 0-48" ±1/8"	Drafting		
48"-144" ±1/4"			
144" + -1"/+2"			
WIRE (L): <math>-24" </math> -1/2"/+1"	Engineering		
>24" -1/2"/+2"			
PROT. TUBE (P&U): ±1/4"			
FRACTIONAL DIM: ±1/8"	Second		
DECIMAL DIM:			
XX ±0.10"			
XXX ±0.010"	UNLESS STATED OTHERWISE		
XXXX ±0.005"			



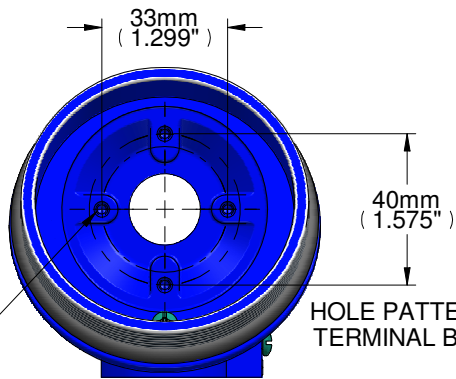
**JMS SOUTHEAST, INC.**  
Temperature Measurement  
105 Temperature Lane  
Statesville, North Carolina 28677  
Phone: (704) 873-1835  
Fax: (704) 878-6166  
www.jms-se.com  
Email: sensors@jms-se.com

DESCRIPTION

1 HEAD, EXPLOSION PROOF, NEMA 4X IP 68, 316 STAINLESS STEEL, SCREW COVERED CAP & CHAIN,, 3/4" X 1/2" FNPT, BUNA N O-RING



FM / CSA: Class I, Div I Groups B, C, D  
 Class II, III Div I Groups E, F, G  
 Type NEMA 4X IP66  
 ATEX: II2 g Exd II C Gb IP66  
 II2 D Ex tb III C D b IP66  
 IECEX: Ex d IIC Gb  
 Ex tb IIIC Db IP66  
 Ta = -40°C to 85°C

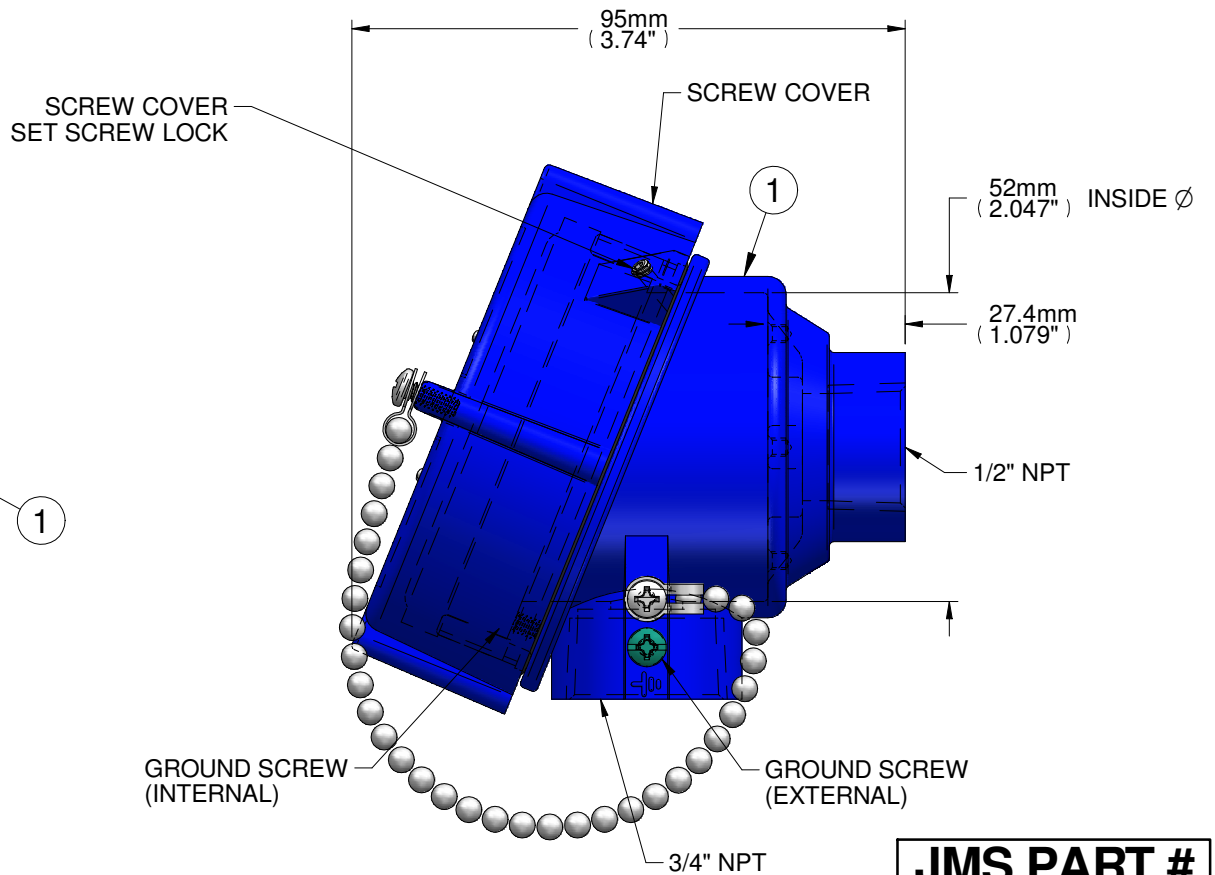


M4 SCREWS

HOLE PATTERNS FOR MOUNTING  
 TERMINAL BLOCK/ TRANSMITTER

DESCRIPTION

1 HEAD, EXPLOSION PROOF, NEMA 4X IP 68, ALUMINUM, EPOXY BLUE, SCREW COVERED  
 CAP CHAIN,, 3/4" X 1/2" FNPT, BUNA N O-RING



**JMS PART #**  
**6IAIEC**

JMS SOUTHEAST INCORPORATED CERTIFIES THIS DRAWING IS IN ACCORDANCE WITH JMS SOUTHEAST INCORPORATED ENGINEERING SPECIFICATIONS AND ACCURATELY REPRESENTS THE EQUIPMENT FURNISHED. THIS DRAWING IS THE SOLE PROPERTY OF JMS SE, AND MUST BE RETURNED UPON DEMAND IT MAY NOT BE REPRODUCED NOR THE INFORMATION CONTAINED THEREIN USED WITHOUT THE WRITTEN PERMISSION OF JMS SOUTHEAST INCORPORATED

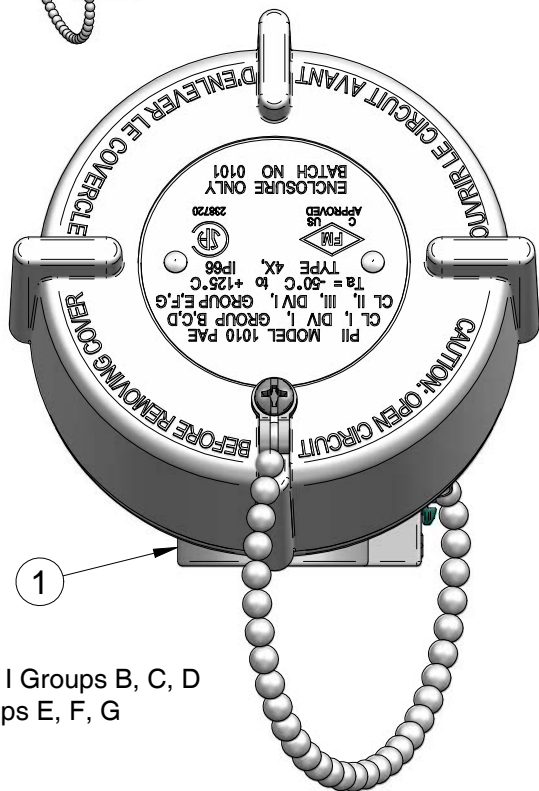
Company Name:		<b>JMS-SE HEADS</b>	
Reference Data:	Drawing #:		

TOLERANCE TABLE:	Approvals	Initials	Date
PROBE (L): 0-48" ±1/8" 4 8"-144" ±1/4" 144" + -1" / +2"	Drafting		
WIRE (L): -24" -1/2" / +1" >24" -1/2" / +2"			
PROT. TUBE (P&U): ±1/4" FRACTIONAL DIM: ±1/8" DECIMAL DIM: ±0.10" XXX ±0.010" XXXX ±0.005" UNLESS STATED OTHERWISE	Engineering		
	Second		

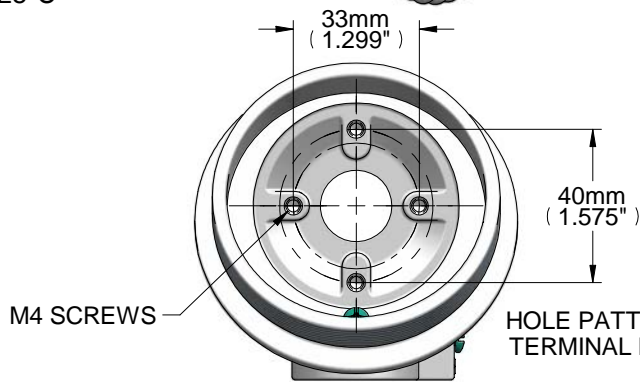


**JMS SOUTHEAST, INC.**  
 Temperature Measurement  
 105 Temperature Lane  
 Statesville, North Carolina 28677  
 Phone: (704) 873-1835  
 Fax: (704) 878-6166  
 www.jms-se.com  
 Email: sensors@jms-se.com



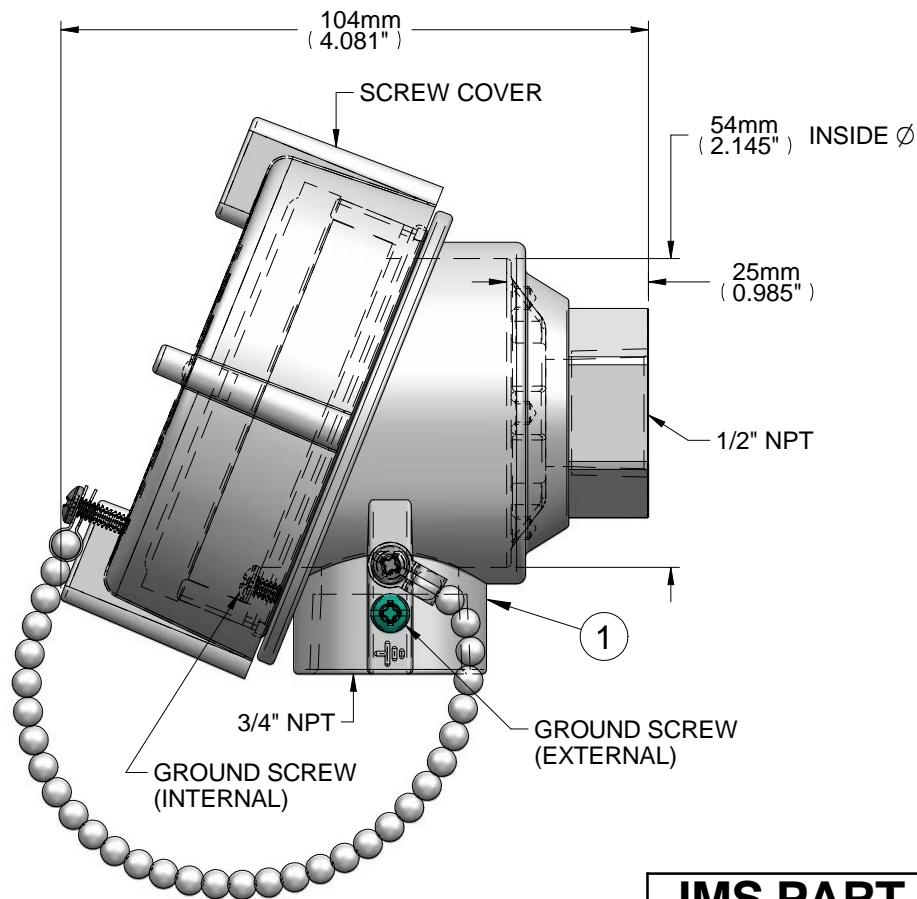


FM / CSA: Class I, Div I Groups B, C, D  
 Class II, III Div I Groups E, F, G  
 Type NEMA 4X IP66  
 Ta = -50°C to 125°C



DESCRIPTION

1 HEAD, EXPLOSION PROOF, NEMA 4X IP 68, ALUMINUM, PAINTED GREY, SCREW COVERED CAP CHAIN,, 3/4" X 1/2" FNPT, Buna N O-RING




**JMS PART #**  
**61A**

JMS SOUTHEAST INCORPORATED CERTIFIES THIS DRAWING IS IN ACCORDANCE WITH JMS SOUTHEAST INCORPORATED ENGINEERING SPECIFICATIONS AND ACCURATELY REPRESENTS THE EQUIPMENT FURNISHED. THIS DRAWING IS THE SOLE PROPERTY OF JMS SE, AND MUST BE RETURNED UPON DEMAND IT MAY NOT BE REPRODUCED NOR THE INFORMATION CONTAINED THEREIN USED WITHOUT THE WRITTEN PERMISSION OF JMS SOUTHEAST INCORPORATED

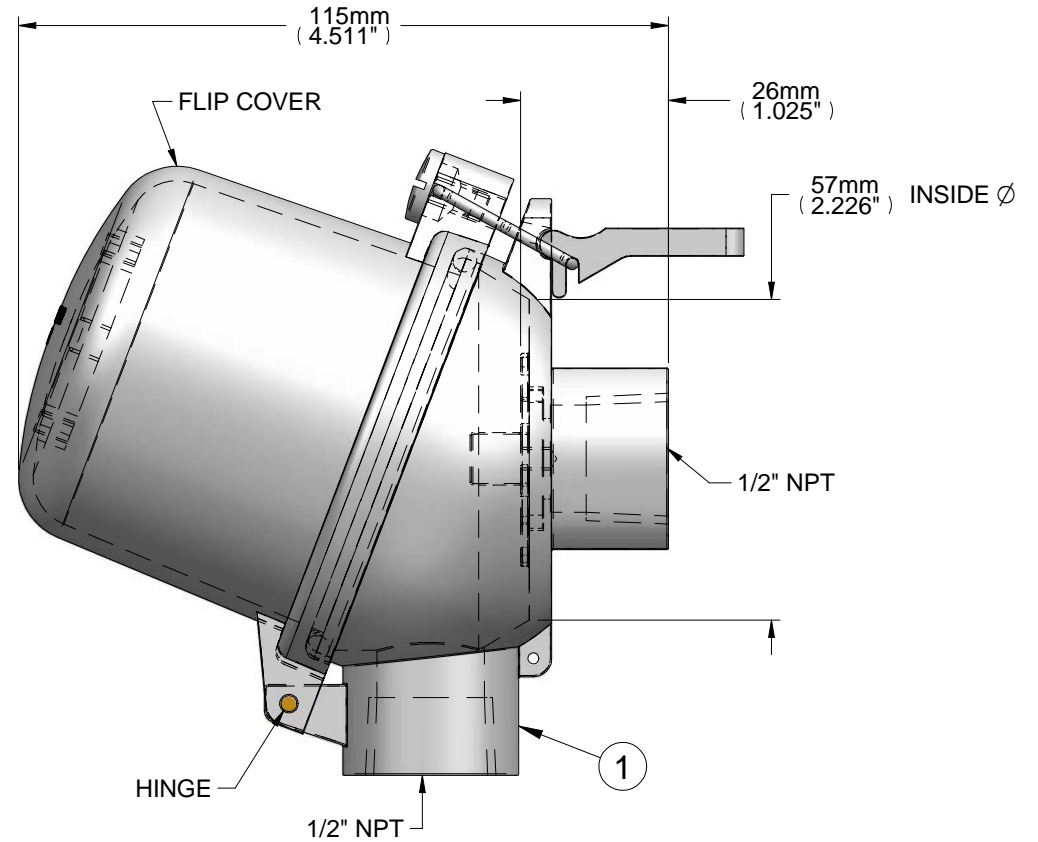
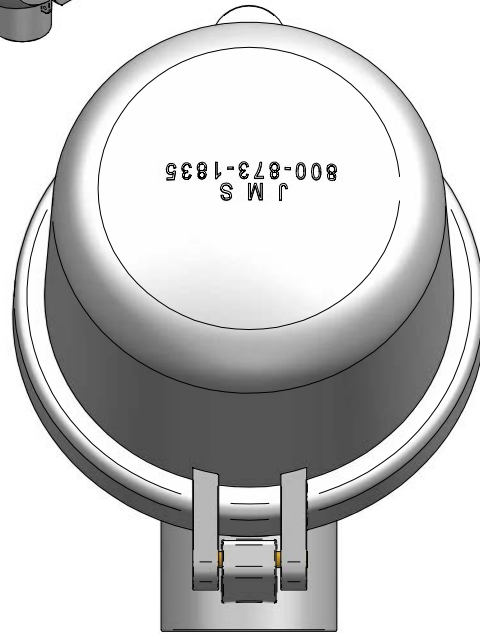
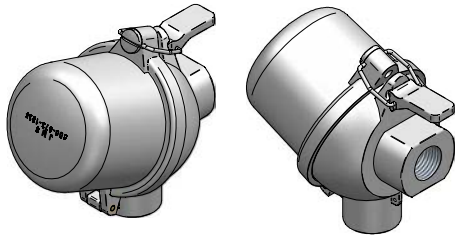
Company Name:		<b>JMS-SE HEADS</b>	
Reference Data:	Drawing #:		

TOLERANCE TABLE:	Approvals	Initials	Date
PROBE (L): 0-48" ±1/8"	Drafting		
48"-144" ±1/4"			
144" + -1"/+2"			
WIRE (L): <24" -1/2"/+1"	Engineering		
>24" -1/2"/+2"			
PROT. TUBE (P&U): ±1/4"			
FRACTIONAL DIM: ±1/8"	Second		
DECIMAL DIM:			
XX ±0.10"			
XXX ±0.010"	UNLESS STATED OTHERWISE		
XXXX ±0.005"			

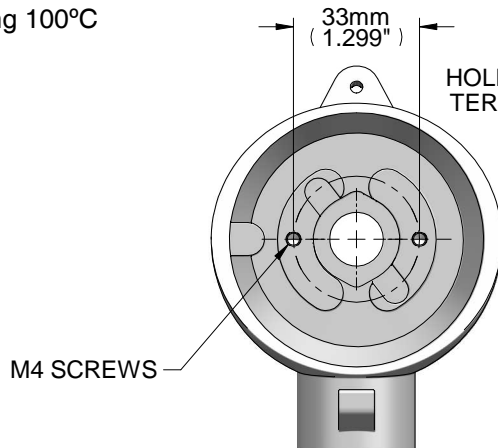


**JMS SOUTHEAST, INC.**  
 Temperature Measurement  
 105 Temperature Lane  
 Statesville, North Carolina 28677  
 Phone: (704) 873-1835  
 Fax: (704) 878-6166  
 www.jms-se.com  
 Email: sensors@jms-se.com





Corrosion resistant  
 Moisture resistant  
 Dust resistant  
 Durable  
 NEMA 4  
 Maximum temp rating 100°C



HOLE PATTERNS FOR MOUNTING  
 TERMINAL BLOCK/ TRANSMITTER

**JMS PART #**  
**6R**

JMS SOUTHEAST INCORPORATED CERTIFIES THIS DRAWING IS IN ACCORDANCE WITH JMS SOUTHEAST INCORPORATED ENGINEERING SPECIFICATIONS AND ACCURATELY REPRESENTS THE EQUIPMENT FURNISHED. THIS DRAWING IS THE SOLE PROPERTY OF JMS SE, AND MUST BE RETURNED UPON DEMAND IT MAY NOT BE REPRODUCED NOR THE INFORMATION CONTAINED THEREIN USED WITHOUT THE WRITTEN PERMISSION OF JMS SOUTHEAST INCORPORATED

Company Name:		<b>JMS-SE HEADS</b>	
Reference Data:	Drawing #:		

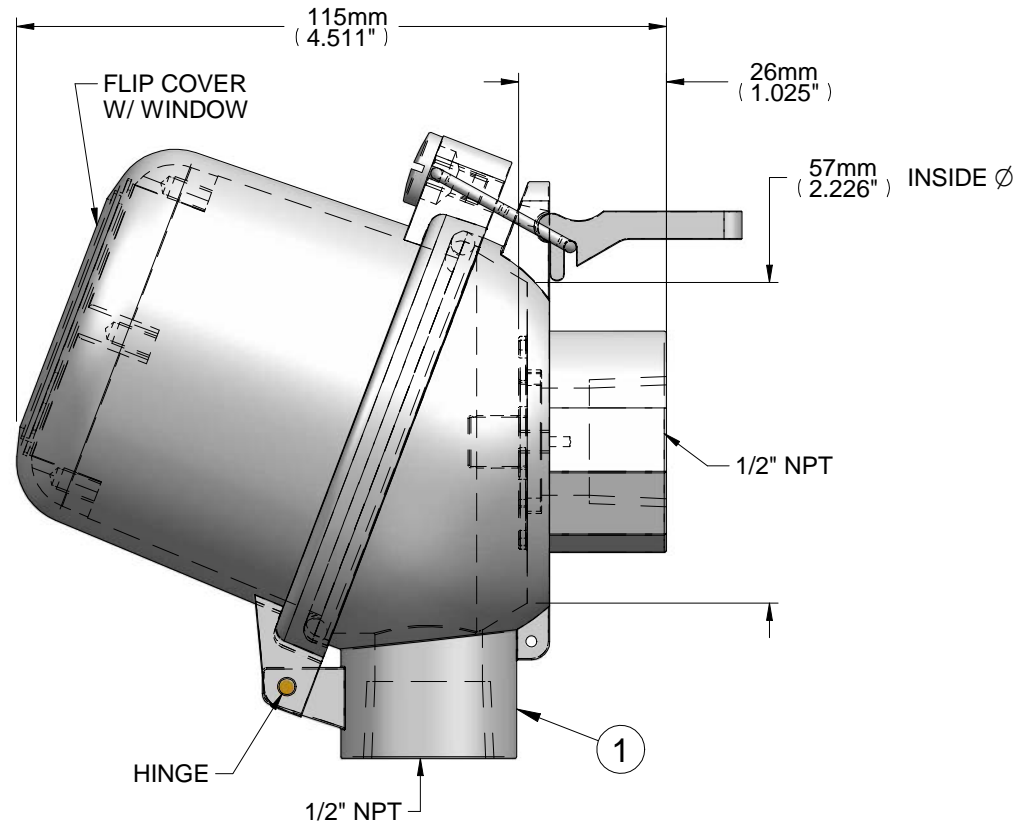
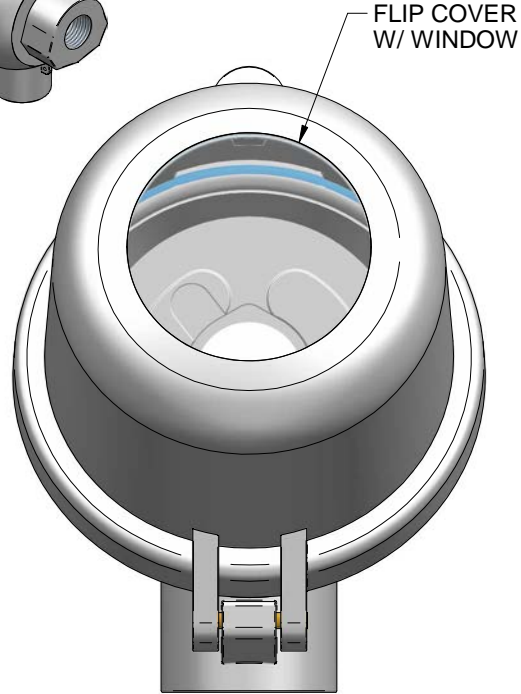
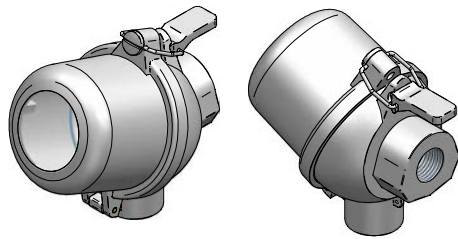
TOLERANCE TABLE:	Approvals	Initials	Date
PROBE (L): 0-48" ±1/8"	Drafting		
48"-144" ±1/4"			
144" + -1"/+2"			
WIRE (L): <24" -1/2"/+1"	Engineering		
>24" -1/2"/+2"			
PROT. TUBE (P&U): ±1/4"			
FRACTIONAL DIM: ±1/8"	Second		
DECIMAL DIM:			
XXX ±0.10"			
XXX ±0.010"	UNLESS STATED OTHERWISE		
XXX ±0.005"			



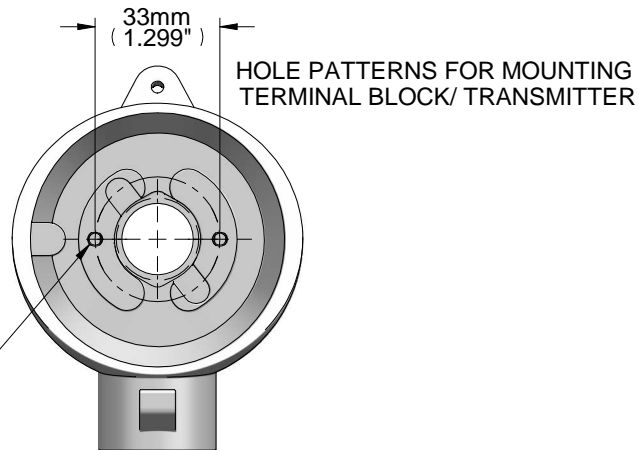
**JMS SOUTHEAST, INC.**  
 Temperature Measurement  
 105 Temperature Lane  
 Statesville, North Carolina 28677  
 Phone: (704) 873-1835  
 Fax: (704) 878-6166  
 www.jms-se.com  
 Email: sensors@jms-se.com

**DESCRIPTION**

1 HEAD, GENERAL PURPOSE, ALUMINUM, HINGED HIGH DOME COVER W/ SNAP LOCK, OIL PROOF RUBBER GASKET, 1/2" X 1/2" NPT, NEMA 4



Corrosion resistant  
 Moisture resistant  
 Dust resistant  
 Durable  
 NEMA 4  
 Maximum temp rating 100°C



**JMS PART #**  
**6RV**

JMS SOUTHEAST INCORPORATED CERTIFIES THIS DRAWING IS IN ACCORDANCE WITH JMS SOUTHEAST INCORPORATED ENGINEERING SPECIFICATIONS AND ACCURATELY REPRESENTS THE EQUIPMENT FURNISHED. THIS DRAWING IS THE SOLE PROPERTY OF JMS SE, AND MUST BE RETURNED UPON DEMAND IT MAY NOT BE REPRODUCED NOR THE INFORMATION CONTAINED THEREIN USED WITHOUT THE WRITTEN PERMISSION OF JMS SOUTHEAST INCORPORATED

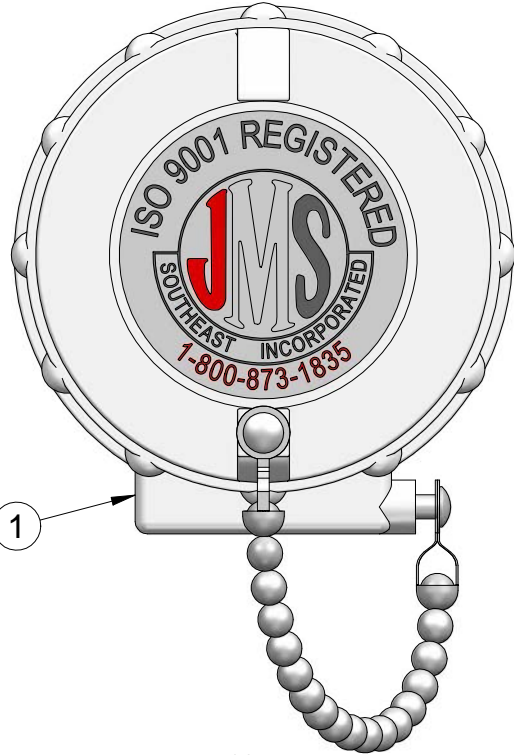
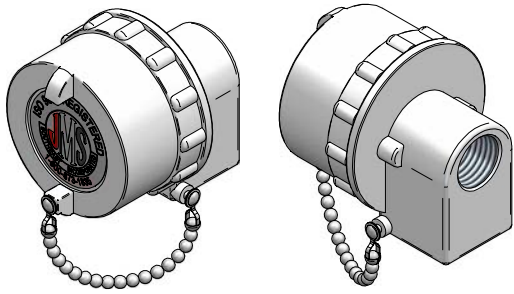
Company Name: <b>JMS-SE HEADS</b>			
Reference Data:		Drawing #:	

TOLERANCE TABLE:	Approvals	Initials	Date
PROBE (L): 0-48" ±1/8" 48"-144" ±1/4" 144" + -1"/+2"	Drafting		
WIRE (L): <24" -1/2"/+1" >24" -1/2"/+2"			
PROT. TUBE (P&U): ±1/4" FRACTIONAL DIM: ±1/8" DECIMAL DIM: XXX ±0.10" XXX ±0.010" XXXX ±0.005" UNLESS STATED OTHERWISE	Engineering		
	Second		



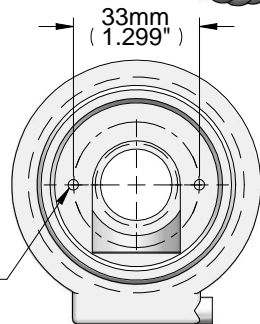
**JMS SOUTHEAST, INC.**  
 Temperature Measurement  
 105 Temperature Lane  
 Statesville, North Carolina 28677  
 Phone: (704) 873-1835  
 Fax: (704) 878-6166  
 www.jms-se.com  
 Email: sensors@jms-se.com

DESCRIPTION	
1	HEAD, GENERAL PURPOSE, ALUMINUM, HINGED HIGH DOME WINDOW COVER W/ SNAP LOCK, OIL PROOF RUBBER GASKET, 1/2" X 1/2" NPT, NEMA 4



Suitable for Sanitary applications  
 Excellent corrosion resistance  
 Weather tight seal  
 Rain and dust resistant  
 Very lightweight  
 NEMA 4X  
 Continuous use temp rating of  
 198°F. (PP)

1

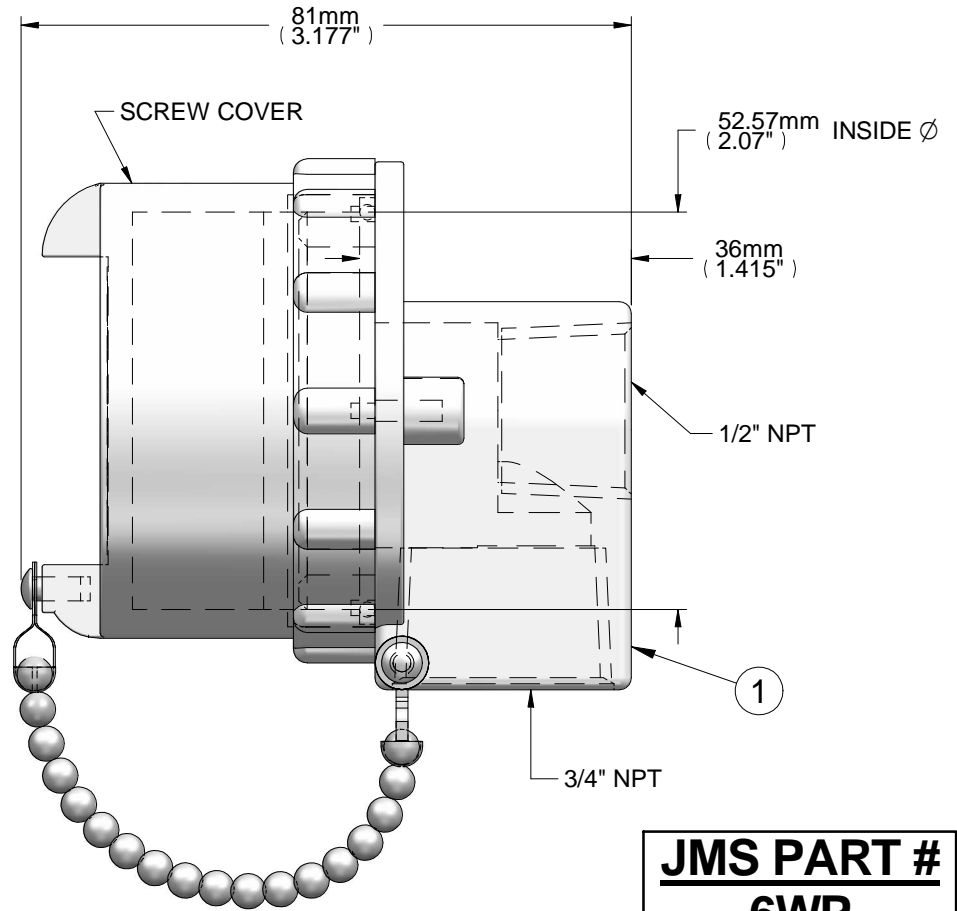


HOLE PATTERNS FOR MOUNTING  
 TERMINAL BLOCK/ TRANSMITTER

6-32 SCREWS

DESCRIPTION

1 HEAD, WHITE POLYPROPYLENE (PP), SECURE SCREW CAP & CHAIN, 1/2" X 3/4" FNPT, SILICONE GASKET, NEMA 4X



**JMS PART #**  
**6WP**

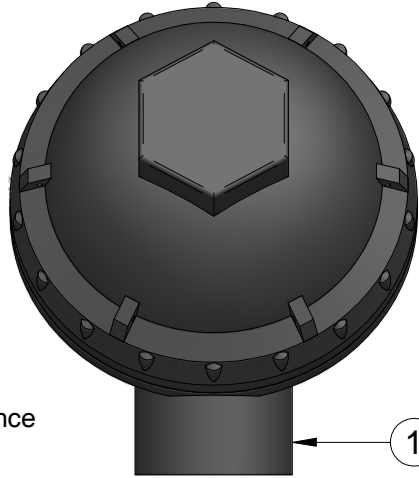
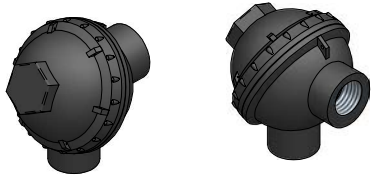
JMS SOUTHEAST INCORPORATED CERTIFIES THIS DRAWING IS IN ACCORDANCE WITH JMS SOUTHEAST INCORPORATED ENGINEERING SPECIFICATIONS AND ACCURATELY REPRESENTS THE EQUIPMENT FURNISHED. THIS DRAWING IS THE SOLE PROPERTY OF JMS SE, AND MUST BE RETURNED UPON DEMAND IT MAY NOT BE REPRODUCED NOR THE INFORMATION CONTAINED THEREIN USED WITHOUT THE WRITTEN PERMISSION OF JMS SOUTHEAST INCORPORATED

Company Name:		<b>JMS-SE HEADS</b>	
Reference Data:	Drawing #:		

TOLERANCE TABLE:	Approvals	Initials	Date
PROBE (L): 0-48" ±1/8"	Drafting		
48"-144" ±1/4"			
144"+ -1"/+2"			
WIRE (L): <24" -1/2"/+1"	Engineering		
>24" -1/2"/+2"			
PROT. TUBE (P&U): ±1/4"			
FRACTIONAL DIM: ±1/8"	Second		
DECIMAL DIM:			
XX ±0.10"			
XXX ±0.010"			
XXXX ±0.005"	UNLESS STATED OTHERWISE		

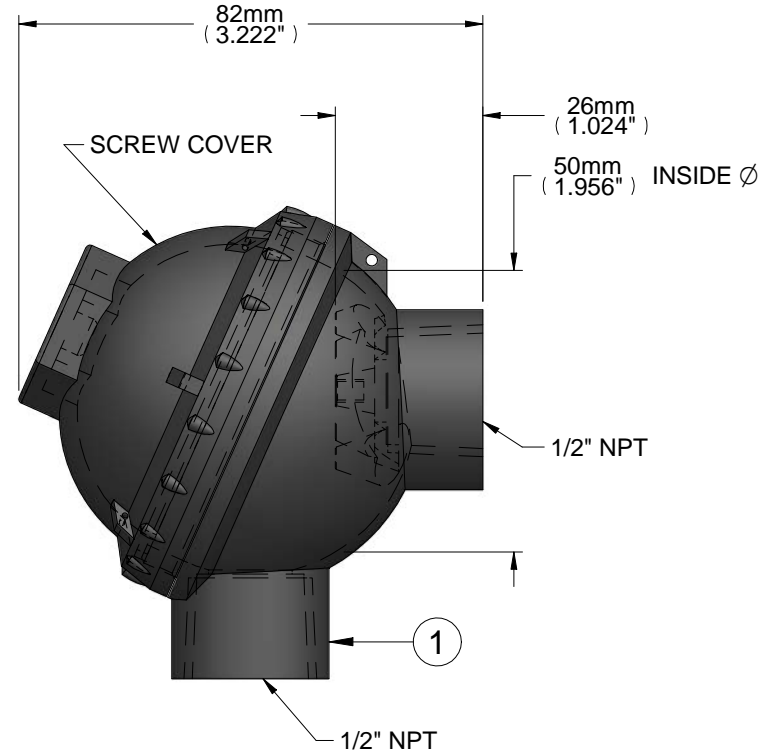
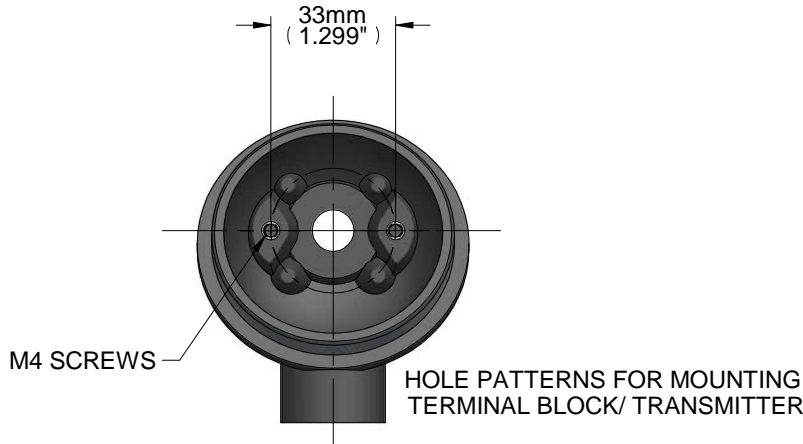


**JMS SOUTHEAST, INC.**  
 Temperature Measurement  
 105 Temperature Lane  
 Statesville, North Carolina 28677  
 Phone: (704) 873-1835  
 Fax: (704) 878-6166  
 www.jms-se.com  
 Email: sensors@jms-se.com



Excellent corrosion resistance  
 Moisture resistant  
 Dust resistant  
 Very lightweight  
 Maximum temp rating 130°C

1




**JMS PART #**  
**6Q**

JMS SOUTHEAST INCORPORATED CERTIFIES THIS DRAWING IS IN ACCORDANCE WITH JMS SOUTHEAST INCORPORATED ENGINEERING SPECIFICATIONS AND ACCURATELY REPRESENTS THE EQUIPMENT FURNISHED. THIS DRAWING IS THE SOLE PROPERTY OF JMS SE, AND MUST BE RETURNED UPON DEMAND IT MAY NOT BE REPRODUCED NOR THE INFORMATION CONTAINED THEREIN USED WITHOUT THE WRITTEN PERMISSION OF JMS SOUTHEAST INCORPORATED

Company Name: **JMS-SE HEADS**

Reference Data: Drawing #:

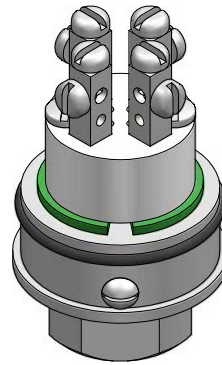
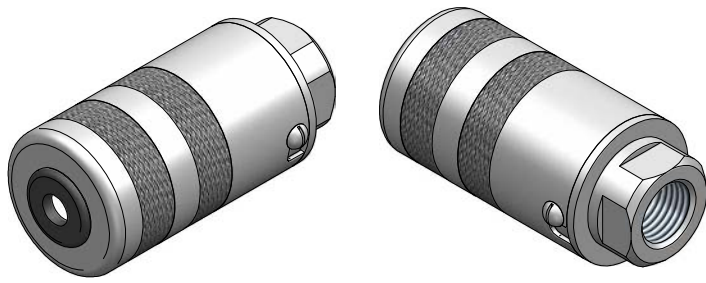
Approvals	Initials	Date
Drafting		
Engineering		
Second		



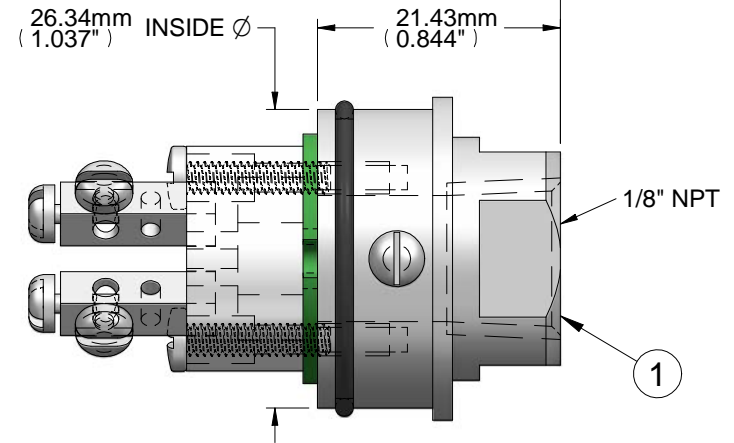
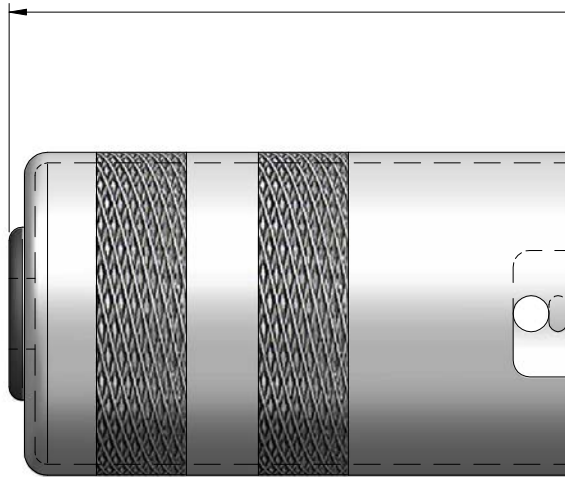
**JMS SOUTHEAST, INC.**  
 Temperature Measurement  
 105 Temperature Lane  
 Statesville, North Carolina 28677  
 Phone: (704) 873-1835  
 Fax: (704) 878-6166  
 www.jms-se.com  
 Email: sensors@jms-se.com

DESCRIPTION	
1	HEAD, SCREW TOP, 1/2" NPT X 1/2" NPT PORTS, BLACK PHENYL POLIOXIDE, SILICONE RUBBER GASKET

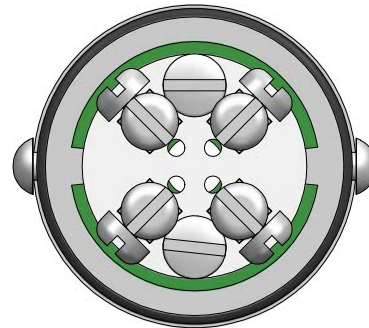
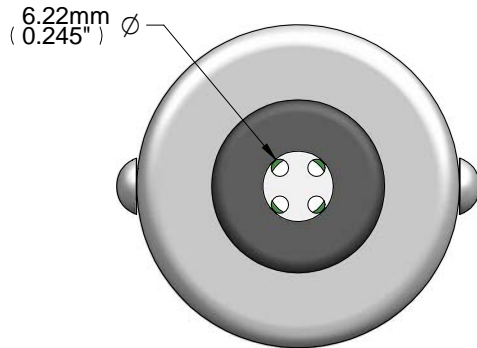
TOLERANCE TABLE:  
 PROBE (L): 0-48" ±1/8"  
 48"-144" ±1/4"  
 144"+ -1"/+2"  
 WIRE (L): <24" -1/2"/+1"  
 >24" -1/2"/+2"  
 PROT. TUBE (P&U): ±1/4"  
 FRACTIONAL DIM: ±1/8"  
 DECIMAL DIM:  
 XX ±0.10"  
 XXX ±0.010"  
 XXXX ±0.005"  
 UNLESS STATED OTHERWISE



60.46mm  
(2.381")  
(ASSEMBLED)



**JMS PART #**  
**6S125**



Small and lightweight

JMS SOUTHEAST INCORPORATED CERTIFIES THIS DRAWING IS IN ACCORDANCE WITH JMS SOUTHEAST INCORPORATED ENGINEERING SPECIFICATIONS AND ACCURATELY REPRESENTS THE EQUIPMENT FURNISHED. THIS DRAWING IS THE SOLE PROPERTY OF JMS SE, AND MUST BE RETURNED UPON DEMAND IT MAY NOT BE REPRODUCED NOR THE INFORMATION CONTAINED THEREIN USED WITHOUT THE WRITTEN PERMISSION OF JMS SOUTHEAST INCORPORATED

Company Name:		<b>JMS-SE HEADS</b>	
Reference Data:	Drawing #:		
TOLERANCE TABLE:		Approvals	Initials
PROBE (L): 0-48" ±1/8"		Drafting	Date
48"-144" ±1/4"			
144" + -1"/+2"		Engineering	
WIRE (L): <24" -1/2"/+1"			
>24" -1/2"/+2"		Second	
PROT. TUBE (P&U): ±1/4"			
FRACTIONAL DIM: ±1/8"			
DECIMAL DIM:			
XX ±0.10"			
XXX ±0.010"			
X,XXX ±0.005"			
UNLESS STATED OTHERWISE			

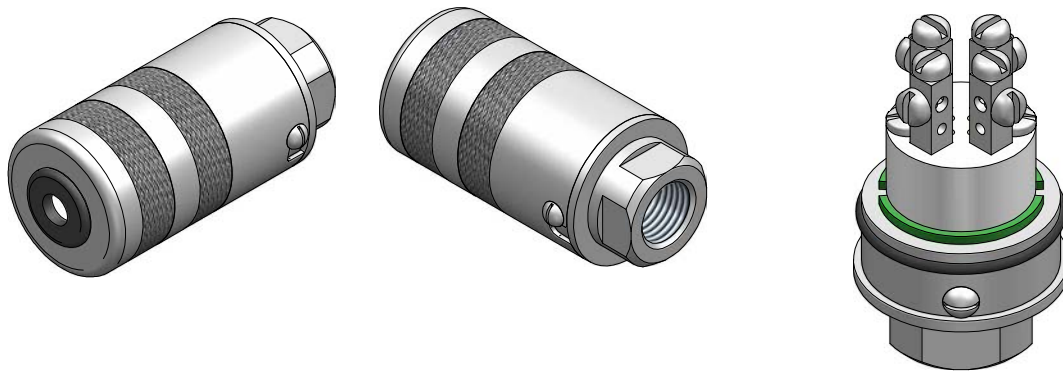


**JMS SOUTHEAST, INC.**  
Temperature Measurement  
105 Temperature Lane  
Statesville, North Carolina 28677  
Phone: (704) 873-1835  
Fax: (704) 878-6166  
www.jms-se.com  
Email: sensors@jms-se.com

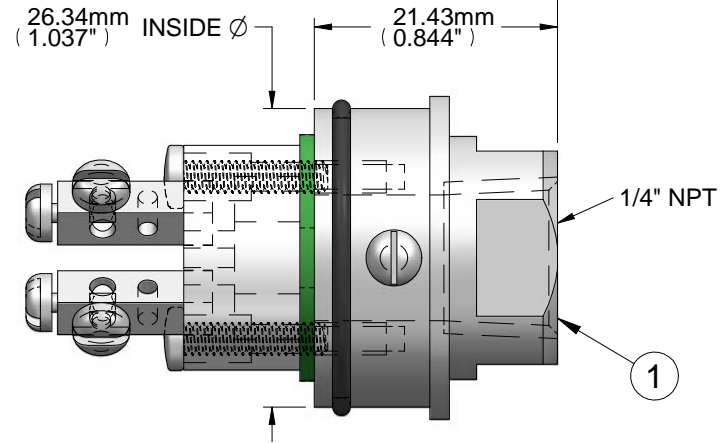
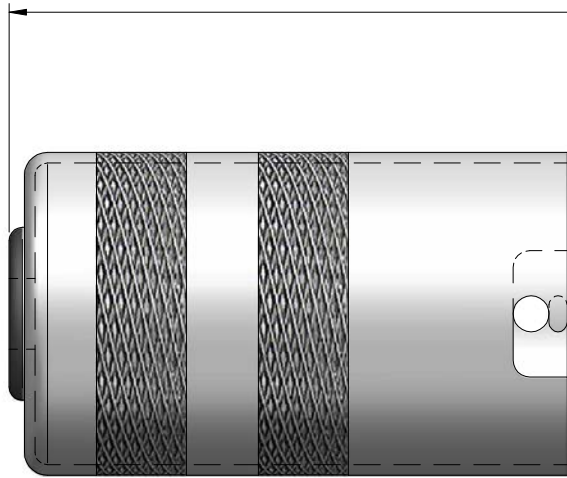
REV. 4-10-2009

DESCRIPTION	
1	HEAD, CYLINDER STYLE, 1/8" FNPT ENTRY X 1/8" ID RUBBER GROMMET EXIT

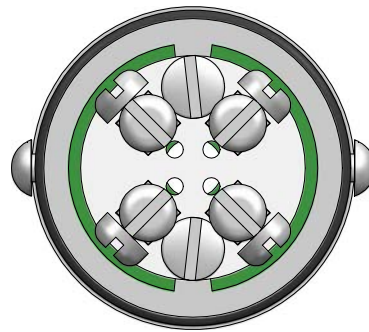
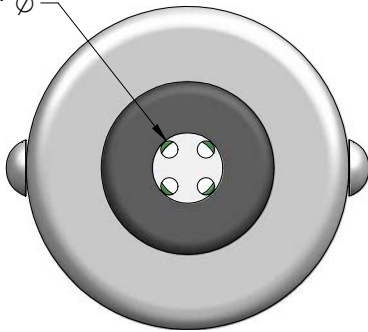




60.46mm  
(2.381")  
(ASSEMBLED)



6.22mm  
(0.245")  $\varnothing$



**JMS PART #**  
**6S250**

Small and lightweight

JMS SOUTHEAST INCORPORATED CERTIFIES THIS DRAWING IS IN ACCORDANCE WITH JMS SOUTHEAST INCORPORATED ENGINEERING SPECIFICATIONS AND ACCURATELY REPRESENTS THE EQUIPMENT FURNISHED. THIS DRAWING IS THE SOLE PROPERTY OF JMS SE, AND MUST BE RETURNED UPON DEMAND IT MAY NOT BE REPRODUCED NOR THE INFORMATION CONTAINED THEREIN USED WITHOUT THE WRITTEN PERMISSION OF JMS SOUTHEAST INCORPORATED

Company Name:		<b>JMS-SE HEADS</b>	
Reference Data:	Drawing #:		
TOLERANCE TABLE:		Approvals	Initials
PROBE (L): 0-48" ±1/8"		Drafting	Date
48"-144" ±1/4"			
144"+ -1"/+2"			
WIRE (L): <24" -1/2"/+1"		Engineering	Second
>24" -1/2"/+2"			
PROT. TUBE (P&U): ±1/4"			
FRACTIONAL DIM: ±1/8"		DECIMAL DIM:	
XX ±0.10"		XXX ±0.010"	
XXX ±0.005"		UNLESS STATED OTHERWISE	



**JMS SOUTHEAST, INC.**  
Temperature Measurement  
105 Temperature Lane  
Statesville, North Carolina 28677  
Phone: (704) 873-1835  
Fax: (704) 878-6166  
www.jms-se.com  
Email: sensors@jms-se.com

REV. 4-10-2009

**DESCRIPTION**

1 HEAD, CYLINDER STYLE, 1/4" FNPT ENTRY X 1/4" ID RUBBER GROMMET EXIT