

Model LAS Single-Tube Lantern Flow Indicators



- Approved by the Factory Mutual System (150° F max)
- Available in any length up to 72 inches
(Max length for FM approved models per specifications below)
- Stock lengths are 8 and 12 inches
- Full 360° unobstructed visibility
- All-welded construction, flanges and support rods
- Patented one-piece SuperSeal inserts are self-sealing
- Wetted parts are PTFE Teflon® and borosilicate glass
- Available with sanitary fittings
- Threaded end connections available
- Rated for full vacuum service
- Sight tubing can be calibrated directly
- Custom designs available; consult factory
- Optional 304 or 316 SS construction
- ANSI Class 300 lb flanges available



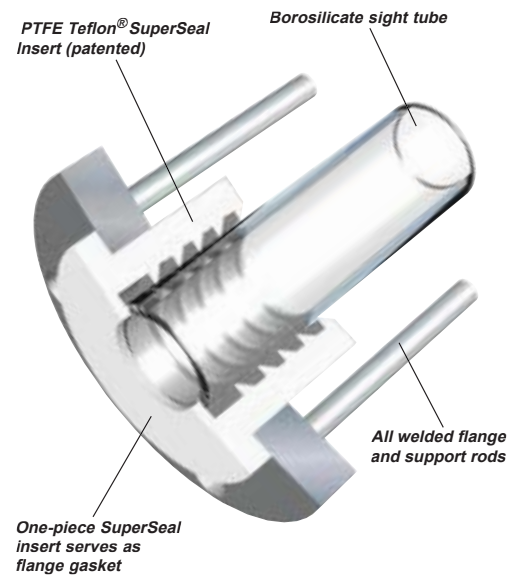
Standard Construction

- Borosilicate sight tube
- PTFE Teflon® SuperSeal inserts
- Carbon steel shield and flanges, epoxy coated
- ANSI Class 150 lb flanges

Model LAS Specifications

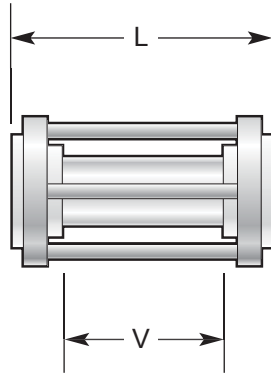
Indicator size, in.	Sight tube material	Indicator rating, psig	Flange size, in. ANSI 150	Max length, FM approved, in.
1.00	PI	150	1.00	48
1.50	PI	135	1.50	48
1.50	HW	285(1)	1.50	60
2.00	PI	115	2.00	48
2.00	HW	285(1)	2.00	60
3.00	PI	95	3.00	48
3.00	HW	200	3.00	48
4.00	PI	85	4.00	48
4.00	HW	100	4.00	12
6.00	PI	60	6.00	48
8.00	PI	40	8.00	48

PI = Standard Borosilicate HW = Heavywall Borosilicate
 Note: (1) Actual flange pressure rating may be less based on material selected.



Model LAS Single-Tube Lantern Flow Indicators

Specifications for Ordering



Note: Visual length (V) is 3 inches less than overall length (L).

Indicator Part Number

Use the spaces below to generate the model number for your indicators. Codes for materials and diameters are from the chart below right.

Overall length (L), inches	Indicator model	Sight tube material	Sight tube size	Flange/rod material	Flange size
15.5	LAS				

Illuminator

Example Part Number: 15.5-LAS-PI40-CS40

15.5	15.5 inches overall length
LAS	Single Tube Lantern Flow Indicator
PI	Standard borosilicate sight tube
40	4.0-inch sight tube size
CS	Carbon steel rods and flanges
40	4.0-inch, 150-lb flanges

Codes for Part Numbers

Sight Tube Material	Code	Size, in.	Code
Borosilicate Pipe	PI	1.00	10
Heavywall Borosilicate	HW	1.50	15
		2.00	20
		3.00	30
Flange/Rod Material	Code	Size, in.	Code
Carbon Steel	CS	4.00	40
316 SS	S6	6.00	60
304 SS	S4	8.00	80



Teflon is a registered trademark of E. I. DuPont