

FCC-300 Universal Fiber Connector Cleaner - Data Sheet

The new, FCC-300 Universal Fiber Connector Cleaner incorporates a new non-woven, synthetic cleaning cloth offering greater durability, usability and improved reliability. The FCC-300 results in a handheld connector cleaner that is strong enough for aggressive cleaning of a wider range of contaminants, soils and end-face debris. Stable, consistent, cleaning performance regardless of operator skill thanks to its patent pending Slide-Guide™ connector holder.

Key Features:

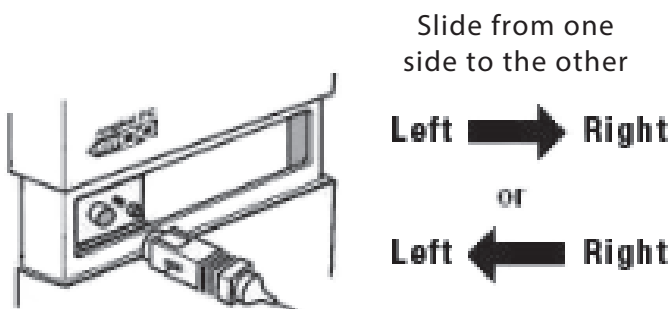
- Extra durable, compact and highly reliable cleaner for connector end-face suitable for cleaning in the field and factory.
- Automatic “Clean and Advance” tape technology provides a fresh cleaning surface for each use eliminating waste and guaranteeing long tool life.
- Packaged in a handy palm sized unit, which enables more than 500 cleanings.
- Works with both Simplex or Duplex applications.
- ESD Anti-static materials. Supports both PC and APC end face designs.

Applications:

- Customer premises, troubleshooting/maintenance
- Pedestals, COs, Head-Ends, Routine Testing
- Installation/Assembly/Production environments

Applicable Connectors:

- Simplex FC, SC, ST, LC and MU (For PC and APC)
- Duplex LC/PC (Standard Pitch 6.25 and Narrow Pitch 5.25mm)
- Duplex MU/PC (Standard Pitch width 4.5mm)



Specifications

Weight	0.201 lbs
UPC No.	811490017450
Dimensions	2-5/8" W x 1-1/8" D x 3-1/2" H