

## High Mobility Telehandler 高速伸缩臂叉车



### 高速行驶

- 最高时速可达90公里
- 叉车的速度能帮助缩短工作时间
- 加快远距离的后勤工作
- 革新的伸缩臂叉车的用途

### 极好的机动性

- 所有的车轮具有辅助动力转向
- 简便快捷的在两轮，四轮，蟹行和后轮转向之间转换
- 独特的功能：后轮转向让车子在运动过程中非常容易的控制货物的位置
- 简易按钮转换前进和后退模式
- 悬架锁止系统
- 自动防抱死系统和驱动力控制（可选择）

### 伸展

- 装载叉可以举升到8米高及最远6米，该高速叉车可以深入到20英尺标准装箱的最底端
- 低矮的车型设计可以容易接近集装箱和直升机作业

### 多用途

- 强劲的发动机功率可以实现高速行驶和野外行驶
- 特制闭式静压无极变速驱动及理想的发动机功率控制
- 关键的控制系統如转向，制动和大臂均由液压油缸控制，使得该高速叉车拥有统一的液压系统，有利于操作和维修

### High Mobility

- The HMT can travel up to 90km/h(56mph)on the road
- Its rapid acceleration and superb mobility will shorten the logistic time span
- Makes logistic support between distant sites easier and faster
- Revolutionizes the capability of Telehandler

### Excellent Maneuverability

- Fully power-assisted all-wheel steer
- Quick and easy shift between 2-wheel, 4-wheel, Crab and Rear-wheel steer
- Unique feature: Rear-wheel steering makes alignment of loads during vehicle motion extremely easy
- Rapid forward and reverse gear change in a push button
- Suspension Locking system during load handling
- Anti-lock Braking System(ABS)& Traction Control System(TCS)(Optional)

### Extensive Reach

- With 8.0m height and 6.0m forward extension, the HMT fork is designed to reach deep inside a 20ft container
- Low profile design for ease of access to container and helicopter

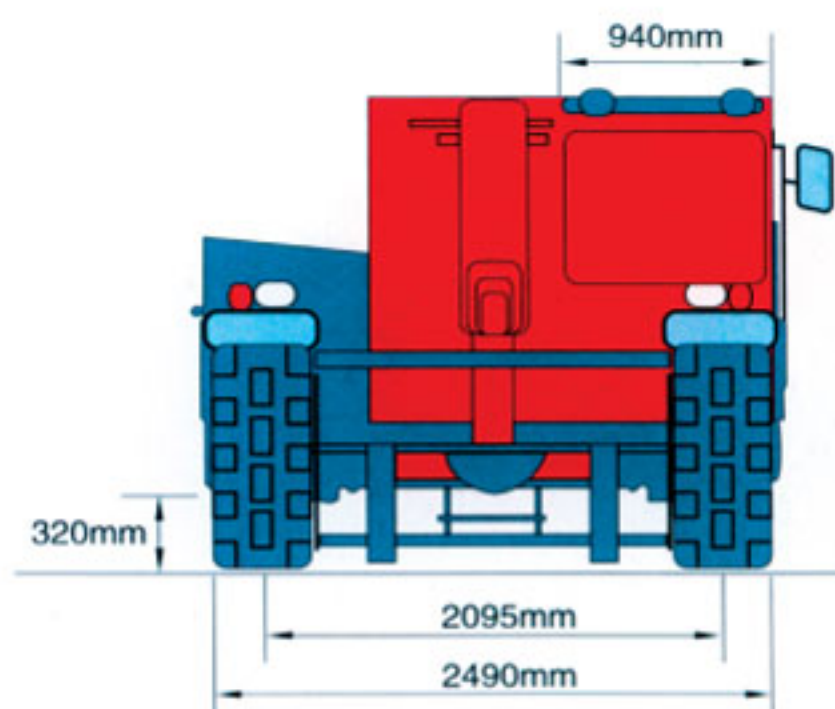
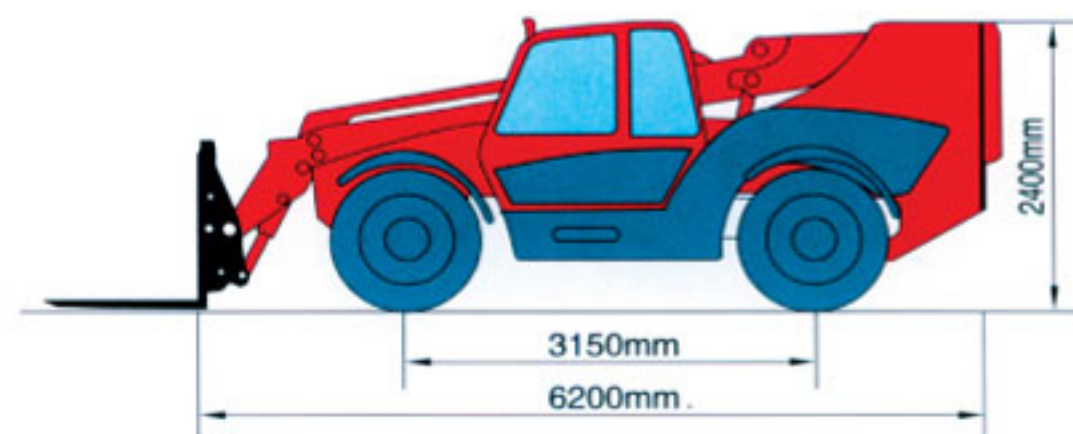
### Maximum Versatility

- Powerful engine for on-road high speed travel as well as off-road rough terrain navigation
- Customized hydrostatic transmission for smooth driving and engine power optimization
- The key operating systems of steering, braking and boom adopt single hydraulic power, making the HMT a single-medium hydraulics system for effortless operation and maintenance

# 高速伸缩臂叉车的技术参数 High Mobility Telehandler Specifications

## 发动机 Engine

型号 Model	Deutz-道依茨BF6M1013E
排气 Aspiration	涡轮增压及内部冷却系统 Turbo charged with intercooler
冷却 Cooling	液冷 Liquid-cooled
最大扭矩 Maximun Torque	854Nm@1400
总功率 Gross Power	157kw@2300rpm
排量 Displacement	7.15 liter
汽缸数 Number of Cylinders	6
缸径 Bore	108mm
电器 Electrical	24V
交变发电机 Alternator	80A
行程 Stroke	130mm
油耗 Fuel Consumption	208g/kWh



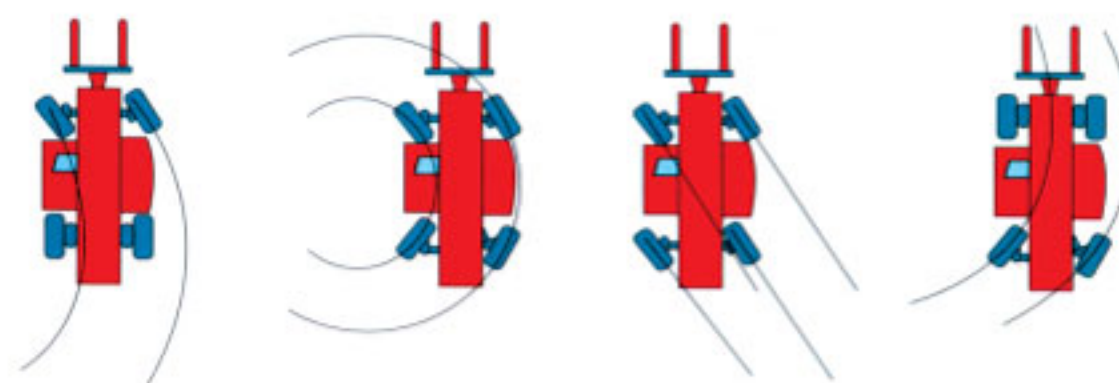
## 其它参数 Other Specifications

旋转半径 Turning Radius	5271mm
燃油箱 Fuel Tank	250liter
重量 Weight	10,000kg

## 伸缩臂性能 Boom Performance

伸缩臂控制 Boom Control	操作手柄 Joystick
伸缩臂最大举升 Maximum Boom Elevation	45°
伸缩臂最小举升 Minimum Boom Elevation	-10°
最大举升高度 Maximum Lifting Height	8000mm
最大伸出距离 Maximum Forward Reach	6000mm

### Steering 转向



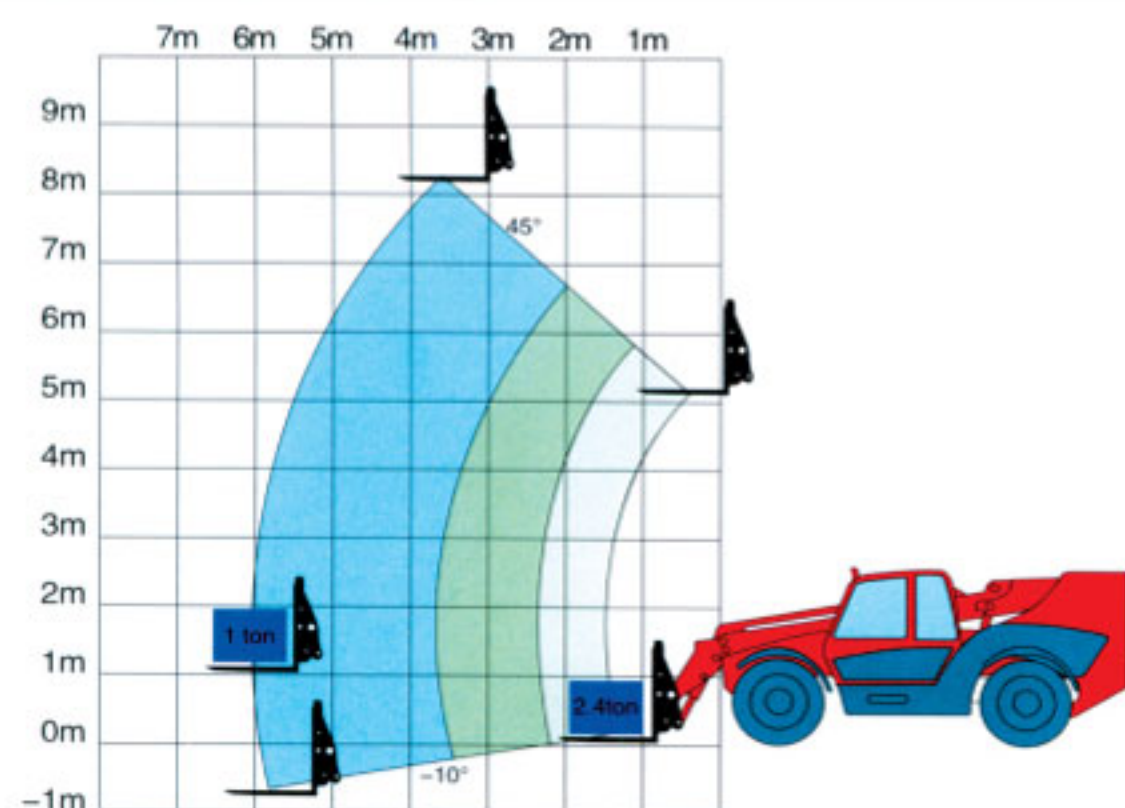
## 辅助系统 Auxiliary System

辅助系统最大压力 Maximum Auxiliary Pressure	210bar
辅助系统流量 Auxiliary Hydraulic System Flow Rate	125liter/min

## 变速箱 Transmission

最高车速 Maximum Speed	90km/h
型号 Model	静压变速驱动系统 Hydrostatic Drive
驱动模式 Drive Mode	可选择四轮/两轮 4WD/2WD-Driver Selectable

### Load Chart 载荷图:



注: 由于我公司不断地改进产品, 所有的设计或技术参数如与实物不符, 以实物为准, 请谅解。

Note: Specifications are subject to changes by the manufacturer without prior notice.

公司地址: 贵州省贵阳市中曹路97号 邮编: 550006

销售热线: +86 851 3898415 3834603

服务热线: +86 851 3898417 3898475

配件热线: +86 851 3898416 3898501

传真: +86 851 3843189

出口处: +86 851 3898344 3898986

传真: +86 851 3833248

网址: www.jonyang.com

Address:

97Zhongcao Road, Guiyang, GuiZhou, 550006, P.R.China

Sales Hotline:

+86 851 3898415 3834603

Service Hotline:

+86 851 3898417 3898475

Spare Parts:

+86 851 3898416 3898501

Fax:

+86 851 3843189

Export Dept:

+86 851 3898344 3898986

Fax:

+86 851 3833248

Web:

www.jonyang.com

