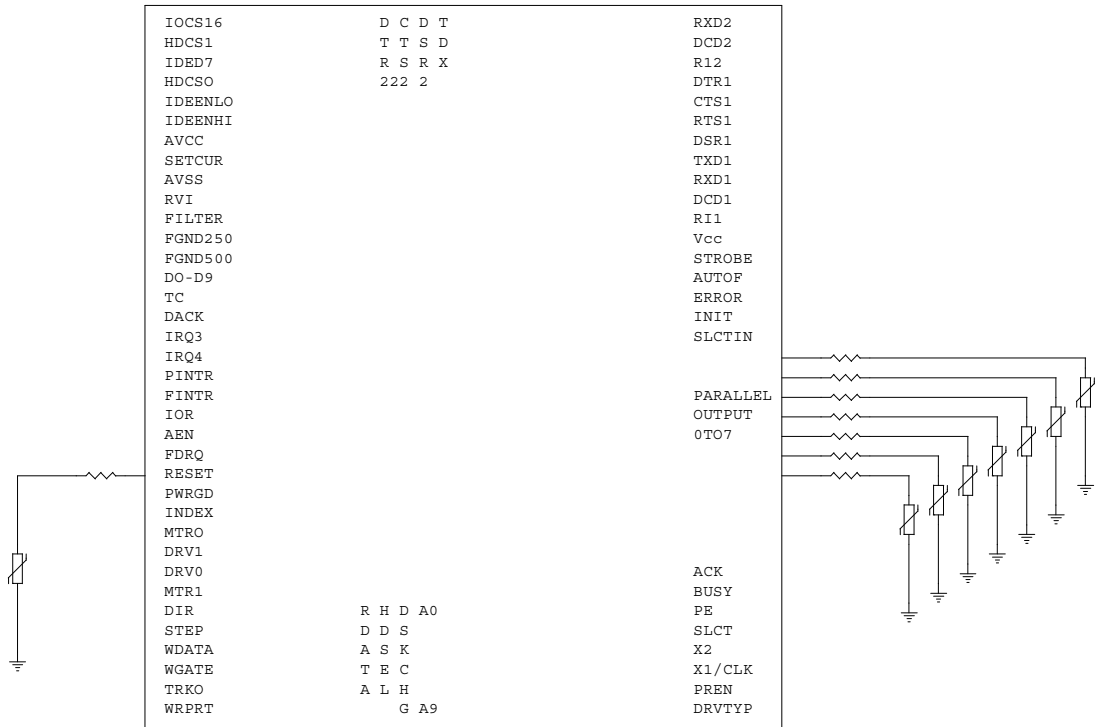


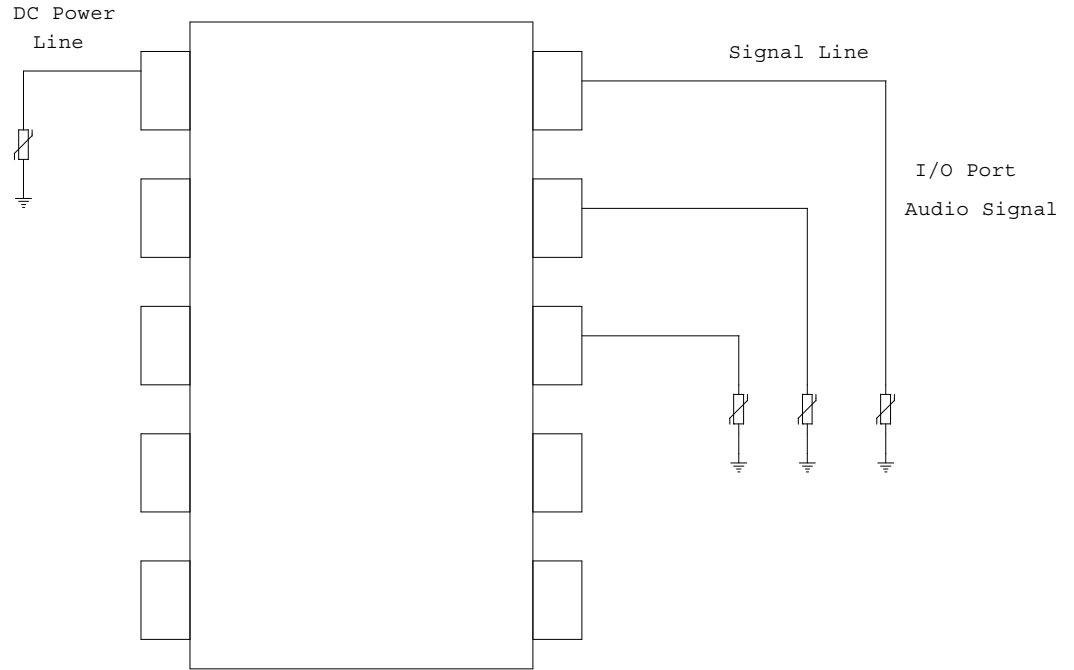
MLV Applications

Communication	Computer & Peripheral	Consumer Product	Car Electronics
<p>Cellular/Cordless Phone LCD display Programming port Charger Key pads Speaker/Microphone ASIC protection Laser diode protection FETs protection</p> <p>Secondary Phone Line</p> <p>Data Line Connection</p> <p>Line Card</p> <p>Fax Machine</p>	<p>Personal Computer Audio card Keyboards I/O ports RS232 / RS422 / IEEE 488 Interface card</p> <p>Printer & Scanner Paper feeders Key pads Opto sensors</p> <p>Hard Disk Drive Vcc protection</p> <p>FAX / MODEM</p> <p>Notebook Computer LCD display Audio card Keyboard I/O ports Charger PCMCIA cards</p>	<p>Security System Sensor protection Key pads Microprocessor reset & I/O protection LCD display</p> <p>CATV LNA FETs protection Logic box protection</p> <p>Portable Equipment Camcorder Cassette play CD player MD player Digital camera PDA</p>	<p>ECU Protection</p> <p>Multiplex I/O Line</p> <p>ABS System</p> <p>Airbag System</p> <p>Audio System</p> <p>Navigation System</p> <p>Smart Sensor & Actuator</p> <p>Ignition circuit</p> <p>Motor control boards</p>

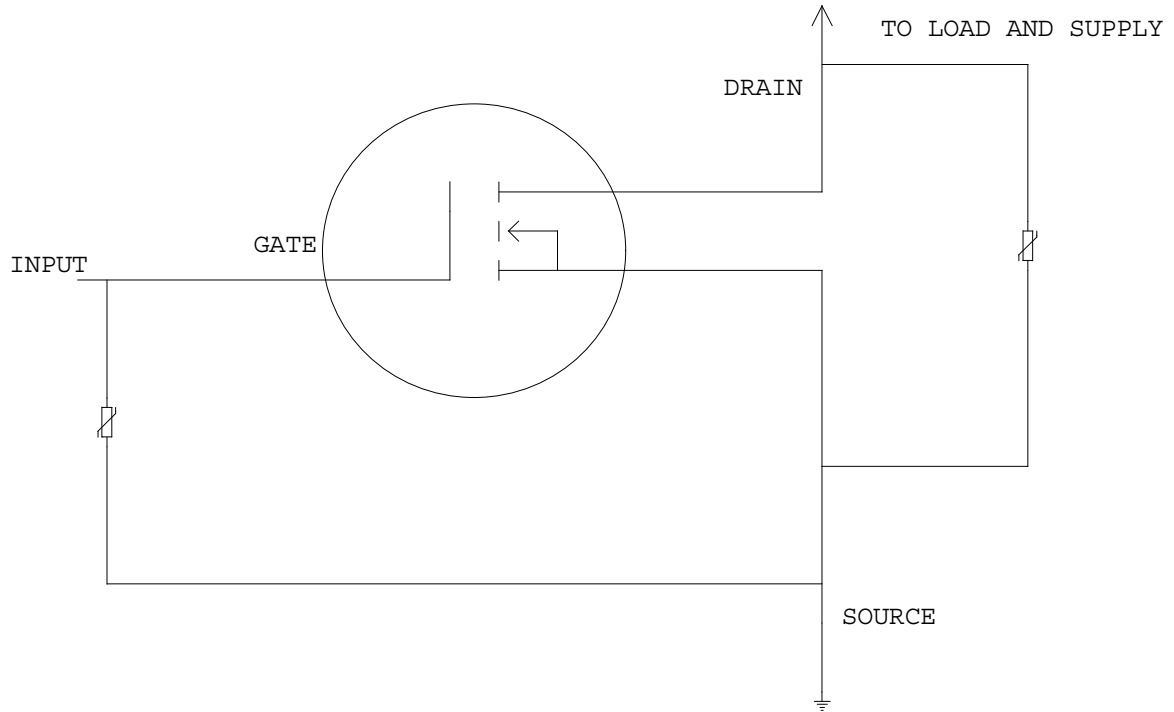
I/O PORT PROTECTION SUB NOTEBOOK & PDA'S



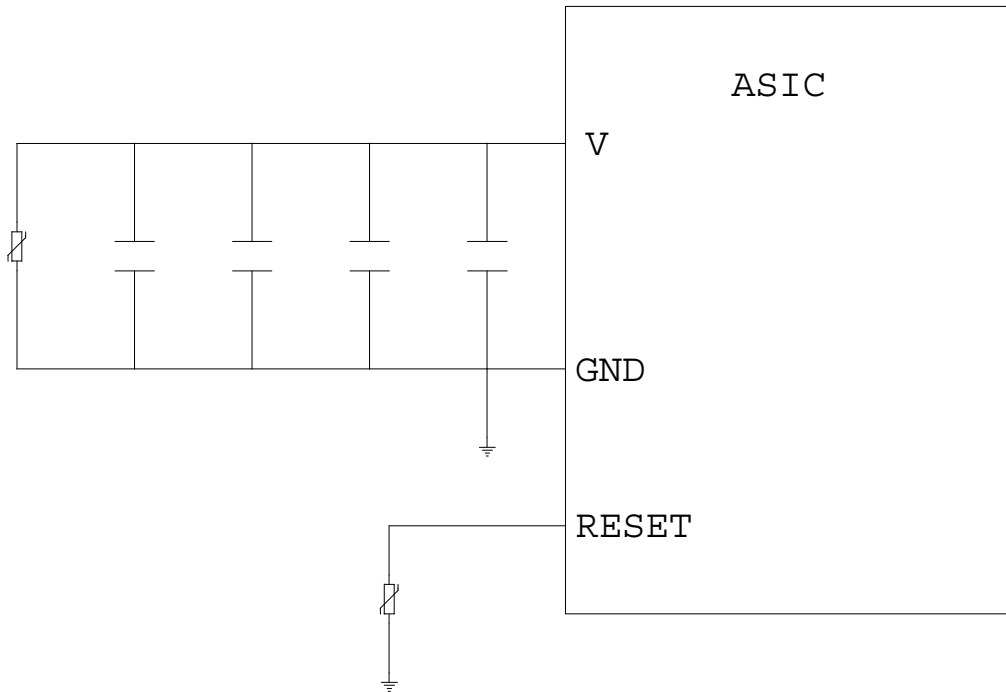
IC PROTECTION



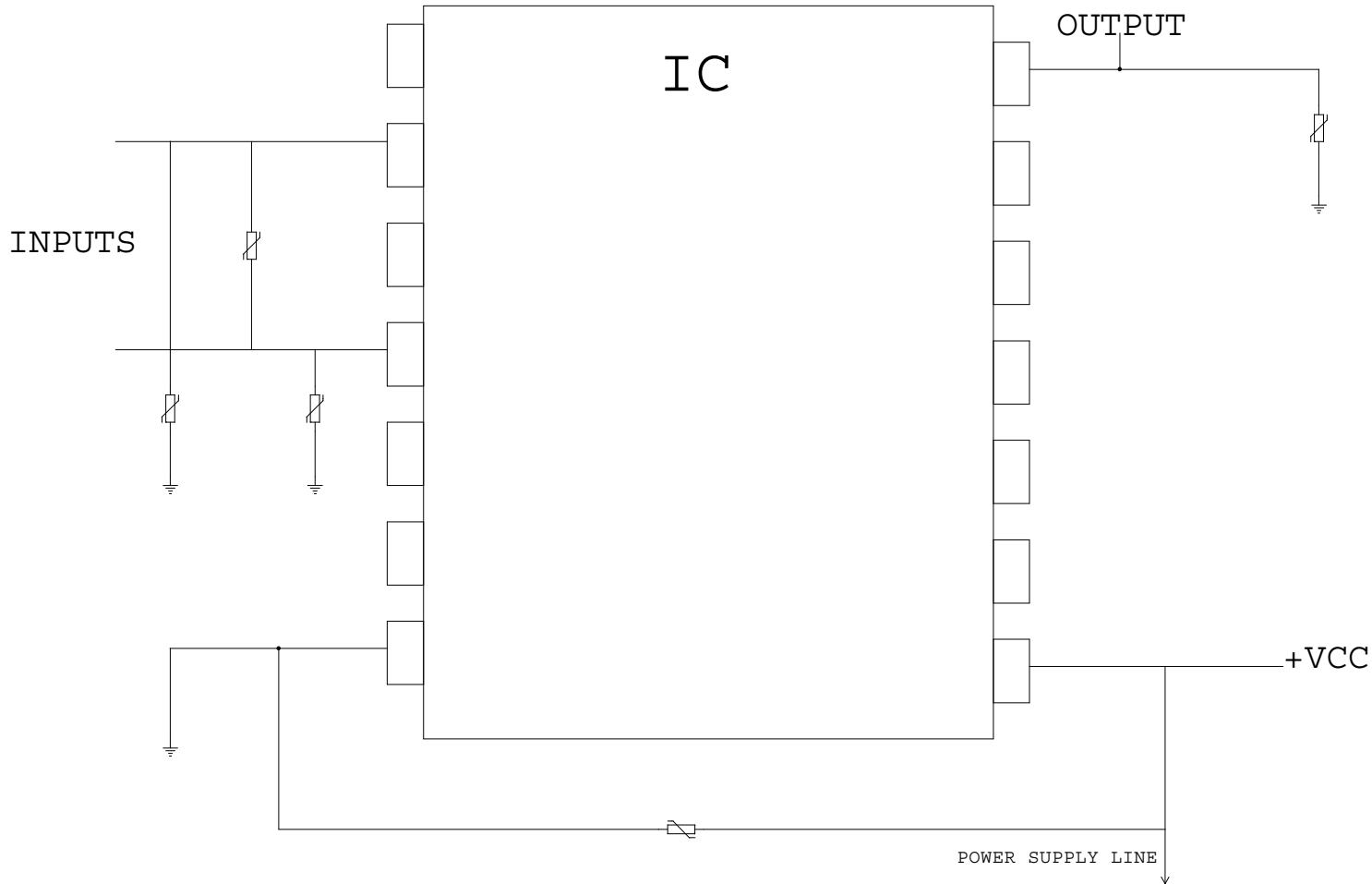
MOSFET PROTECTION



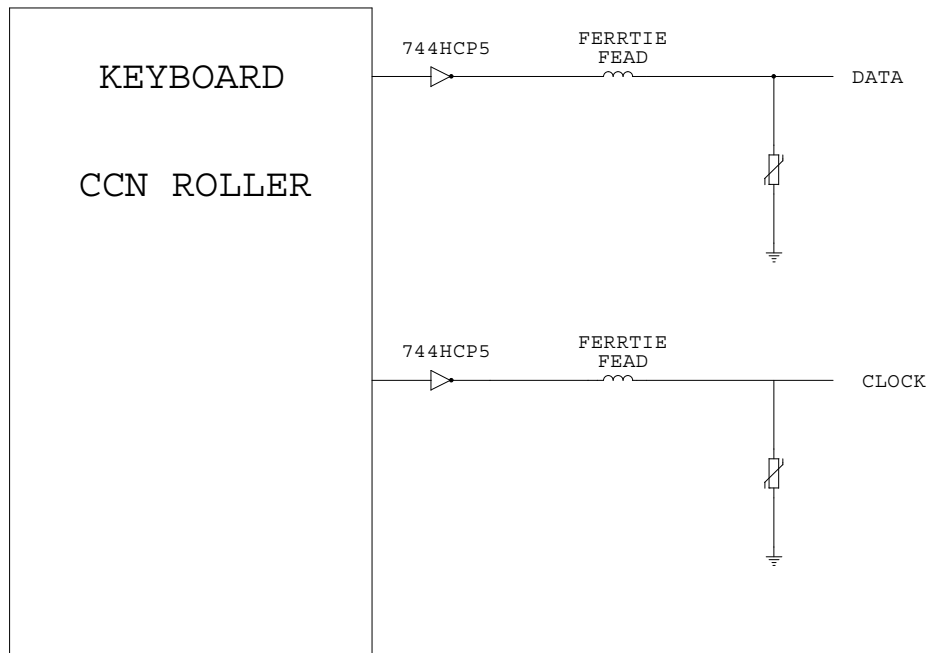
ASIC PROTECTION



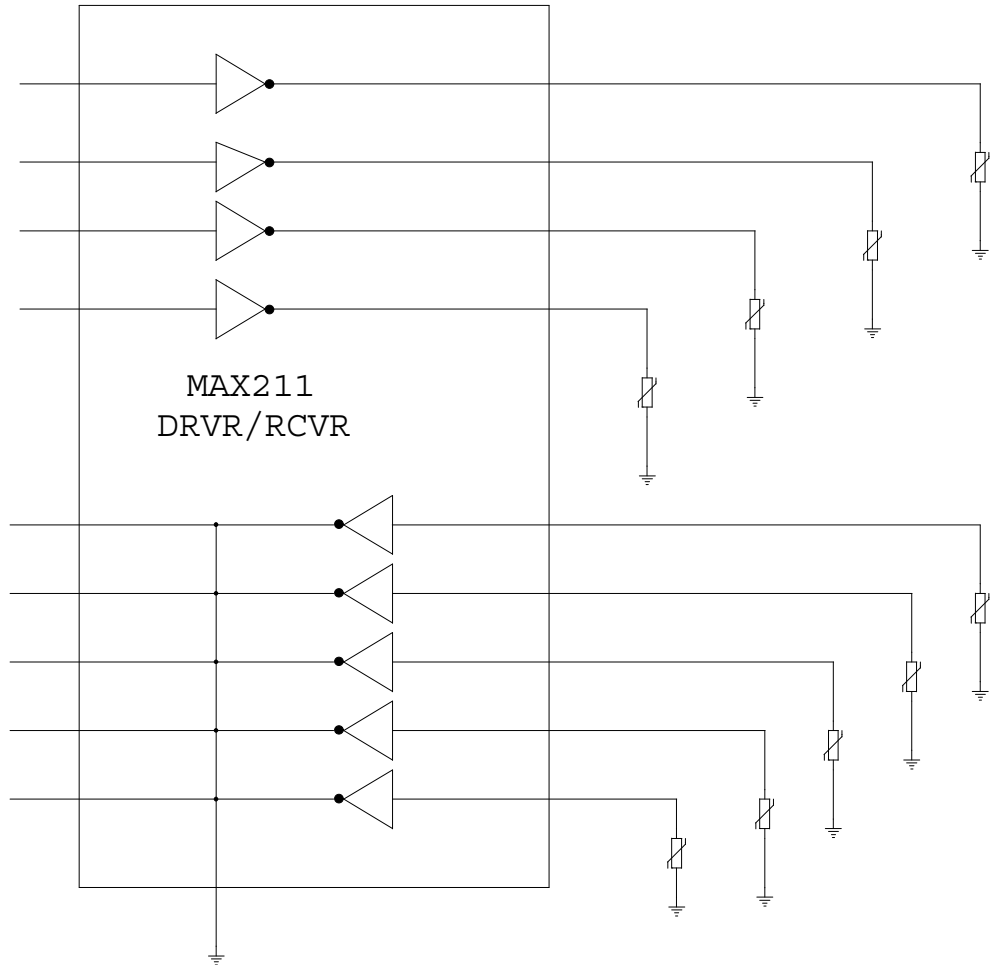
IC PROTECTION



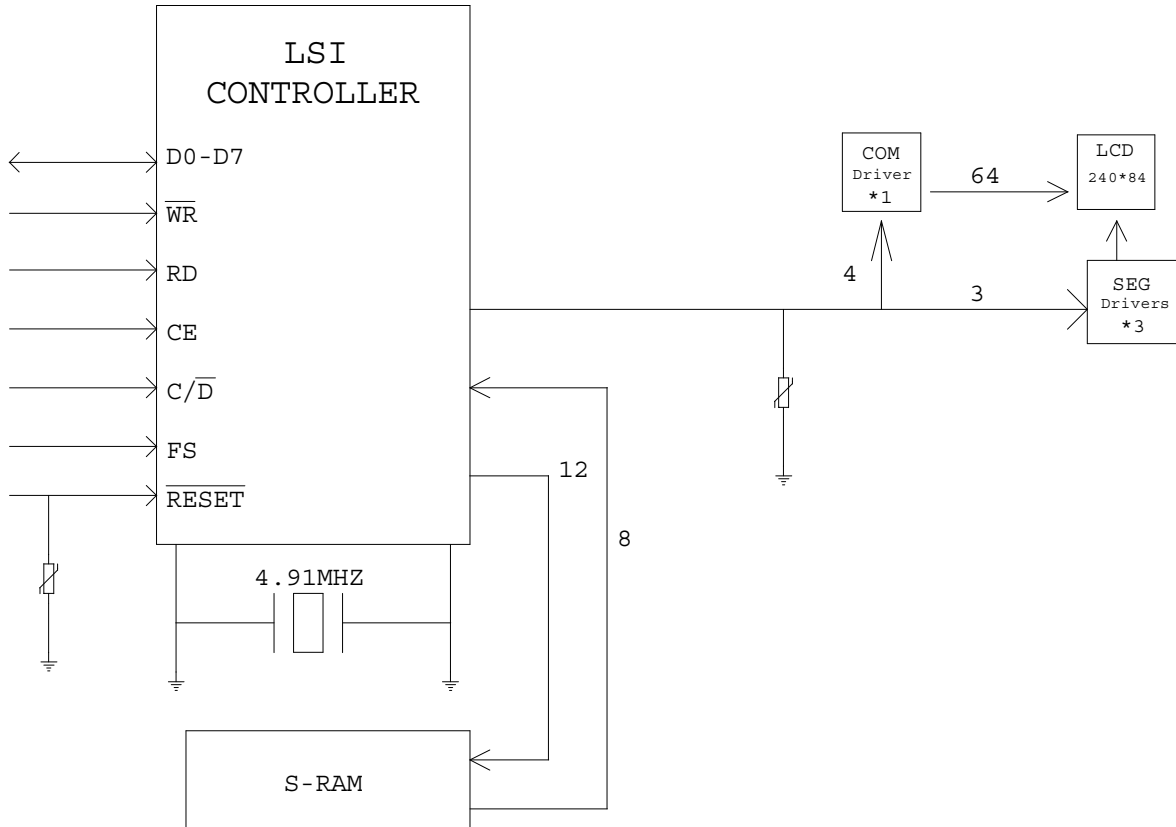
KEYBOARD PROTECTION



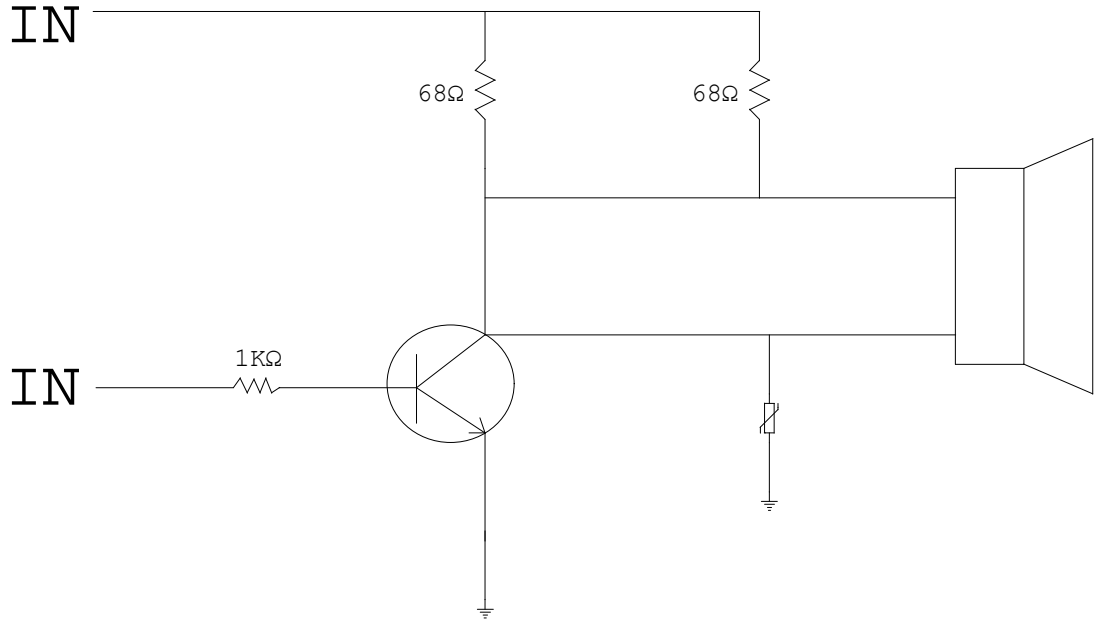
I/O PORT PROTECTION



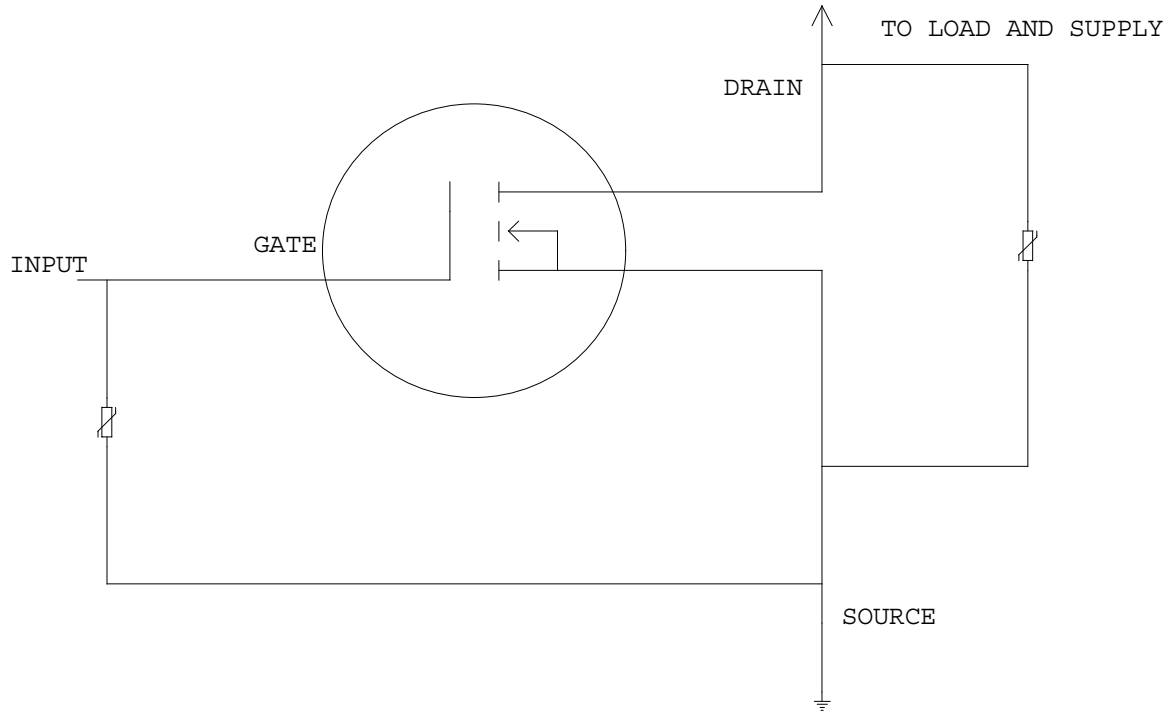
LCD PROTECTION



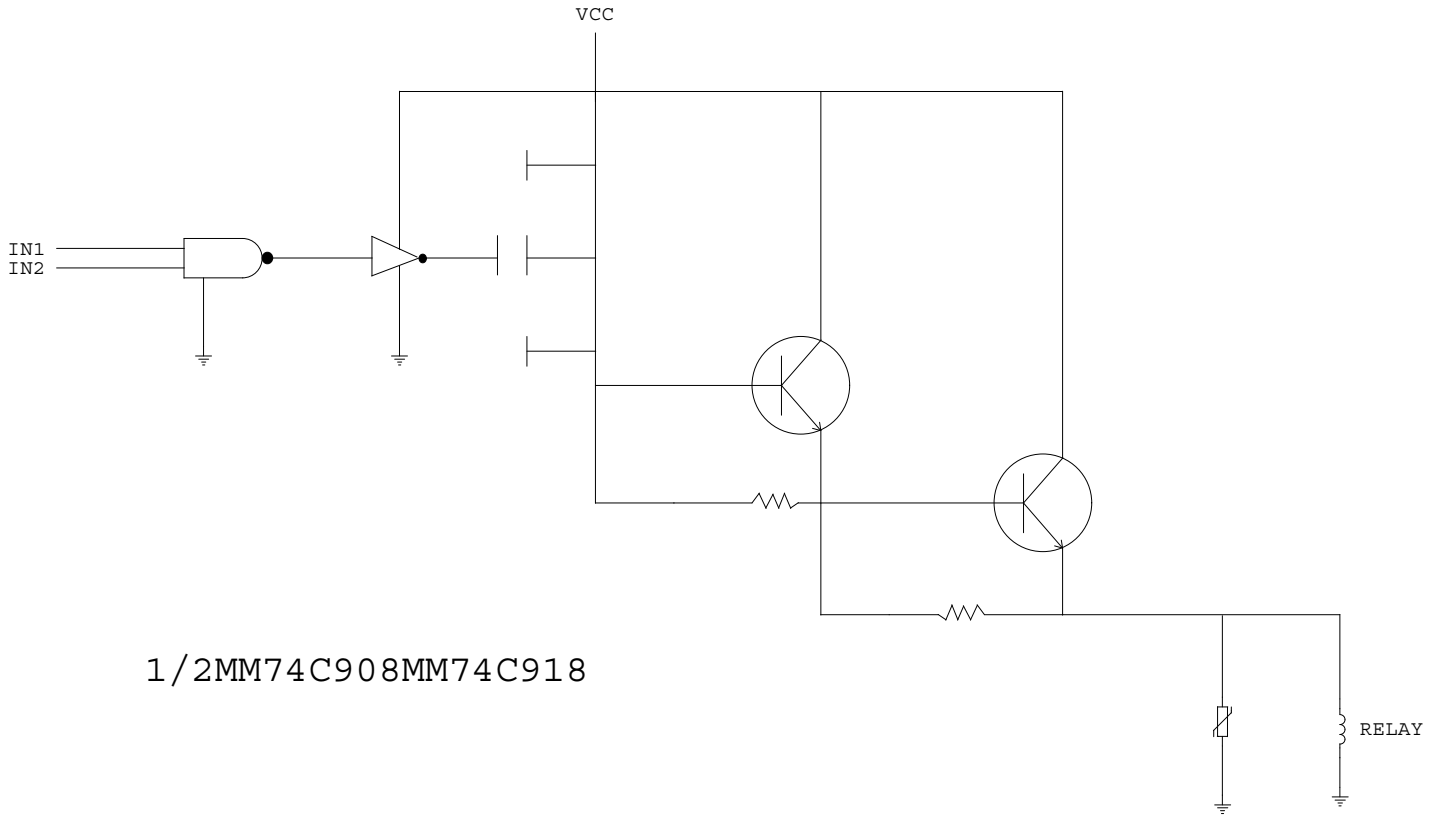
AUDIO CIRCUIT PROTECTION



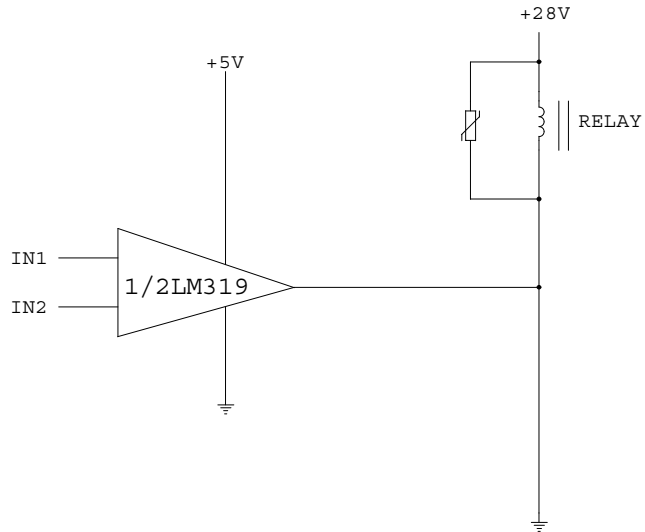
MOSFET PROTECTION



CMOS RELAY DRIVERS PROTECTION



LM319 RELAY DRIVERS PROTECTION



TYPICAL SENEOR PROTECTION

