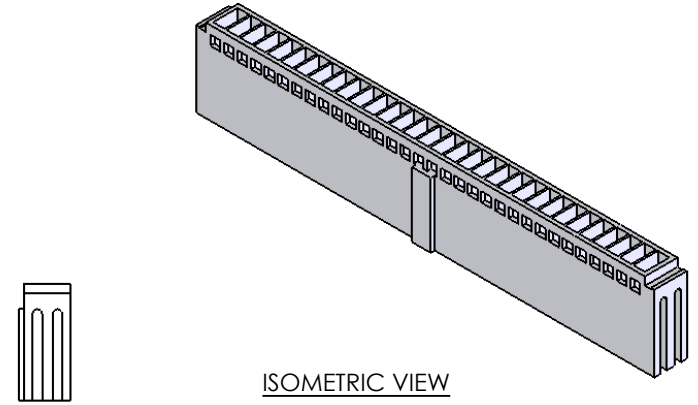
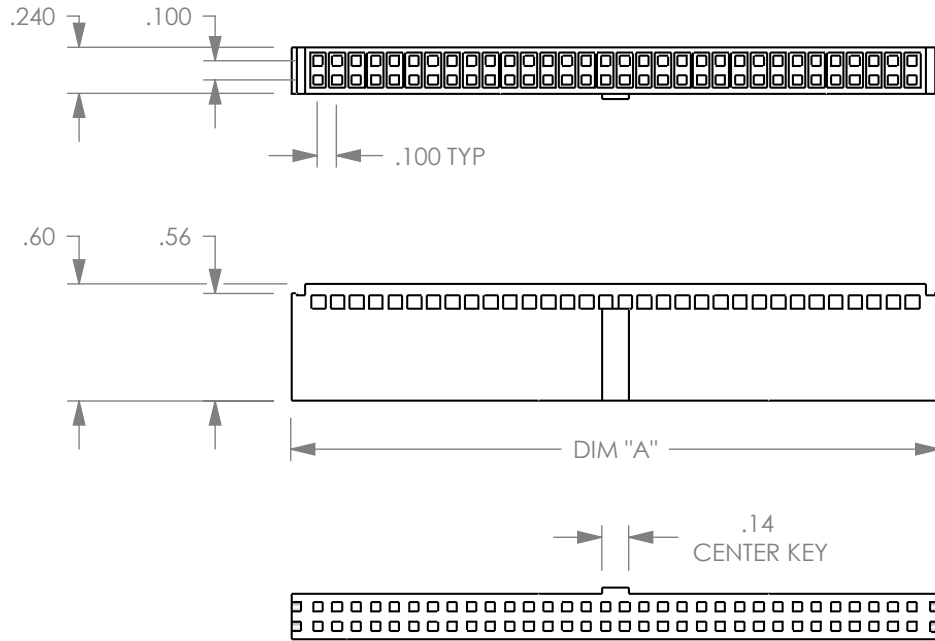


8 7 6 5 4 3 2 1


THE INFORMATION CONTAINED IN THIS DRAWING IS THE SOLE PROPERTY OF JOY SIGNAL TECHNOLOGY ANY REPRODUCTION IN PART OR WHOLE WITHOUT THE WRITTEN PERMISSION OF JOY SIGNAL TECHNOLOGY IS PROHIBITED.

REV	DESCRIPTION	DATE	INITIAL



ISOMETRIC VIEW

CONFIGURATION	NO. POSITIONS	DIMENSION "A"	SSC NUMBER	JOY PART NUMBER
2 X 5	10	.68	SSC-3-10	9-490017
2 X 7	14	.88	SSC-3-14	9-490029
2 X 8	16	.98	SSC-3-16	9-490012
2 X 10	20	1.18	SSC-3-20	9-490030
2 X 13	26	1.48	SSC-3-26	9-490019
2 X 17	34	1.88	SSC-3-34	9-490016
2 X 20	40	2.18	SSC-3-40	9-490022
2 X 25	50	2.68	SSC-3-50	9-490014
2 X 30	60	3.18	SSC-3-60	9-490085
2 X 32	64	3.38	SSC-3-64	9-490020

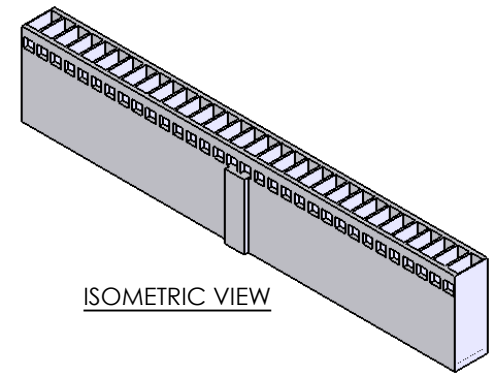
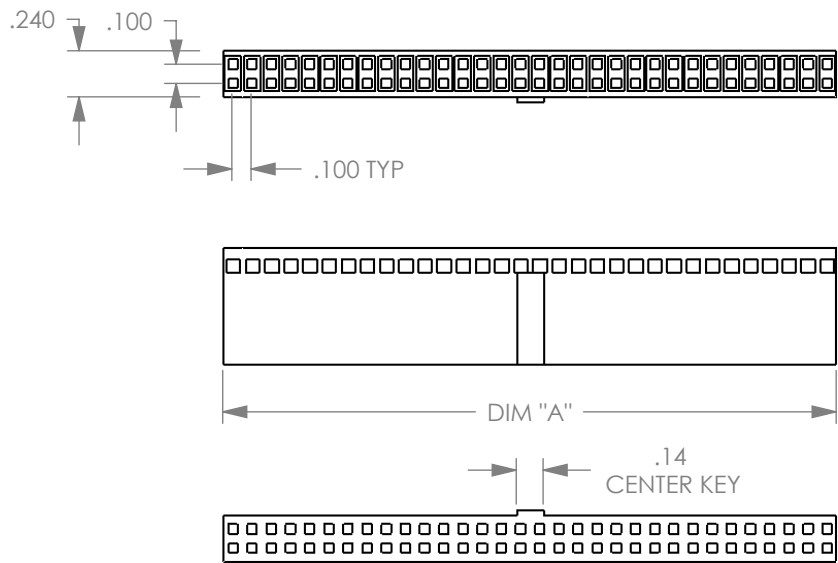
ITEM NO.	PART OR IDENTIFYING NO.	NOMENCLATURE OR DESCRIPTION	MATERIAL SPECIFICATION	QTY REQD
PARTS LIST				
UNLESS OTHERWISE SPECIFIED DIMENSIONS ARE IN INCHES TOLERANCES ARE: FRACTIONS DECIMALS ANGLES .XX: ±0.01 Angles ±.5° .XXX: ±0.005 Fin: 125/		CAD GENERATED DRAWING, DO NOT MANUALLY UPDATE		 <b>DUAL ROW LATCH AND EJECT WITH CENTER KEY SSC HOUSING</b> -3
MATERIAL SEE NOTE 1		APPROVALS	DATE	
FINISH --		DRAWN VW	2/6/07	
NEXT ASSY USED ON		CHECKED MS	6/29/07	
APPLICATION DO NOT SCALE DRAWING		RESP ENG JJ	2/6/07	
		MFG ENG		
		QUAL ENG		
SIZE A	DWG. NO. SSC-3	REV. A		
SCALE	CAD FILE: SSC-3	SHEET 1 OF 1		

NOTES:  
 1. MATERIAL: BLACK THERMOPLASTIC, RATED UL94 V-O  
 2. TEMPERATURE RANGE USAGE: -40°C TO +105°C

8 7 6 5 4 3 2 1

THE INFORMATION CONTAINED IN THIS DRAWING IS THE SOLE PROPERTY OF JOY SIGNAL TECHNOLOGY ANY REPRODUCTION IN PART OR WHOLE WITHOUT THE WRITTEN PERMISSION OF JOY SIGNAL TECHNOLOGY IS PROHIBITED.

REV	DESCRIPTION	DATE	INITIAL




ISOMETRIC VIEW

CONFIGURATION	NO. POSITIONS	DIMENSION "A"	SSC NUMBER	JOY PART NUMBER
2 X 4	8	.41	SSC-4-8	9-490415
2 X 5	10	.51	SSC-4-10	9-490134
2 X 6	12	.61	SSC-4-12	9-490081
2 X 7	14	.71	SSC-4-14	9-490402
2 X 8	16	.81	SSC-4-16	9-490095
2 X 9	18	.91	SSC-4-18	9-490246
2 X 10	20	1.01	SSC-4-20	9-490054
2 X 12	24	1.21	SSC-4-24	9-490112
2 X 13	26	1.31	SSC-4-26	9-490292
2 X 16	32	1.61	SSC-4-32	9-490258
2 X 17	34	1.71	SSC-4-34	9-490039
2 X 18	36	1.81	SSC-4-36	9-490417
2 X 20	40	2.01	SSC-4-40	9-490074
2 X 22	44	2.21	SSC-4-44	9-490097
2 X 25	50	2.51	SSC-4-50	9-490066
2 X 30	60	3.01	SSC-4-60	9-490116
2 X 32	64	3.21	SSC-4-64	9-490094

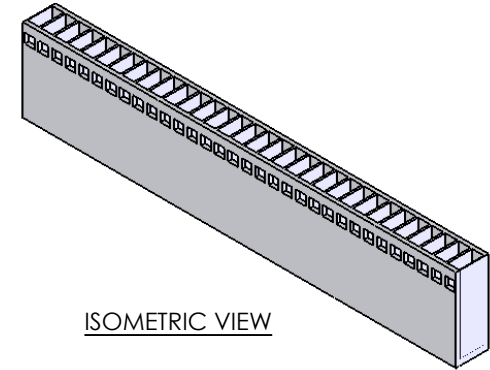
OTHER SIZES AVAILABLE. CONTACT FACTORY FOR DETAILS.

NOTES:  
 1. MATERIAL: BLACK THERMOPLASTIC, RATED UL94 V-O  
 2. TEMPERATURE RANGE USAGE: -40°C TO +105°C

ITEM NO.	PART OR IDENTIFYING NO.	NOMENCLATURE OR DESCRIPTION	MATERIAL SPECIFICATION	QTY REQD
PARTS LIST				
UNLESS OTHERWISE SPECIFIED DIMENSIONS ARE IN INCHES TOLERANCES ARE: FRACTIONS DECIMALS ANGLES .XX: ±0.01 Angles ±.5° .XXX: ±0.005 Fin: 125		CAD GENERATED DRAWING, DO NOT MANUALLY UPDATE		 <b>DUAL ROW FULL WALL WITH CENTER KEY SSC HOUSING</b> -4
APPROVALS		DATE		
DRAWN	VW	2/5/07		
CHECKED	MS	7/2/07		
RESP ENG	JJ	2/5/07		
MATERIAL	SEE NOTE 1			MFG ENG
FINISH	--			QUAL ENG
NEXT ASSY	USED ON	APPLICATION		DO NOT SCALE DRAWING
SCALE		DWG. NO.		REV.
A		SSC-4		A
SCALE		CAD FILE: SSC-4		SHEET 1 OF 1

THE INFORMATION CONTAINED IN THIS DRAWING IS THE SOLE PROPERTY OF JOY SIGNAL TECHNOLOGY ANY REPRODUCTION IN PART OR WHOLE WITHOUT THE WRITTEN PERMISSION OF JOY SIGNAL TECHNOLOGY IS PROHIBITED.


REV	DESCRIPTION	DATE	INITIAL



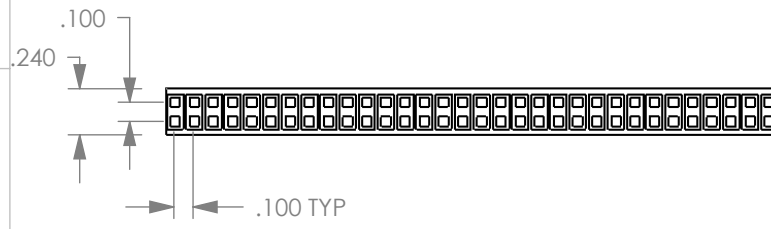
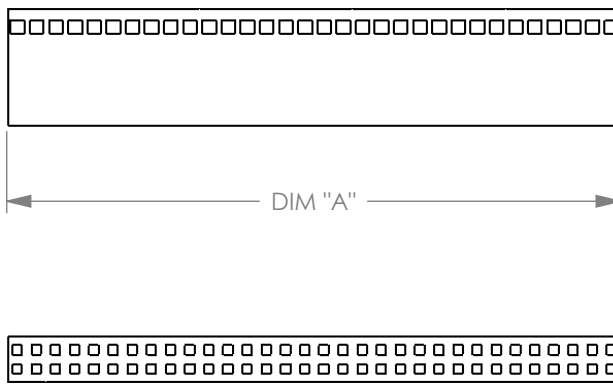
ISOMETRIC VIEW

CONFIGURATION	NO. POSITIONS	DIMENSION "A"	SSC NUMBER	JOY PART NUMBER
2 X 2	4	.21	SSC-5-4	9-490498
2 X 3	6	.31	SSC-5-6	9-490060
2 X 4	8	.41	SSC-5-8	9-490093
2 X 5	10	.51	SSC-5-10	9-490316
2 X 6	12	.61	SSC-5-12	9-490035
2 X 7	14	.71	SSC-5-14	9-490243
2 X 8	16	.81	SSC-5-16	9-490205
2 X 10	20	1.01	SSC-5-20	9-490036
2 X 12	24	1.21	SSC-5-24	9-490059
2 X 13	26	1.31	SSC-5-26	9-490393
2 X 14	28	1.41	SSC-5-28	9-490073
2 X 16	32	1.61	SSC-5-32	9-490027
2 X 17	34	1.71	SSC-5-34	9-490251
2 X 18	36	1.81	SSC-5-36	9-490252
2 X 19	38	1.91	SSC-5-38	9-490405
2 X 20	40	2.01	SSC-5-40	9-490188
2 X 21	42	2.11	SSC-5-42	9-490304
2 X 22	44	2.21	SSC-5-44	9-490381
2 X 24	48	2.41	SSC-5-48	9-490018
2 X 25	50	2.51	SSC-5-50	9-490028
2 X 26	52	2.61	SSC-5-52	9-490386
2 X 28	56	2.81	SSC-5-56	9-490323
2 X 30	60	3.01	SSC-5-60	9-490269
2 X 32	64	3.21	SSC-5-64	9-490021

OTHER SIZES AVAILABLE. CONTACT FACTORY FOR DETAILS.

ITEM NO.	PART OR IDENTIFYING NO.	NOMENCLATURE OR DESCRIPTION	MATERIAL SPECIFICATION	QTY REQD	
PARTS LIST					
UNLESS OTHERWISE SPECIFIED DIMENSIONS ARE IN INCHES TOLERANCES ARE: FRACTIONS DECIMALS ANGLES .XX: ±0.01 .XXX: ±0.005 Fin: 125		CAD GENERATED DRAWING, DO NOT MANUALLY UPDATE		 <b>DUAL ROW FULL WALL NO KEY SSC HOUSING</b> -5	
MATERIAL <b>SEE NOTE 1</b>		APPROVALS	DATE		
FINISH --		DRAWN VW	2/5/07		
NEXT ASSY USED ON		CHECKED MS	6/29/07		
APPLICATION		RESP ENG JJ	2/5/07		
DO NOT SCALE DRAWING		MFG ENG		QUAL ENG	
		SCALE	DWG. NO. SSC-5	REV. A	
		CAD FILE: SSC-5	SHEET 1 OF 1		

NOTES:  
1. MATERIAL: BLACK THERMOPLASTIC, RATED UL94 V-O  
2. TEMPERATURE RANGE USAGE: -40°C TO +105°C



8 7 6 5 4 3 2 1

D

C

B

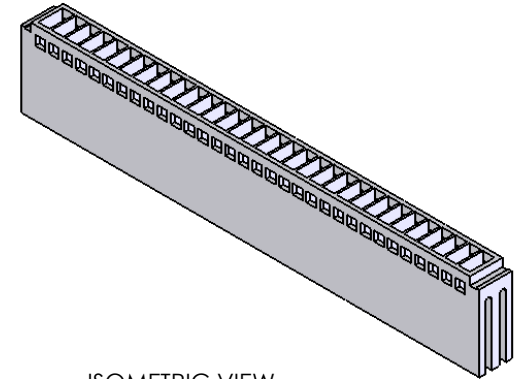
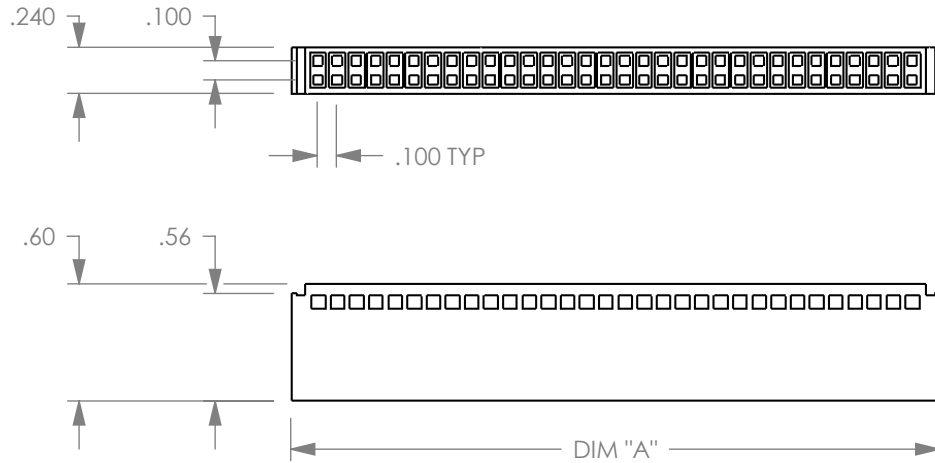
A

8 7 6 5 4 3 2 1

8 7 6 5 4 3 2 1

THE INFORMATION CONTAINED IN THIS DRAWING IS THE SOLE PROPERTY OF JOY SIGNAL TECHNOLOGY ANY REPRODUCTION IN PART OR WHOLE WITHOUT THE WRITTEN PERMISSION OF JOY SIGNAL TECHNOLOGY IS PROHIBITED.


REV	DESCRIPTION	DATE	INITIAL



ISOMETRIC VIEW



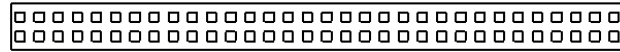
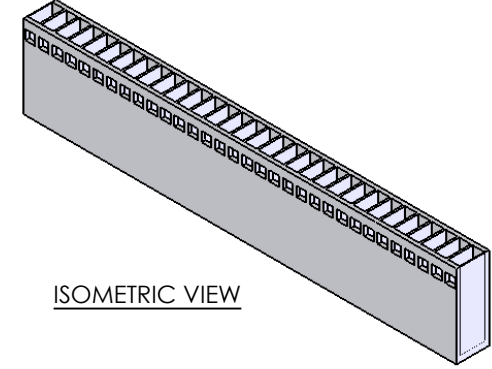
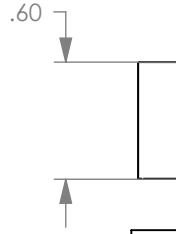
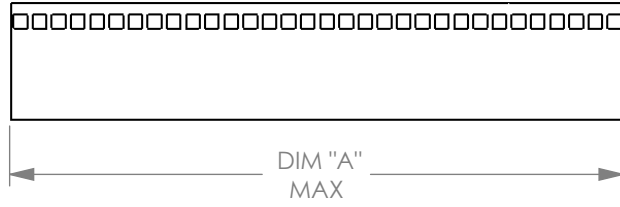
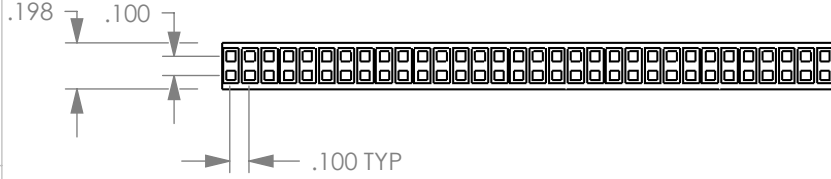
CONFIGURATION	NO. POSITIONS	DIMENSION "A"	SSC NUMBER	JOY PART NUMBER
2 X 5	10	.68	SSC-9-10	9-490127
2 X 8	16	.98	SSC-9-16	9-490296
2 X 10	20	1.18	SSC-9-20	9-490111
2 X 13	26	1.48	SSC-9-26	9-490144
2 X 17	34	1.88	SSC-9-34	9-490107
2 X 20	40	2.18	SSC-9-40	9-490108
2 X 25	50	2.68	SSC-9-50	9-490117
2 X 30	60	3.18	SSC-9-60	9-490110
2 X 32	64	3.38	SSC-9-64	9-490084

ITEM NO.	PART OR IDENTIFYING NO.	NOMENCLATURE OR DESCRIPTION	MATERIAL SPECIFICATION	QTY REQD
PARTS LIST				
UNLESS OTHERWISE SPECIFIED DIMENSIONS ARE IN INCHES TOLERANCES ARE: FRACTIONS DECIMALS ANGLES		CAD GENERATED DRAWING, DO NOT MANUALLY UPDATE		 <b>DUAL ROW LATCH AND EJECT, NO KEY, SSC HOUSING</b> -9
.XX: ±0.01 Angles ±.5°		APPROVALS	DATE	
.XXX: ±0.005 Fin: 125/		DRAWN	VW 2/6/07	
MATERIAL SEE NOTE 1		CHECKED	MS 6/29/07	
FINISH --		RESP ENG	JJ 2/6/07	
NEXT ASSY	USED ON	MFG ENG		
APPLICATION DO NOT SCALE DRAWING		QUAL ENG		
SIZE A	DWG. NO. SSC-9	REV. A		
SCALE	CAD FILE: SSC-9	SHEET 1 OF 1		

NOTES:  
 1. MATERIAL: BLACK THERMOPLASTIC, RATED UL94 V-O  
 2. TEMPERATURE RANGE USAGE: -40°C TO +105°C

THE INFORMATION CONTAINED IN THIS DRAWING IS THE SOLE PROPERTY OF JOY SIGNAL TECHNOLOGY ANY REPRODUCTION IN PART OR WHOLE WITHOUT THE WRITTEN PERMISSION OF JOY SIGNAL TECHNOLOGY IS PROHIBITED.

REV	DESCRIPTION	DATE	INITIAL



CONFIGURATION	NO. POSITIONS	DIMENSION "A"	SSC NUMBER	JOY PART NUMBER
2 X 2	4	.200	SSC-21-4	9-490369
2 X 3	6	.300	SSC-21-6	9-490361
2 X 4	8	.400	SSC-21-8	9-490190
2 X 5	10	.500	SSC-21-10	9-490368
2 X 6	12	.600	SSC-21-12	9-490192
2 X 7	14	.700	SSC-21-14	9-490367
2 X 8	16	.800	SSC-21-16	9-490370
2 X 9	18	.900	SSC-21-18	9-490120
2 X 10	20	1.000	SSC-21-20	9-490355
2 X 11	22	1.100	SSC-21-22	9-490464
2 X 12	24	1.200	SSC-21-24	9-490103
2 X 13	26	1.300	SSC-21-26	9-490454
2 X 14	28	1.400	SSC-21-28	9-490363
2 X 16	32	1.600	SSC-21-32	9-490441
2 X 17	34	1.700	SSC-21-34	9-490225
2 X 19	38	1.900	SSC-21-38	9-490104
2 X 20	40	2.000	SSC-21-40	9-490105
2 X 21	42	2.100	SSC-21-42	9-490496
2 X 22	44	2.200	SSC-21-44	9-490121
2 X 23	46	2.300	SSC-21-46	9-490372
2 X 25	50	2.500	SSC-21-50	9-490122

OTHER SIZES AVAILABLE. CONTACT FACTORY FOR DETAILS.

NOTES:  
 1. MATERIAL: BLACK THERMOPLASTIC, RATED UL94 V-O  
 2. TEMPERATURE RANGE USAGE: -40°C TO +105°C

ITEM NO.	PART OR IDENTIFYING NO.	NOMENCLATURE OR DESCRIPTION	MATERIAL SPECIFICATION	QTY REQD
PARTS LIST				
UNLESS OTHERWISE SPECIFIED DIMENSIONS ARE IN INCHES TOLERANCES ARE: FRACTIONS DECIMALS ANGLES .XX: ±0.01 Angles ±.5° .XXX: ±0.005 Fin: 125/		CAD GENERATED DRAWING, DO NOT MANUALLY UPDATE		<p>DUAL ROW TRUE END AND SIDE STACKABLE SSC HOUSING -21</p>
APPROVALS		DATE		
DRAWN	VW	2/5/07		
CHECKED	MS	6/29/07		
RESP ENG	JJ	2/5/07		
MATERIAL	SEE NOTE 1		MFG ENG	
FINISH	--		QUAL ENG	
NEXT ASSY	USED ON	APPLICATION		
		DO NOT SCALE DRAWING		
SIZE A	DWG. NO. SSC-21		REV. A	
SCALE	CAD FILE: SSC-21		SHEET 1 OF 1	