

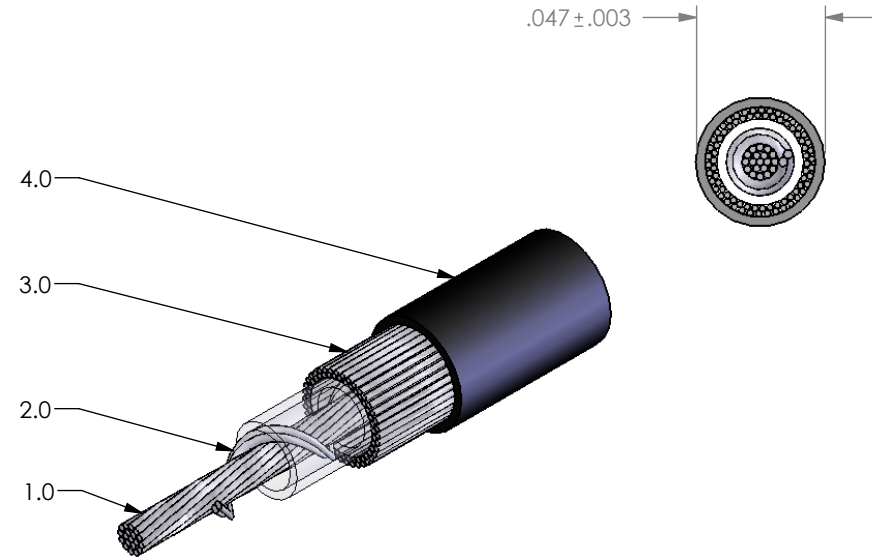
8 7 6 5 4 3 2 1

THE INFORMATION CONTAINED IN THIS DRAWING IS THE SOLE PROPERTY OF JOY SIGNAL TECHNOLOGY ANY REPRODUCTION IN PART OR WHOLE WITHOUT THE WRITTEN PERMISSION OF JOY SIGNAL TECHNOLOGY IS PROHIBITED.


REV	DESCRIPTION	DATE	INITIAL

SPECIFICATIONS

- 1.0 SIGNAL CONDUCTOR:
 SIZE: 30 AWG
 MATERIAL: SILVER PLATED COPPER
 CONSTRUCTION: 19 X 42
 - 2.0 INSULATION:
 FILAMENT(NOM): 2 @ PFA, ϕ .0032", BLUE
 - CORE TUBE:
 MATERIAL(NOM): FEP, .003" WALL THICKNESS
 OD(NOM): ϕ .029"
 - 3.0 SHIELD:
 SIZE: 44 AWG SPC
 COVERAGE (MIN.): 90%
 OD: .037"
 - 4.0 JACKET:
 MATERIAL: POLYURETHANE
 WALL THICKNESS (NOM.): .005"
 OD: .047" \pm .003
 COLOR: BLACK
 - 5.0 ELECTRICAL CHARACTERISTICS:
 IMPEDANCE: 50 ohms \pm 2 ohms
 CAPACITANCE(NOM): 23.0 pF/ft
 PROPAGATION DELAY: 1.15 \pm 0.01 ns/ft
 U.L. STYLE: 10186
- SPECIAL NOTES: SPOOL OD: 12" MAX
 SPOOL WIDTH: 9" MAX
 SPINDLE DIA: 1-1/2" \pm .25"



JOY SIGNAL CATALOG CODE: 14

ITEM NO.	PART OR IDENTIFYING NO.	NOMENCLATURE OR DESCRIPTION	MATERIAL SPECIFICATION	QTY REQD
PARTS LIST				
UNLESS OTHERWISE SPECIFIED DIMENSIONS ARE IN INCHES TOLERANCES ARE: FRACTIONS DECIMALS ANGLES .XX : \pm .01 .XXX : \pm .005		CAD GENERATED DRAWING, DO NOT MANUALLY UPDATE		 COAX,50 OHM,30 AWG, POLYURETHANE JACKET, FILAMENT INSULATION
MATERIAL SEE NOTES		APPROVALS	DATE	
FINISH --		DRAWN VW	5/19/08	
NEXT ASSY USED ON		CHECKED		
APPLICATION		RESP ENG JJ	5/19/08	
DO NOT SCALE DRAWING		MFG ENG		
		QUAL ENG		
		SIZE A	DWG. NO. 790244	REV. 1
		SCALE	CAD FILE: 790244	SHEET 1 OF 1