

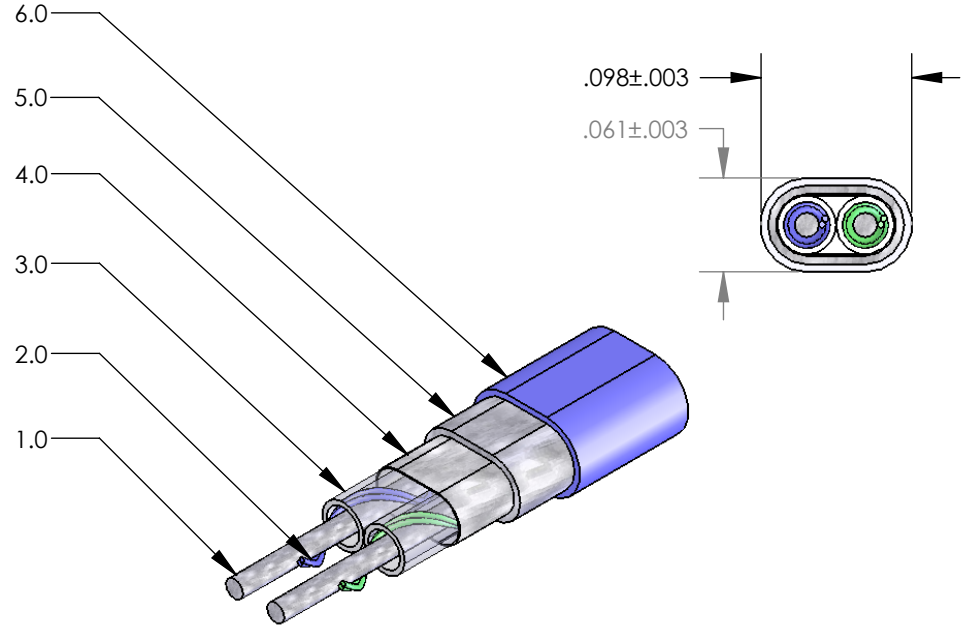
8 7 6 5 4 3 2 1

THE INFORMATION CONTAINED IN THIS DRAWING IS THE SOLE PROPERTY OF JOY SIGNAL TECHNOLOGY. ANY REPRODUCTION IN PART OR WHOLE WITHOUT THE WRITTEN PERMISSION OF JOY SIGNAL TECHNOLOGY IS PROHIBITED.

REVISIONS					
ZONE	REV.	DESCRIPTION	ECO	DATE	APPROVED
	03	REMOVED NOTES	150138	12/31/2015	CAS

SPECIFICATIONS

- 1.0 SIGNAL CONDUCTOR:
 SIZE: 26 AWG
 MATERIAL: SOLID SILVER PLATED COPPER
 OD (NOM.): $\phi .0159$
- 2.0 INSULATION:
 FILAMENT(NOM): 4@PFA, .0043
 COLOR: 1. BLUE 2. GREEN
- 3.0 CORE TUBE(NOM): .004 WALL, $\phi .038$
 MATERIAL: FEP
- 4.0 FOIL SHIELD:
 SIZE(NOM): .00035" ALUMINUM/.001" POLYPROPYLENE TAPE WRAP,
 ALUMINUM SIDE OUT
- 5.0 SERVED SHIELD:
 SIZE: 40 AT 38 AWG, $\phi .051 \times .088$ NOM.
 MATERIAL: SILVER PLATED COPPER
- 6.0 JACKET:
 MATERIAL: FEP
 WALL THICKNESS (NOM.) .005"
 OD: $.098 \pm .003 \times .061 \pm .003$
 COLOR: BLUE
- 7.0 ELECTRICAL CHARACTERISTICS:
 DIFFERENTIAL IMPEDANCE: 100 ohms ± 5 ohms
 CAPACITANCE(NOM): 11.5 pF/ft
 PROPAGATION DELAY: 1.15 $\pm .01$ ns/ft
 WITHIN PAIR SKEW: <5 ps/FT
 ATTENUATION:
 -0.11dB/m @10MHZ
 -0.26 dB/m @100MHZ
 VOLTAGE RATING: 100V
- 8.0 TEMPERATURE RATING: -20° C TO 105° C
- 9.0 MIN BEND RADIUS: 0.3"
- 10.0 PACKAGING REQUIREMENTS:
 SPOOL OD: 12" MAX
 SPOOL WIDTH: 9" MAX
 SPINDLE DIA: 1-1/2" $\pm .25$ "
- 11.0 JOY SIGNAL CATALOG CODE: 51



UNLESS OTHERWISE SPECIFIED DIMENSIONS ARE IN INCHES TOLERANCES ARE: .XX: ± 0.01 ANGLES $\pm 5^\circ$.XXX: ± 0.005 FIN:	INTERPRET DRAWING PER ASME Y14.5-2009				
	APPROVALS	DATE			
	DRAWN VW	10/31/05	TWINAX, 100 OHM, 26AWG, FEP JACKET, FILAMENT INSULATION		
	CHECKED LM	11/14/05			
MATERIAL	RESP ENG	SIZE A	DWG. NO. 790174	REV. 03	
FINISH		SCALE 4:1		SHEET 1 OF 1	
DO NOT SCALE DRAWING	THIRD ANGLE PROJECTION				

8 7 6 5 4 3 2 1