

# The BEST device is effective for the earlier detection of a deteriorated storage battery.

Float voltage measurement

Internal resistance measurement

The electric discharge measurement for 1 second.

It is possible to improve the reliability of the storage battery equipment by checking the quality of each cell, and removing the deterioration cell.

It can be measured in the practical use.

- The constant current electric discharge is performed for 0.5 seconds, and the discharge voltage and the recovery voltage are measured automatically.
- The electrical discharge current is easily selected depends on the capacity of a cell.
- A semiconductor is applied as the electric load.
- A cell voltage of 121 points for each cell is measured automatically for 1 second.
- Data is transmitted to the personal computer with the USB conversion cable .
- The analysis of life expectance and deterioration is easy with various graph data.

BEST 600mx2



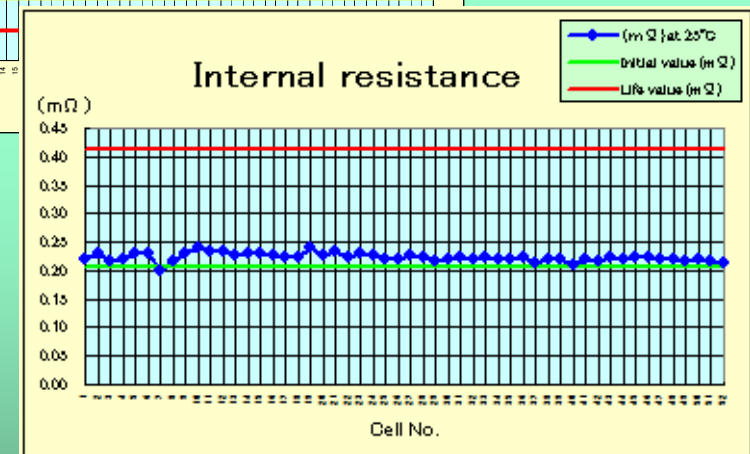
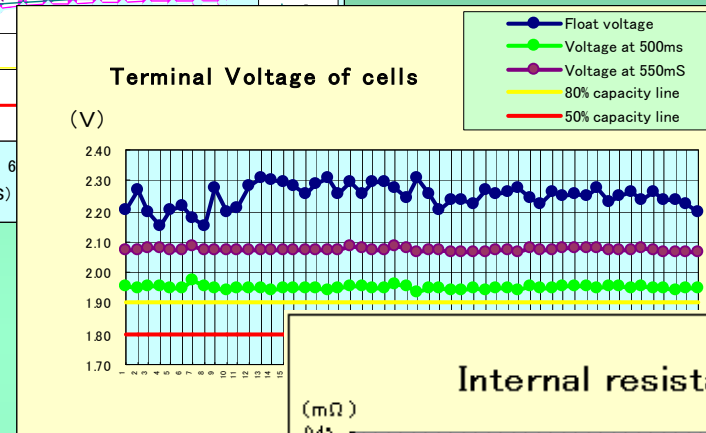
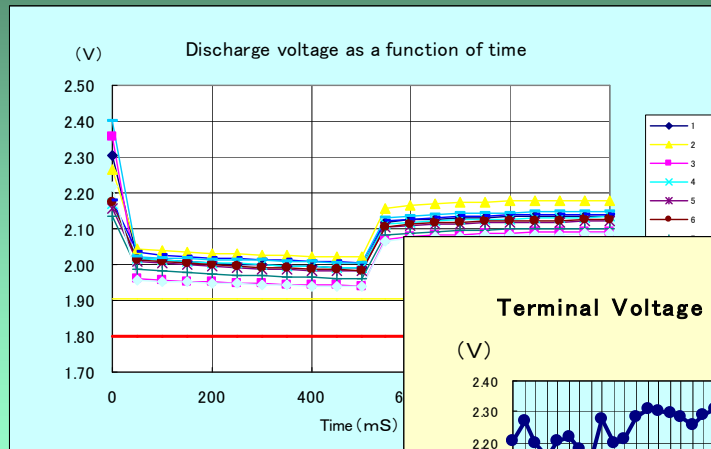
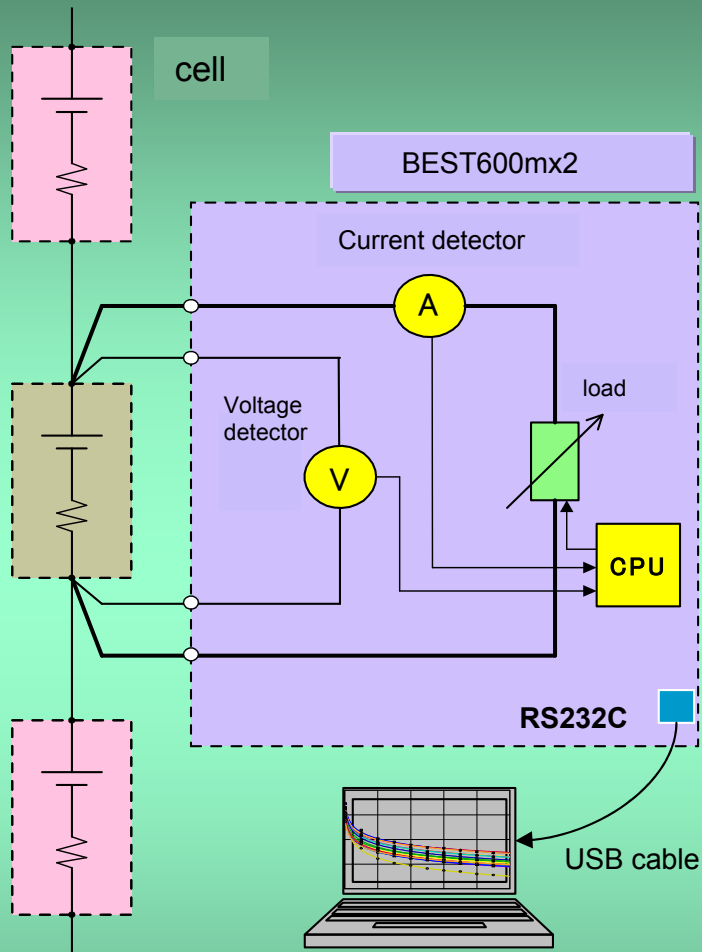
size : 180 × 270 × 150 mm weight : 5kg

*B-BEST Inc. has developed an on-line battery discharging device which can detect the deteriorated battery before cell can cause system failure.*

## BEST LINE UP

- 1) BEST 300mx2 ( 1V , 2V )  
 $10 \leq A \leq 300$
- 2) BEST 600mx2 ( 1V , 2V )  
 $10 \leq A \leq 600$
- 3) BEST 2000mx2 ( 1V , 2V )  
 $50 \leq A \leq 2000$
- 4) BEST 120mx12 ( 6V , 12V )  
 $10 \leq A \leq 120$
- 5) BEST 300mx6 ( 4V , 6V )  
 $10 \leq A \leq 300$
- 6) BEST 600np2 ( 1V , 2V )  
 $10 \leq A \leq 600$

# The BEST device can be used for various storage batteries.



## Specifications

- **Power supply**  
DC 12V NiCad Battery  
(continuous use : 6H, Charge : 30 min)
- **Number of memory files**  
30 files (Max 999 cells per 1 file)
- **Measurement precision**  
Voltage : 1% of full scale  
Current : 2% of full scale
- **Communication**  
Upload to PC with USB cable
- **LCD**  
The liquid crystal panel of two line and 16 digit
- **Interface software**  
Data transfer soft  
Diagnosis report soft  
USB cereal converter soft

Valve Regulated Battery – VRLA  
Lead-Acid Battery  
Vented Nickel Cadmium battery



**B-BEST, Inc.**  
3-2-2, Iwamotocho, Chiyoda-ku,  
Tokyo 101-0032, Japan  
TEL. +81- 3- 5821-7080  
FAX. +81- 3- 5821-7082  
info@b-best.jp  
<http://www.b-best.jp>