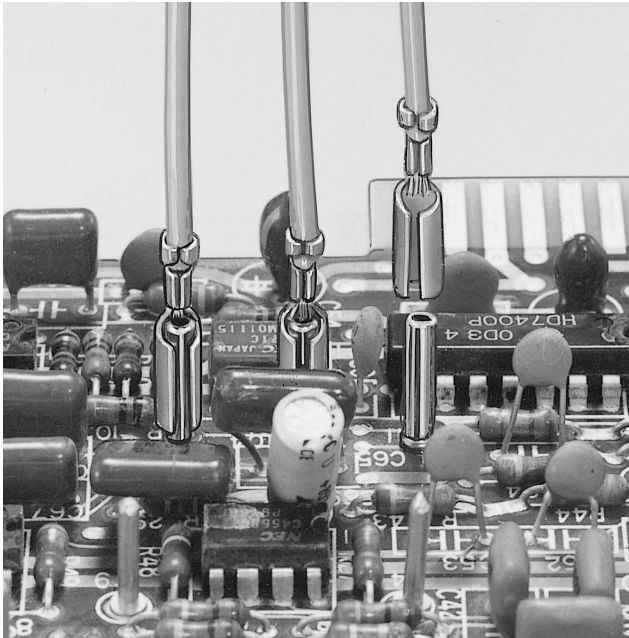


# SPF TERMINAL

*Crimp style terminals for 2.36mm diameter pins*



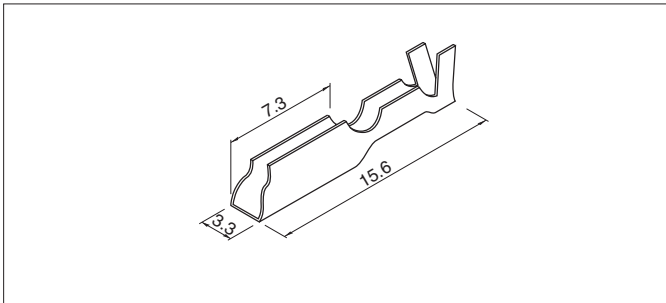
*This terminal is used with 2.36mm diameter GT pins. The SPF terminal has a large contact area, withstands stress caused by repeated insertions and removals, and provides excellent retaining force. It is best suited for circuit connections that require a large current.*

## **Specifications**

---

- Current rating: 5A AC, DC
- Temperature range: -25°C to +85°C  
(including temperature rise in applying electrical current)
- Contact resistance: Initial value/3m Ω max.  
After environmental testing/5m Ω max.
- Applicable wire: AWG #24 to #20
- Applicable PC board thickness: 1.6mm
- \* Compliant with RoHS.
- \* Refer to "General Instruction and Notice when using Terminals and Connectors" at the end of this catalog.
- \* Contact JST for details.

## Terminal



Model No.	Applicable wire			Q'ty / reel
	mm <sup>2</sup>	AWG#	Insulation O.D. (mm)	
<b>SPF-01T-2.5C</b>	0.2 to 0.5	24 to 20	1.6 to 2.7	10,000

### Material and Finish

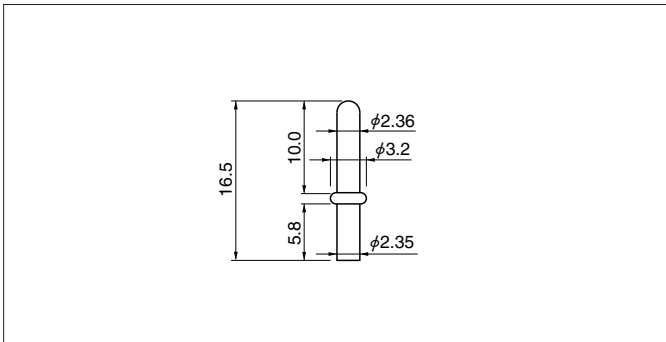
Brass, tin-plated (reflow treatment)

### RoHS compliance

Note:

Contact JST for details if you require shielded wires or wires other than those listed above, or if two wires must be crimped.

## Pin



Model No.	Applicable PC board		Q'ty / box
	Thickness (mm)	Hole diameter (mm) [Reference]	
<b>RT-01N-2.3A</b>	1.6	2.36 ±0.05	5,000

### Material and Finish

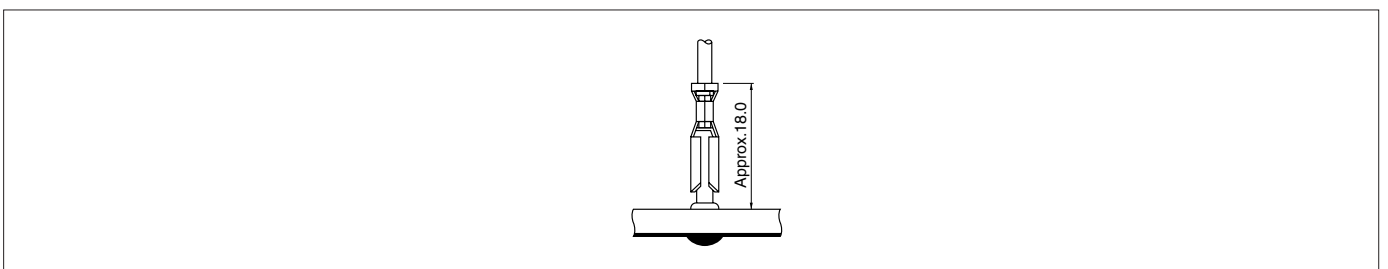
Brass, copper-undercoated, nickel-plated

### RoHS compliance

Note:

Hole dimensions may differ according to the kind of PC board and piercing method.

## Assembly layout



## Crimping machine, Applicator

Contact	Crimping machine	Crimp applicator	Dies	Crimp applicator with dies
<b>SPF-01T-2.5C</b>	AP-K2N	MK-L	MK/SPF-01-25C	APLMK SPF01-25C
		-	-	-