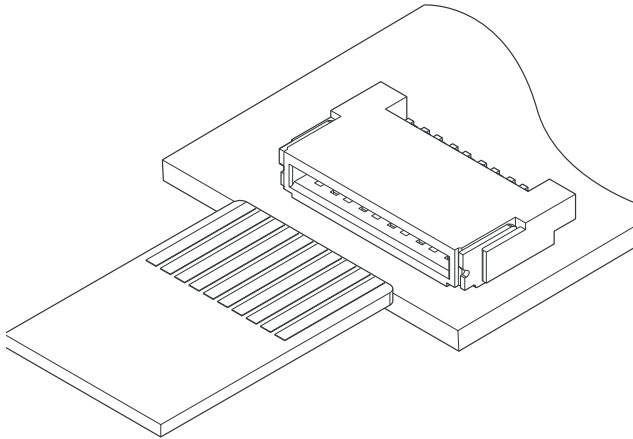


FZA CONNECTOR

0.4mm pitch/Connectors for FPC



This FZA connector is a renewal product of current FZ connector. 0.4 mm pitch Non-ZIF small type connector with a mounting height of 1.0 mm and 3.0 mm in depth.

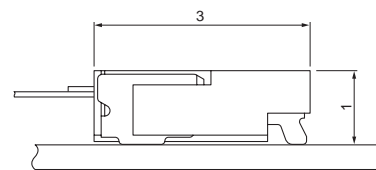
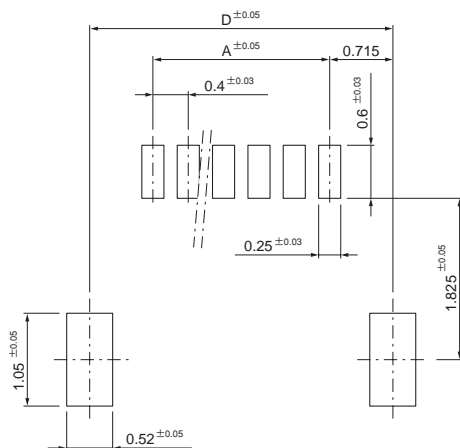
- This is also compatible with mounting pattern of current FZ connector
- Double-sided contact structure

Specifications

- Current rating: 0.5 A AC, DC
- Voltage rating: 50 V AC, DC
- Temperature range: -25°C to +85°C
(including temperature rise in applying electrical current)
- Contact resistance: Initial value/ 40 mΩ max.
After environmental tests/ 30 mΩ max.
(variation from initial value)
- Insulation resistance: 50 MΩ min.
- Withstanding voltage: Initial value; 200 VAC/minute
(After humidity test; 100 VAC/minute)
- Applicable FPC: Conductor pitch/ 0.4 mm
Conductor width/ 0.25 mm
Mating part thickness/ 0.3 ± 0.03 mm

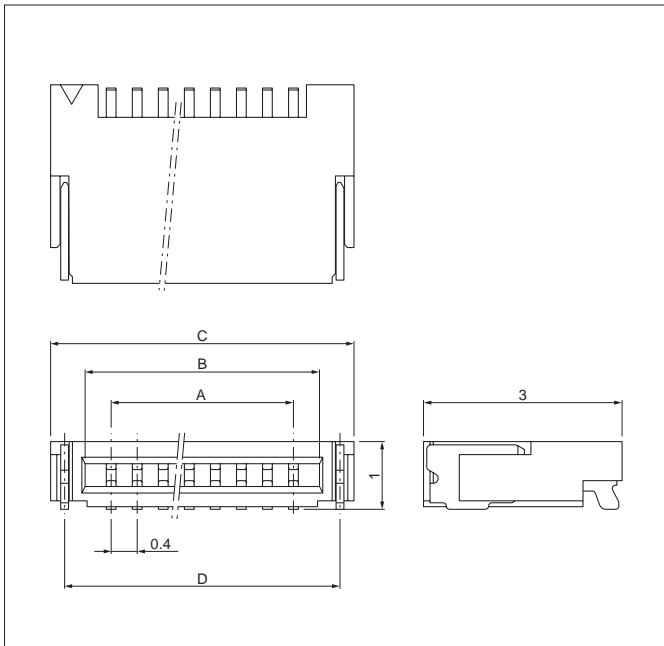
- * Refer to "General Instruction and Notice when using Terminals and Connectors" at the end of this catalog.
- * Contact JST for details.
- * Compliant with RoHS.

PC board layout and Assembly layout



FZA CONNECTOR

Connector



Circuits	Model No.	Dimensions (mm)				Qty/ reel
		A	B	C	D	
4	04FZA-SM1-GAN-TB(HF)	1.2	2.0	3.0	2.63	7,000
5	05FZA-SM1-GAN-TB(HF)	1.6	2.4	3.4	3.03	7,000
6	06FZA-SM1-GAN-TB(HF)	2.0	2.8	3.8	3.43	7,000
7	07FZA-SM1-GAN-TB(HF)	2.4	3.2	4.2	3.83	7,000
8	08FZA-SM1-GAN-TB(HF)	2.8	3.6	4.6	4.23	7,000
10	10FZA-SM1-GAN-TB(HF)	3.6	4.4	5.4	5.03	7,000
12	12FZA-SM1-GAN-TB(HF)	4.4	5.2	6.2	5.83	7,000
13	13FZA-SM1-GAN-TB(HF)	4.8	5.6	6.6	6.23	7,000
14	14FZA-SM1-GAN-TB(HF)	5.2	6.0	7.0	6.63	7,000
16	16FZA-SM1-GAN-TB(HF)	6.0	6.8	7.8	7.43	7,000
20	20FZA-SM1-GAN-TB(HF)	7.6	8.4	9.4	9.03	7,000
22	22FZA-SM1-GAN-TB(HF)	8.4	9.2	10.2	9.83	7,000
24	24FZA-SM1-GAN-TB(HF)	9.2	10.0	11.0	10.63	7,000

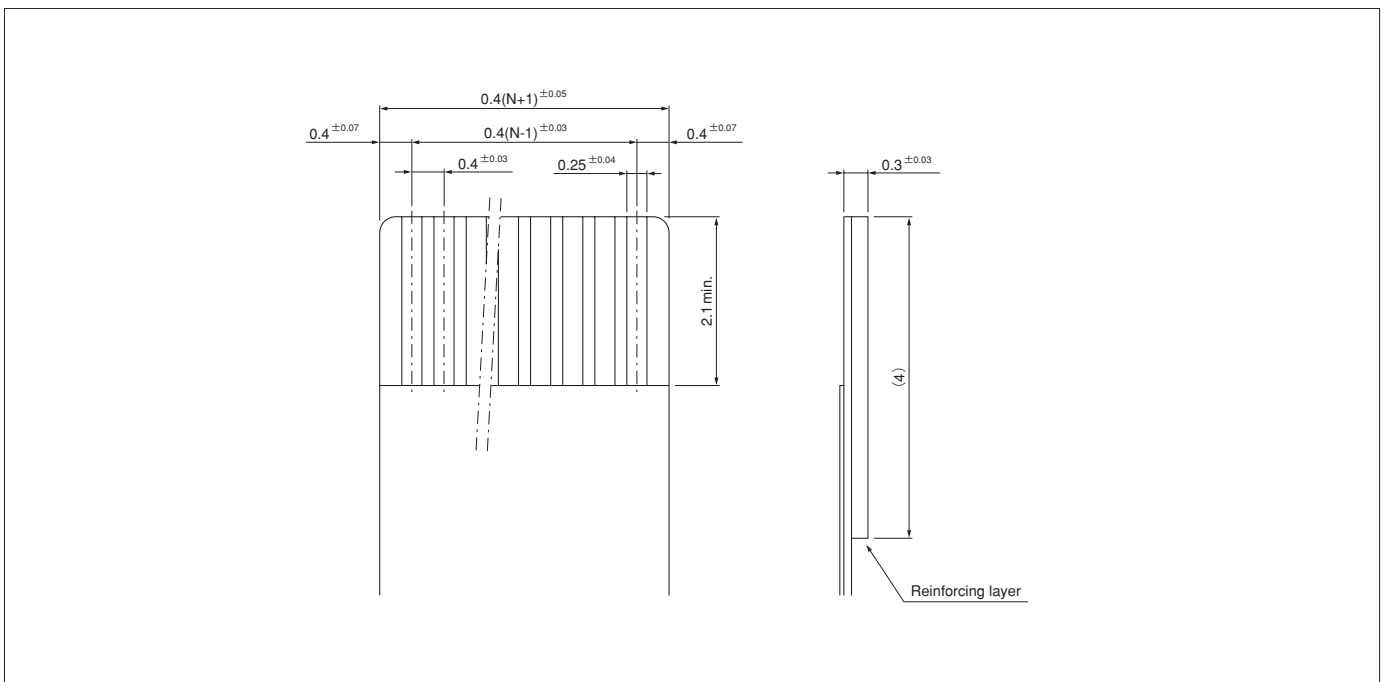
Material and Finish

Contact: Copper alloy, nickel-undercoated, gold-plated
Housing: LCP, black
Reinforcement: Copper alloy, tin-plated

RoHS compliance

Note: This products listed above are supplied on embossed-tape.

Lead section dimensions of FPC



Note: N --- Number of circuits