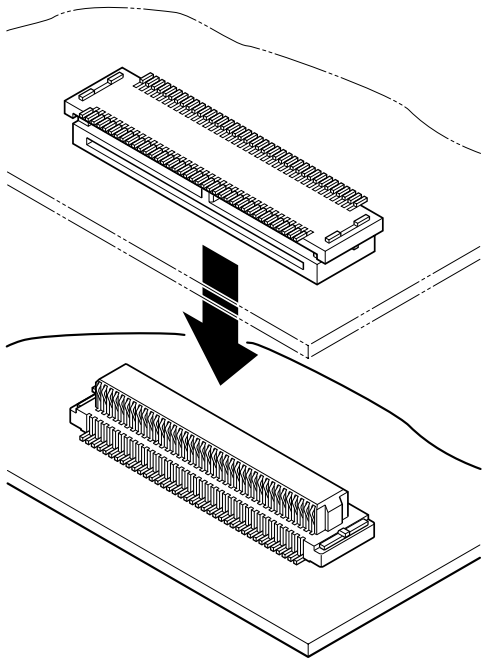


# JAS CONNECTOR

0.4mm pitch/Board-to-board connectors



**0.4 mm pitch, SMT, absorption misalignment type with parallel connection.**

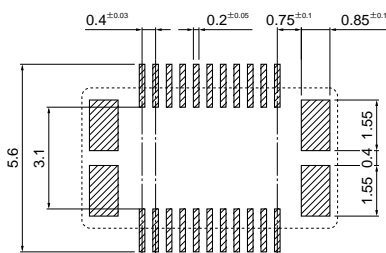
- Absorption misalignment ( $\theta$  direction)
- Double I shaped solder tab

## Specifications

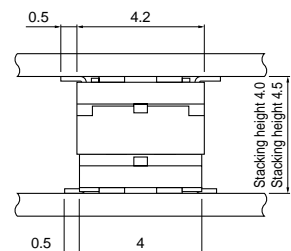
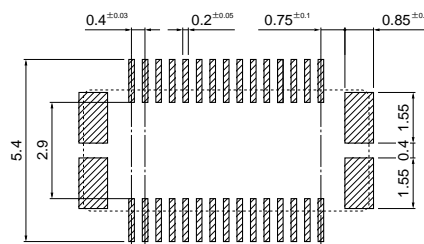
- Current rating: 0.3 A AC, DC
  - Voltage rating: 30 V AC, DC
  - Temperature range:  $-25^{\circ}\text{C}$  to  $+85^{\circ}\text{C}$   
(including temperature rise in applying electrical current)
  - Contact resistance: Initial value/ 70 m $\Omega$  max.  
After environmental tests/ 140 m $\Omega$  max.
  - Insulation resistance: 50 M $\Omega$  min.
  - Withstanding voltage: 100 VAC/minute
- \* Refer to "General Instruction and Notice when using Terminals and Connectors" at the end of this catalog.  
\* Contact JST for details.  
\* Compliant with RoHS.

## PC board layout and Assembly layout

Plug



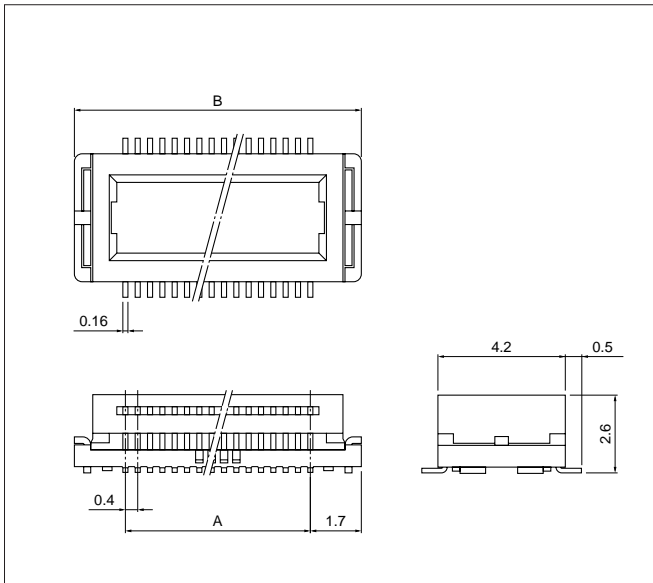
Receptacle



Note: 1. The above figure is the figure viewed from the connector mounting side.  
2. Tolerances are non-cumulative:  $\pm 0.05$  mm for all centers.  
The dimensions above should serve as a guideline. Contact JST for details.

# JAS CONNECTOR

## Plug



| Circuits | Model No.                | Dimensions (mm) |      | Q'ty/<br>reel |
|----------|--------------------------|-----------------|------|---------------|
|          |                          | A               | B    |               |
| 80       | <b>80P-JASKS-GE-TF</b>   | 15.6            | 19.0 | 2,500         |
| 120      | <b>120P-JASKS-GE-TF2</b> | 23.6            | 27.0 | 1,500         |

### Material and Finish

Contact: Phosphor bronze, nickel-undercoated, gold-plated

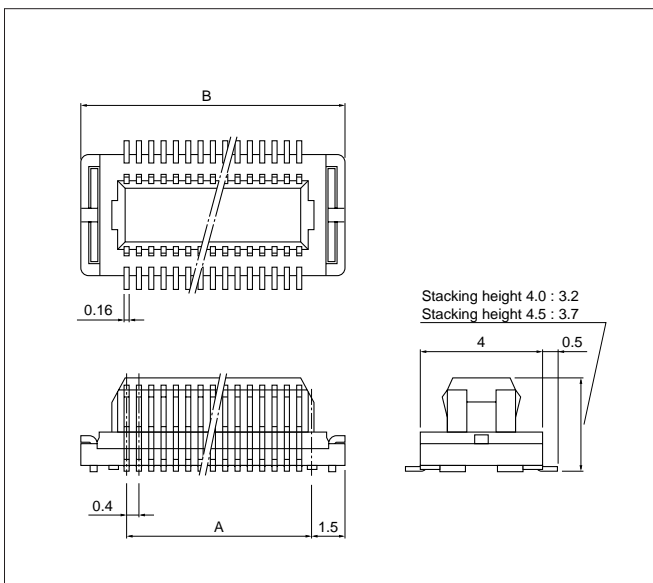
Housing: PPS, UL94V-0

Solder tab: Brass, copper-undercoated, tin-plated (reflow treatment)

**RoHS compliance** This product displays (LF)(SN) on a label.

Note: The products listed above are supplied on embossed-tape.

## Receptacle



| Circuits | Model No.                |                               | Dimensions (mm) |      | Q'ty/<br>reel |
|----------|--------------------------|-------------------------------|-----------------|------|---------------|
|          | Stacking height          |                               | A               | B    |               |
|          | 4.0 mm                   | 4.5 mm                        |                 |      |               |
| 80       | <b>80R-JASKS-GWAN-TF</b> | —                             | 15.6            | 18.6 | 2,500         |
| 120      | —                        | <b>120R4.5-JASKS-GWAN-TF2</b> | 23.6            | 26.6 | 1,500         |

### Material and Finish

Contact: Phosphor bronze, nickel-undercoated, gold-plated (nickel-stripe)

Housing: LCP, UL94V-0

Solder tab: Brass, copper-undercoated, tin-plated (reflow treatment)

**RoHS compliance** This product displays (LF)(SN) on a label.

Note: The products listed above are supplied on embossed-tape.