



D SUBMINIATURE JH SERIES

Right angle through-hole plug and socket

RIGHT ANGLE THROUGH-HOLE PLUG AND SOCKET



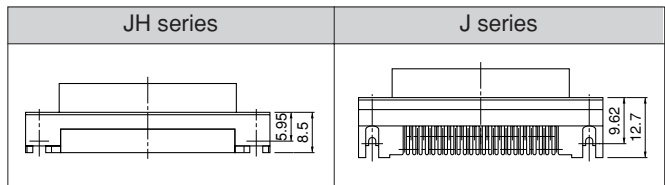
Right angle through-hole plug (with hexagonal lock screw blocks)



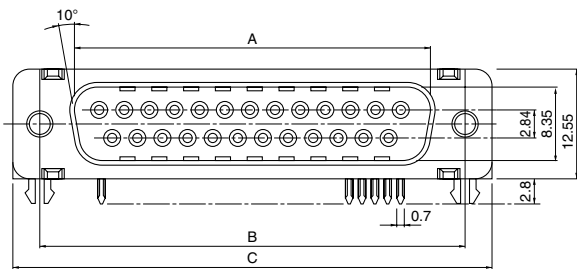
Right angle through-hole socket (without lock screw blocks, but with grounding adapters having a No.4-40UNC inch thread)

Features

- The depth is trimmed to 8.5mm, reducing the surface mounting area by 33% compared with our J series subminiature connectors.
- The weight of the JH series is 10% lighter than our J series.
- EJH series D subminiature connectors with noise filters are available.



Right angle through-hole plug



9-circuits : 5.95
25-circuits : 5.84

9-circuits : 14.35
25-circuits : 14.34

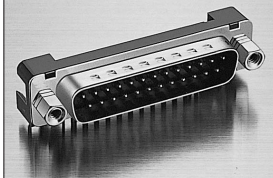
H: Height of the lock screw block (for Types A, B & J)

| Circuits | Model No. | | Dimensions (mm) | | | | | Q'ty / box |
|----------|--------------------------|------------------------|-----------------|-------|------|-----|-----|------------|
| | Gold-plated (flash) plug | Gold-plated 0.76micron | A | B | C | D | E | |
| 9 | JHEY-9P-1A** | JHEY-9P-1A**14 | 16.90 | 24.99 | 30.8 | 8.4 | 4.9 | 100 |
| 25 | JHBY-25P-1A** | JHBY-25P-1A**14 | 38.97 | 47.04 | 53.0 | 8.5 | 5.0 | 40 |

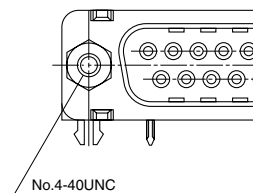
RoHS compliance This product displays (LF)(SN) on a label.

Note: ** shows the location where a two-digit code (see the table below for codes) should be entered. For example, if a gold-plated (flash) receptacle with hexagonal lock screw blocks having a No. 4-40UNC inch thread and with grounding adapters having a spring lock device is required, specify the model number as JHEY-9P-1A3A.

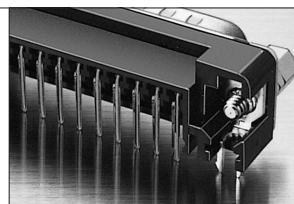
Type A



With hexagonal lock screw blocks (H: 6.3mm) having a No.4-40UNC inch thread



With grounding adapters with a spring lock device



3A

D SUBMINIATURE CONNECTOR JH SERIES

Specifications

Materials

| Part name | Material and Finish |
|---|--|
| Contact | Plug Brass, nickel-undercoated, Mating part; gold-plated Solder tail; tin-plated (reflow treatment) |
| | Socket Phosphor bronze, nickel-undercoated, Mating part; gold-plated Solder tail; tin-plated (reflow treatment) |
| Insulator | Glass-filled PBT, UL94V-0, black |
| Shell | Steel, copper-undercoated, nickel-plated |
| Hexagonal lock screw block | Steel, copper-undercoated, nickel-plated |
| Grounding adapter with spring lock device | Brass, nickel-undercoated, tin/copper alloy-plated |

Characteristics

| | |
|-------------------------------|--|
| Current rating | 3A AC, DC |
| Voltage rating | 250V AC, DC |
| Temperature range | -40°C to +85°C (including temperature rise in applying electrical current) |
| Contact resistance | Initial value/15mΩ max. After environmental testing/30mΩ max. |
| Insulation resistance | 5,000MΩ min. |
| Withstanding voltage | 1,000V AC/minute |
| Applicable PC board thickness | 1.6mm |

Note: Contact JST for details.

Model number identification

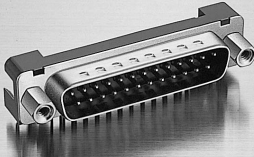
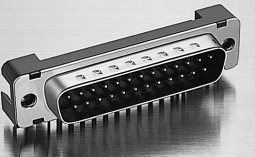
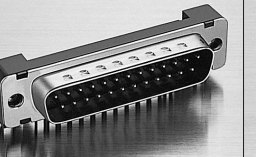
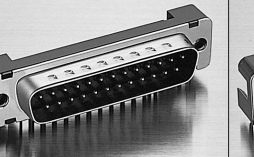
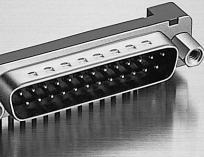
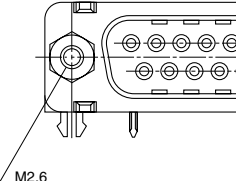
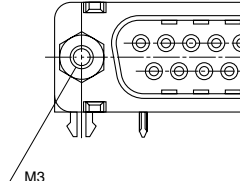
| | JH | B | Y | - | 25 | P | - | 1A | 3 | F | 14 |
|--|----|---|---|---|----|---|---|----|---|---|----|
| • Series name | JH | | | | | | | | | | |
| • Shell size: E, B | | B | | | | | | | | | |
| • Wire connection type: Y ... Right angle through-hole type | | | Y | | | | | | | | |
| • Number of circuits: 9, 25 | | | | | 25 | | | | | | |
| • Connector type: P ... Plug, S ... Socket | | | | | | P | | | | | |
| • Connector construction/dimensions: Standard of the JH series right angle through-hole type | | | | | | | | | | | |
| • Types of grounding adapter: 3 ... With grounding adapters having a spring lock device | | | | | | | | | | | |
| • Type of lock screw block: A ... With hexagonal lock screw blocks having a No. 4-40UNC inch thread B ... With hexagonal lock screw blocks having an M2.6 thread F ... Without lock screw blocks, but with grounding adapters having a No.4-40UNC inch thread G ... Without lock screw blocks, but with grounding adapters having an M2.6 thread H ... Without lock screw blocks, but with grounding adapters having an M3 thread J ... With hexagonal lock screw blocks having an M3 thread | | | | | | | | | | | |
| • Finish of mating part Blank ... Gold-plated (flash) 12 ... 0.2micron gold-plated 13 ... 0.4micron gold-plated 14 ... 0.76micron gold-plated | | | | | | | | | | | |

Note: Contact JST for special plating requirements.

Standards

Recognized E60389 Certified LR20812

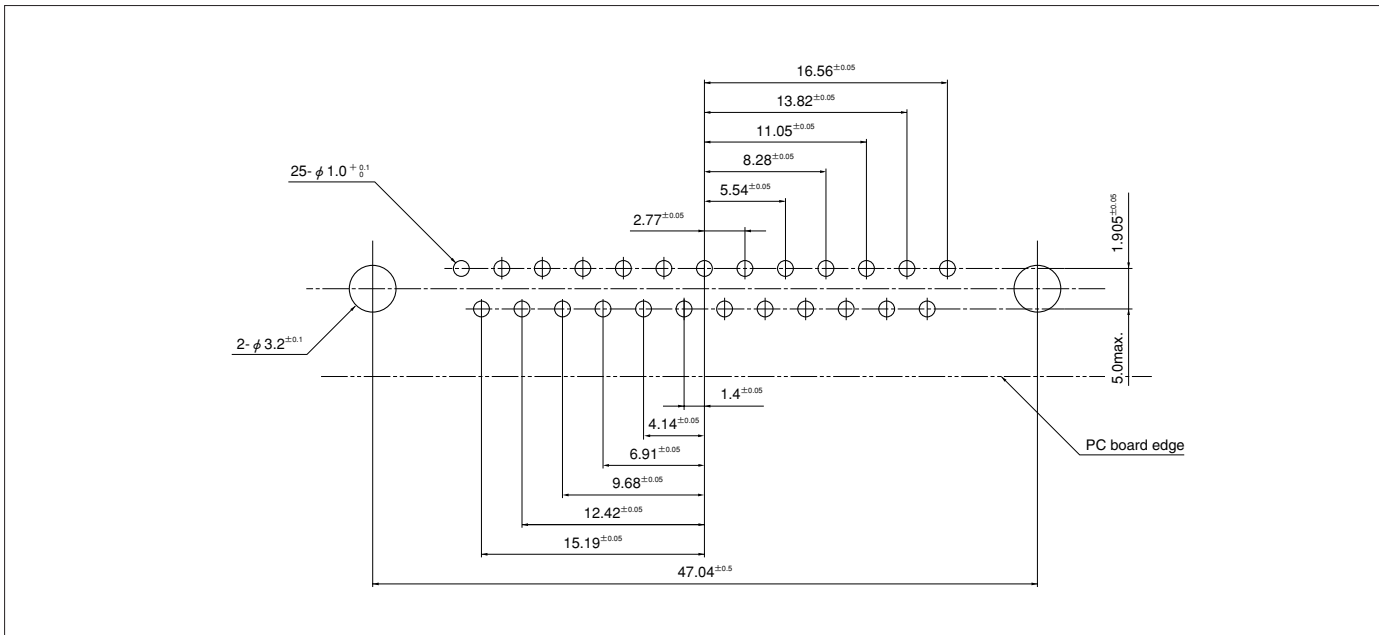
- * Compliant with RoHS.
- * Refer to "General Instruction and Notice when using Terminals and Connectors" at the end of this catalog.
- * Contact JST for details.

| Type B | Type F | Type G | Type H | Type J |
|---|--|---|---|---|
|  |  |  |  |  |
| With hexagonal lock screw blocks (H: 6.3mm) having an M2.6 thread | Without lock screw blocks F, G, H: Grounding adapters have a thread (*1) for securing separately-purchased lock screw blocks (*2) | | With hexagonal lock screw blocks (H: 6.3mm) having an M3 thread | |
|  | *1: No.4-40UNC inch thread *2: Model number HFS-4S-()1W(M) | *1: M2.6 thread *2: Model number HFS-2.6S-()1W(M) | *1: M3 thread *2: Model number HFS-3S-()1W(M) |  |
| 3B | 3F | 3G | 3H | 3J |

D SUBMINIATURE CONNECTOR JH SERIES






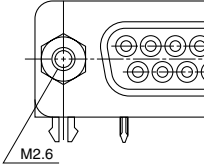
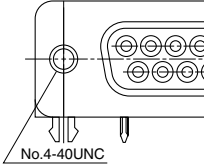
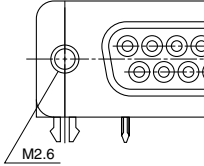
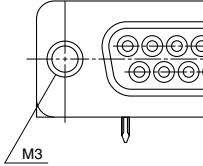
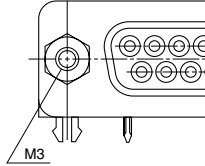
| Right angle through-hole socket | | Type A | | | | | | | | | | | | | | | | | | | | | | | | | | | | | | | | | | |
|---|----------------------------|--|----------|-----------------|------|-----------------|-----|-----|------------|--|------------|----------------------------|---------------------------------|---|---|---|---|---|---|---------------------|-----------------------|-------|-------|------|-----|-----|-----|----|----------------------|------------------------|-------|-------|------|-----|-----|----|
| | | <p>With hexagonal lock screw blocks (H: 6.3mm) having a No.4-40UNC inch thread</p> | | | | | | | | | | | | | | | | | | | | | | | | | | | | | | | | | | |
| <p>H: Height of the lock screw block (for Types A, B & J)</p> <table border="1"> <thead> <tr> <th rowspan="2">Circuits</th> <th colspan="2">Model No.</th> <th colspan="5">Dimensions (mm)</th> <th rowspan="2">Q'ty / box</th> </tr> <tr> <th>Gold-plated (flash) socket</th> <th>Gold-plated [0.76micron] socket</th> <th>A</th> <th>B</th> <th>C</th> <th>D</th> <th>E</th> </tr> </thead> <tbody> <tr> <td>9</td> <td>JHEY-9S-1A**</td> <td>JHEY-9S-1A**14</td> <td>16.34</td> <td>24.99</td> <td>30.8</td> <td>8.4</td> <td>4.9</td> <td>100</td> </tr> <tr> <td>25</td> <td>JHBY-25S-1A**</td> <td>JHBY-25S-1A**14</td> <td>38.38</td> <td>47.04</td> <td>53.0</td> <td>8.5</td> <td>5.0</td> <td>40</td> </tr> </tbody> </table> <p>RoHS compliance This product displays (LF)(SN) on a label. Note: ** shows the location where a two-digit code (see the table below for codes) should be entered. For example, if a 9-circuit gold-plated (flash) socket with hexagonal lock screw blocks having a No. 4-40UNC inch thread and with grounding adapters having a spring lock device is required, specify the model number as JHEY-9S-1A3A.</p> | | | Circuits | Model No. | | Dimensions (mm) | | | | | Q'ty / box | Gold-plated (flash) socket | Gold-plated [0.76micron] socket | A | B | C | D | E | 9 | JHEY-9S-1A** | JHEY-9S-1A**14 | 16.34 | 24.99 | 30.8 | 8.4 | 4.9 | 100 | 25 | JHBY-25S-1A** | JHBY-25S-1A**14 | 38.38 | 47.04 | 53.0 | 8.5 | 5.0 | 40 |
| Circuits | Model No. | | | Dimensions (mm) | | | | | Q'ty / box | | | | | | | | | | | | | | | | | | | | | | | | | | | |
| | Gold-plated (flash) socket | Gold-plated [0.76micron] socket | A | B | C | D | E | | | | | | | | | | | | | | | | | | | | | | | | | | | | | |
| 9 | JHEY-9S-1A** | JHEY-9S-1A**14 | 16.34 | 24.99 | 30.8 | 8.4 | 4.9 | 100 | | | | | | | | | | | | | | | | | | | | | | | | | | | | |
| 25 | JHBY-25S-1A** | JHBY-25S-1A**14 | 38.38 | 47.04 | 53.0 | 8.5 | 5.0 | 40 | | | | | | | | | | | | | | | | | | | | | | | | | | | | |
| <p>With grounding adapters with a spring lock device</p> | | <p>3A</p> | | | | | | | | | | | | | | | | | | | | | | | | | | | | | | | | | | |

PC board layout (viewed from component side)

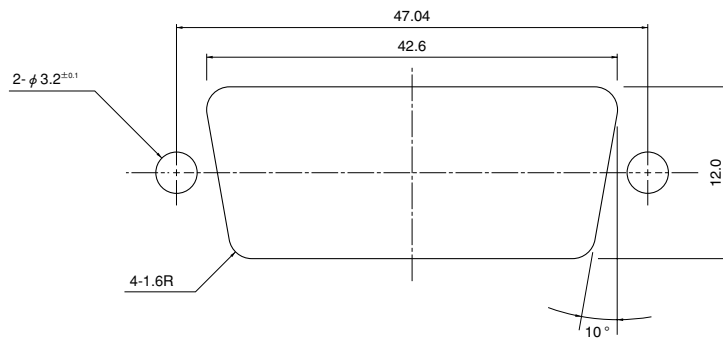


Note: 1. Tolerances are non-cumulative: ±0.05mm for all centers.
 2. Hole dimensions differ according to the kind of PC board and piercing method.
 The dimensions above should serve as a guideline. Contact JST for details.

D SUBMINIATURE CONNECTOR JH SERIES

| Type B | Type F | Type G | Type H | Type J |
|---|---|--|--|---|
|  |  |  |  |  |
| With hexagonal lock screw blocks (H: 6.3mm) having an M2.6 thread | Without lock screw blocks F, G, H: Grounding adapters have a thread (*1) for securing separately-purchased lock screw blocks (*2) | | | With hexagonal lock screw blocks (H: 6.3mm) having an M3 thread |
|  | *1: No.4-40UNC inch thread *2: Model number HFS-4S-()1W(M)  | *1: M2.6 thread *2: Model number HFS-2.6S-()1W(M)  | *1: M3 thread *2: Model number HFS-3S-()1W(M)  |  |
| 3B | 3F | 3G | 3H | 3J |

Panel layout



Note: The dimensions above should serve as a guideline. Contact JST for details.




D SUBMINIATURE CONNECTOR J·JH·JK & KH SERIES

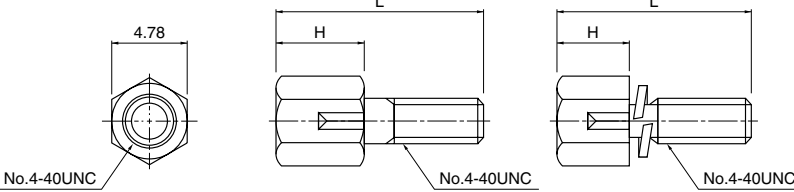
Accessories/Lock screw block

A variety of accessories are available for the D subminiature connectors.

LOCK SCREW BLOCK




**Hexagonal lock screw block
(inch thread: No.4-40UNC)**



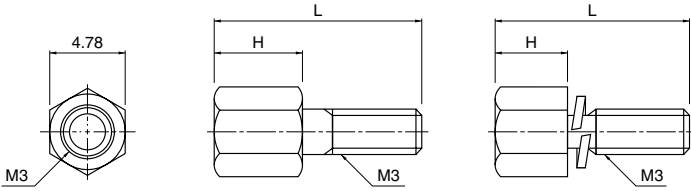
Type A
Type B

| Applicable series | J series right angle through-hole type JK series straight through-hole type | JK series right angle through-hole type | J series straight through-hole type | JH series right angle through-hole type KH series right angle through-hole type | Dimension H (mm) | Type | Attachment | Q'ty / box |
|-------------------|--|---|-------------------------------------|--|------------------|------|---|------------|
| Dimension L (mm) | 13.1 | 15.0 | 10.0 | 11.8 | | | | |
| Model No. | JFS-4S-C1N | KFS-4S-C1N | — | — | 5.5 | A | Spring washer .. 1 pc. Nut 1 pc. | 2,000 |
| | JFS-4S-B1W | KFS-4S-B1W | SFS-4S-B1W | HFS-4S-B1W | 4.8 | | Spring washer .. 1 pc. | |
| | JFS-4S-C1W | KFS-4S-C1W | SFS-4S-C1W | — | 5.5 | B | Hexagonal lock screw & spring washer are integrated | |
| | JFS-4S-B1WM | KFS-4S-B1WM | SFS-4S-B1WM | HFS-4S-B1WM | 4.8 | | | |
| | JFS-4S-C1WM | KFS-4S-C1WM | SFS-4S-C1WM | HFS-4S-C1WM | 5.5 | | | |

RoHS compliance



**Hexagonal lock screw block
(metric thread: M3)**

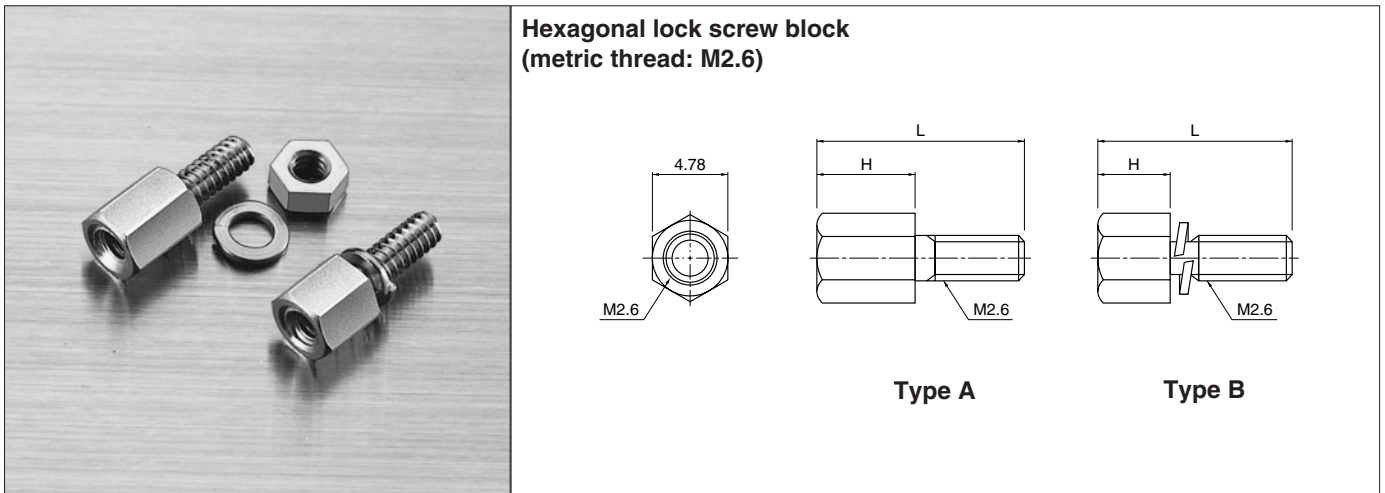


Type A
Type B

| Applicable series | J series right angle through-hole type JK series straight through-hole type | JK series right angle through-hole type | J series straight through-hole type | JH series right angle through-hole type KH series right angle through-hole type | Dimension H (mm) | Type | Attachment | Q'ty / box |
|-------------------|--|---|-------------------------------------|--|------------------|------|---|------------|
| Dimension L (mm) | 13.1 | 15.0 | 10.0 | 11.8 | | | | |
| Model No. | JFS-3S-C1N | KFS-3S-C1N | — | — | 5.5 | A | Spring washer .. 1 pc. Nut 1 pc. | 2,000 |
| | JFS-3S-B1W | — | SFS-3S-B1W | — | 4.8 | | Spring washer .. 1 pc. | |
| | — | KFS-3S-C1W | SFS-3S-C1W | HFS-3S-C1W | 5.5 | B | Hexagonal lock screw & spring washer are integrated | |
| | — | — | SFS-3S-B1WM | HFS-3S-B1WM | 4.8 | | | |
| | JFS-3S-C1WM | KFS-3S-C1WM | SFS-3S-C1WM | HFS-3S-C1WM | 5.5 | | | |

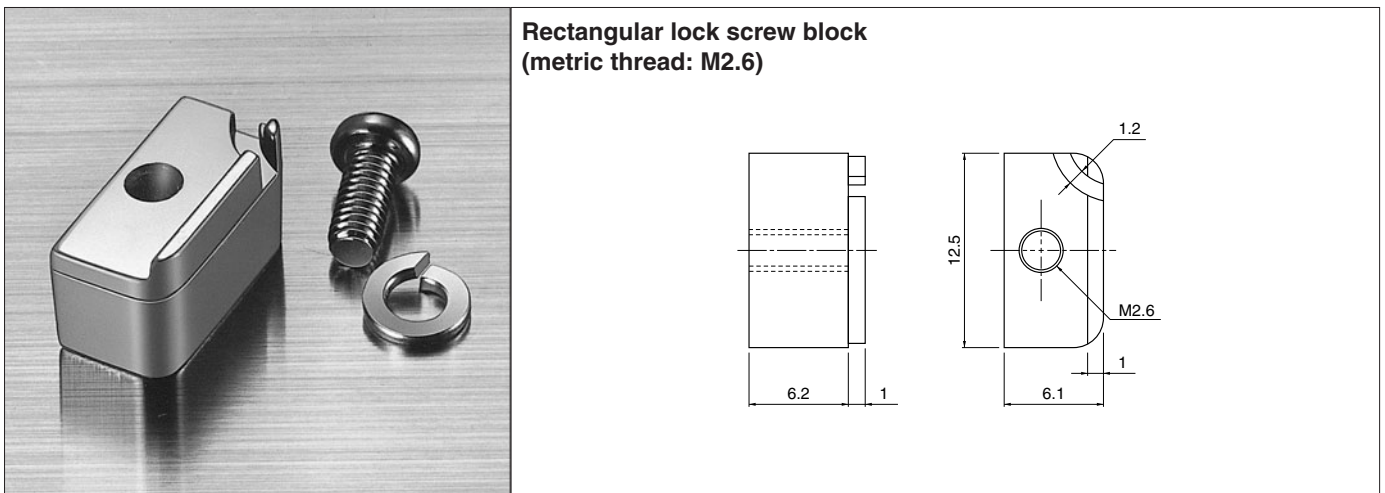
RoHS compliance

D SUBMINIATURE CONNECTOR J·JH·JK & KH SERIES



| Applicable series | J series right angle through-hole type JK series straight through-hole type | JK series right angle through-hole type | J series straight through-hole type | JH series right angle through-hole type KH series right angle through-hole type | Dimension H (mm) | Type | Attachment | Q'ty / box |
|-------------------|--|---|-------------------------------------|--|------------------|------|---|------------|
| Dimension L (mm) | 13.1 | 15.0 | 10.0 | 11.8 | | | | |
| Model No. | JFS-2.6S-C1N | KFS-2.6S-C1N | — | — | 5.5 | A | Spring washer .. 1 pc. Nut 1 pc. | 2,000 |
| | JFS-2.6S-B1W | KFS-2.6S-B1W | SFS-2.6S-B1W | HFS-2.6S-B1W | 4.8 | | Spring washer .. 1 pc. | |
| | — | KFS-2.6S-C1W | SFS-2.6S-C1W | HFS-2.6S-C1W | 5.5 | | | |
| | JFS-2.6S-B1WM | KFS-2.6S-B1WM | SFS-2.6S-B1WM | HFS-2.6S-B1WM | 4.8 | B | Hexagonal lock screw & spring washer are integrated | |
| | JFS-2.6S-C1WM | KFS-2.6S-C1WM | SFS-2.6S-C1WM | HFS-2.6S-C1WM | 5.5 | | | |

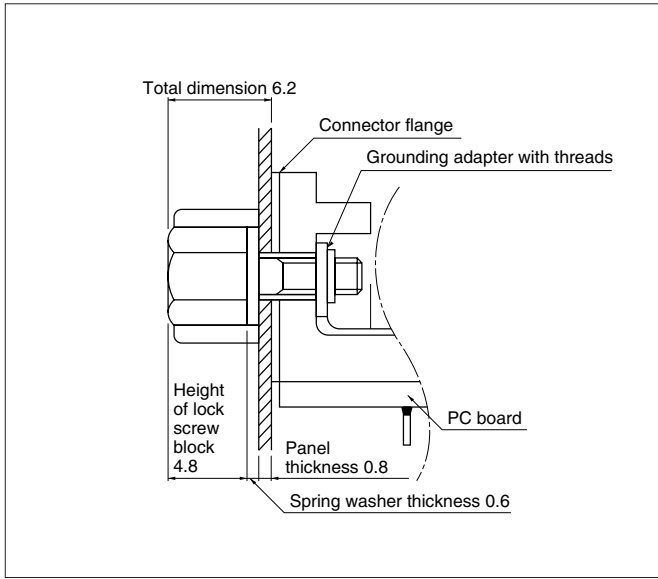
RoHS compliance



| Model No. | Attachment | Q'ty / box |
|------------|--|------------|
| JFS-2.6R-N | Spring washer – 1 pc. Set screw – 1 pc. | 1,000 |

RoHS compliance

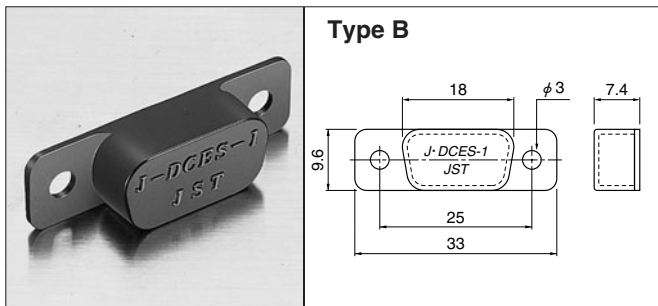
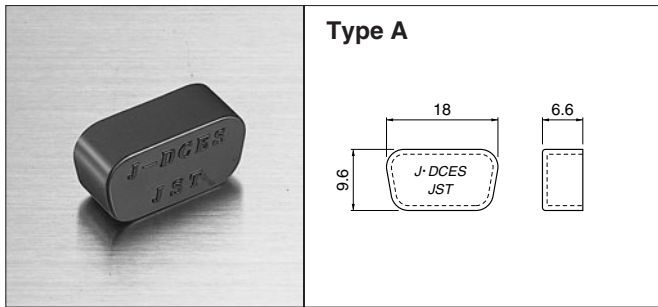
D SUBMINIATURE CONNECTOR J·JH·JK&KH SERIES



Application examples of hexagonal lock screw blocks

- The resulting total dimension from the connector flange to the top of the hexagonal lock screw block must be 6.2mm after assembly.
- The D subminiature connector can be installed on the Panel by simply tightening the hexagonal lock screw block together with grounding adapter, which has an identical thread to that of the F, G, and H types.

DUST COVER (for receptacles)



| Type | Circuits | | Model No. | Q'ty / box |
|--------------------|----------|-----------|-----------------|------------|
| | J series | JK series | | |
| A | 9 | 15 | J-DCES | 1,000 |
| B | | | J-DCES-1 | |
| Material | | | | |
| PA, UL94V-0, black | | | | |

RoHS compliance

EXTRACTION TOOL



With this tool, contacts (connected to wires by crimping) can be easily removed if they are improperly inserted into plug and receptacle housings.

| Applicable Connector | | Model No. |
|----------------------|------------|----------------|
| J series | | DEJ-0.3 |
| JK series | Plug | KEJ-0.7 |
| | Receptacle | KEJ-0.4 |