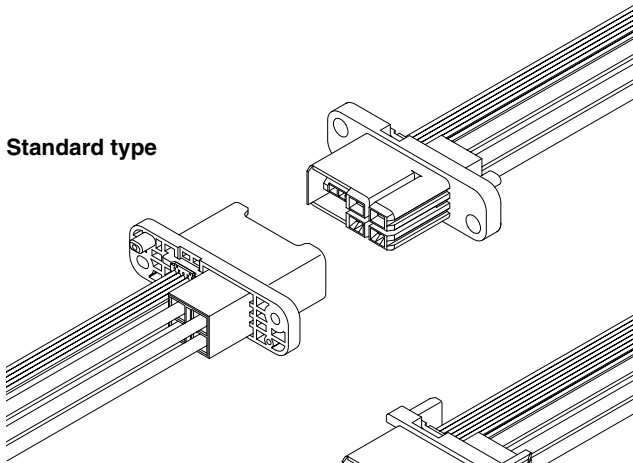




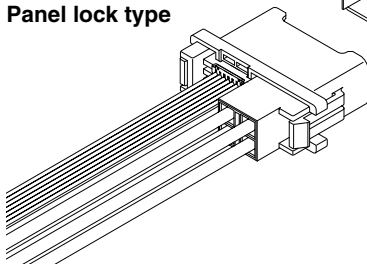
# RWZ CONNECTOR

**Disconnectable Crimp style Wire-to-wire connectors**

Standard type



Panel lock type



**In unit connection, this RWZ connector is a hybrid type double row drawer connector with combined signal and power supply circuits, absorbs misalignment between units, and excels durability.**

- High durability
- Absorbed misalignment mechanism
- Space saving
- Hybrid type

## Specifications

- Current rating: Signal circuit 1.0 A AC, DC (AWG #26)  
Power supply circuit 15 A AC, DC (AWG #14)
  - Voltage rating: Signal circuit 50 V AC, DC  
Power supply circuit 250 V AC, DC
  - Temperature range: -25°C to +85°C  
(including temperature rise in applying electrical current)
  - Contact resistance:
 

Signal circuit	Initial value/ 40 mΩ max.
	After environmental tests/ 60 mΩ max.
Power supply circuit	Initial value/ 10mΩ max.
	After environmental tests/ 20 mΩ max.
  - Insulation resistance: 500 MΩ min.
  - Withstanding voltage: Signal circuit 500 VAC  
Power supply circuit 1,500 VAC
  - Applicable wire: Power supply circuit Conductor AWG #24 to #14  
Insulation O.D. 1.4 to 3.6 mm  
Signal circuit Applicable receptacle CZ, CZH
  - Mounting method: Screw, panel lock
- \* Refer to "General Instruction and Notice when using Terminals and Connectors" at the end of this catalog.  
\* Contact JST for details.  
\* Compliant with RoHS.

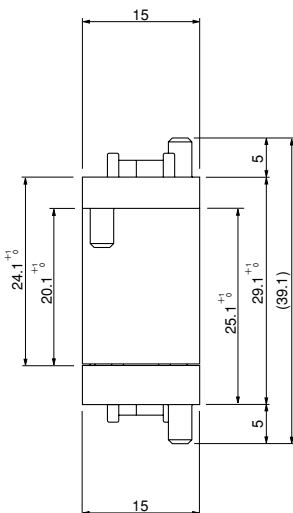
## Standards

Recognized E60389

Certified LR20812

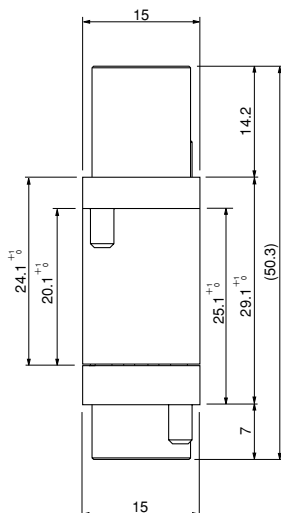
Standard type

Signal type



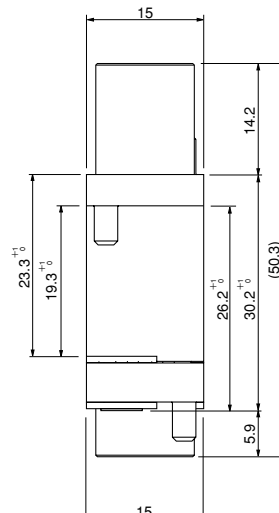
Standard type

Hybrid type



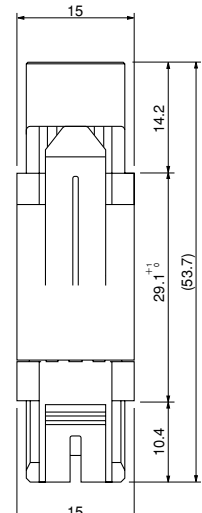
Floating bushing type

Hybrid type



Panel lock type

Hybrid type

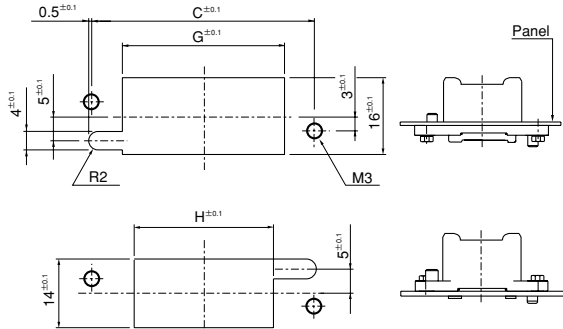


## Panel layout

### Plug

#### Standard type

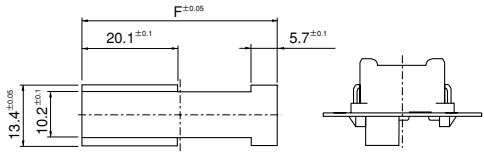
Panel thickness: 0.8 to 2.0mm



### Plug

#### Panel lock type

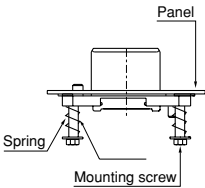
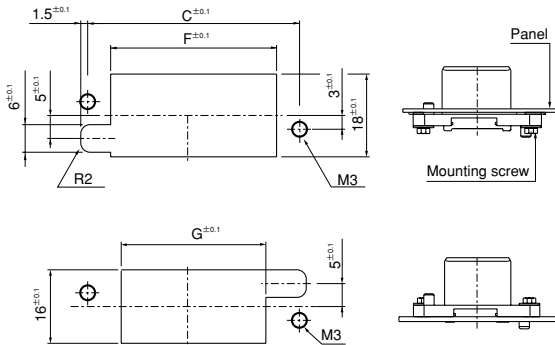
Panel thickness: 2.0mm



### Receptacle

#### Standard type

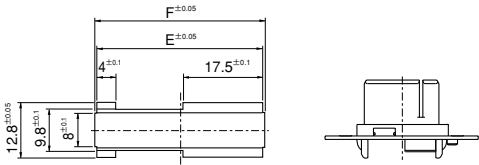
Panel thickness: 0.8 to 2.0mm



### Receptacle

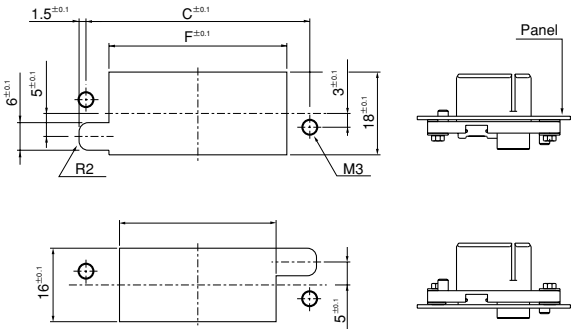
#### Panel lock type

Panel thickness: 1.2mm, 1.6mm, 2.0mm



#### Floating bushing type

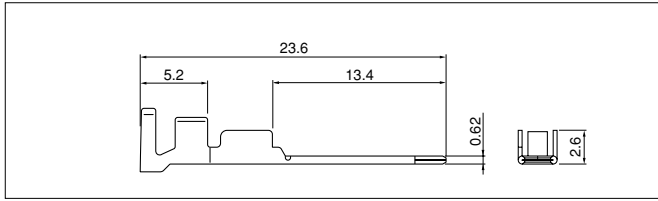
Panel thickness: 0.8 to 2.0mm



Note: 1. Punch holes in the panel according to the figures shown above. Burrs must be removed.  
 2. The strength of the panel must be considered when punching two or more holes.  
 3. The connector must be inserted from the same side as the hole is punched.

# RWZ CONNECTOR

## Plug contact for power supply circuit



Model No.	Applicable wire		Insulation O.D. (mm)	Q'ty / reel
	mm <sup>2</sup>	AWG #		
SRWM-01GG-S0.6	0.2 ~0.5	24~20	1.4 ~1.9	4,000
SRWM-21GG-S0.6	0.3 ~0.75	22~18	1.55~3.1	3,000
SRWM-61GG-S0.6	0.75~2.0	18~14	2.0 ~3.6	3,000

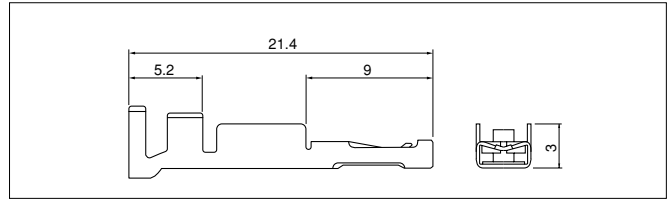
### Material and Finish

Copper alloy, nickel-undercoated, Mating part; gold-plated  
Crimping part; tin-plated (reflow treatment)

**RoHS compliance** This product displays (LF)(SN) on a label.

Contact	Crimping machine	Applicator		
		Crimp applicator	Dies	Crimp applicator with dies
SRWM-01GG-S0.6	AP-K2N	MKS-L	MK/SRPF/M-01-06	APLMK SRPF/M01-06
		—	—	—
SRWM-21GG-S0.6		MKS-L	MK/SRPF/M-21-06	APLMK SRPF/M21-06
		—	—	—
SRWM-61GG-S0.6		MKS-L	MK/SRPF/M-61-06	APLMK SRPF/M61-06
		—	—	—

## Receptacle contact for power supply circuit



Model No.	Applicable wire		Insulation O.D. (mm)	Q'ty / reel
	mm <sup>2</sup>	AWG #		
SRWF-01GG-M0.6	0.2 ~0.5	24~20	1.4 ~1.9	4,000
SRWF-21GG-M0.6	0.3 ~0.75	22~18	1.55~3.1	3,000
SRWF-61GG-M0.6	0.75~2.0	18~14	2.0 ~3.6	3,000

### Material and Finish

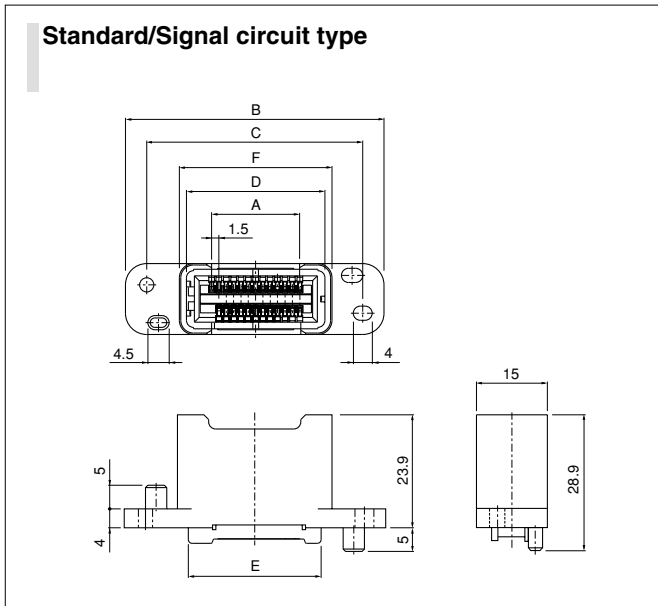
Copper alloy, nickel-undercoated, Mating part; gold-plated  
Crimping part; tin-plated (reflow treatment)

**RoHS compliance** This product displays (LF)(SN) on a label.

Contact	Crimping machine	Applicator		
		Crimp applicator	Dies	Crimp applicator with dies
SRWF-01GG-M0.6	AP-K2N	MKS-L	MK/SRPF/M-01-06	APLMK SRPF/M01-06
		—	—	—
SRWF-21GG-M0.6		MKS-L	MK/SRPF/M-21-06	APLMK SRPF/M21-06
		—	—	—
SRWF-61GG-M0.6		MKS-L	MK/SRPF/M-61-06	APLMK SRPF/M61-06
		—	—	—

## Plug

### Standard/Signal circuit type



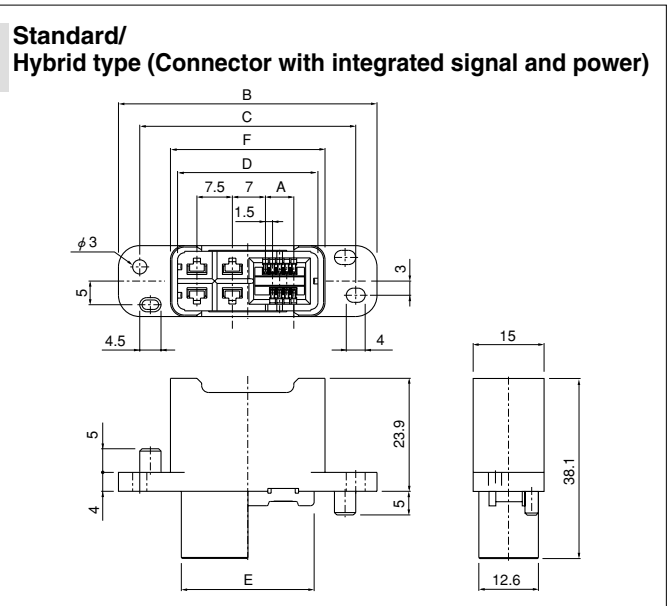
Circuits	Model No.	Dimensions (mm)								Q'ty / box
		A	B	C	D	E	F	G	H	
25	25P-RWZV-K4GG	18.0	53.2	44.2	28.2	26.6	31.2	32.2	27.6	240
31	31P-RWZV-K4GG	22.5	57.7	48.7	32.7	31.1	35.7	36.7	32.1	216
33	33P-RWZV-K4GG	24.0	59.2	50.2	34.2	32.6	37.2	38.2	33.6	192

### Material and Finish

Contact: Copper alloy, nickel-undercoated, selective gold-plated, tin-plated (reflow treatment)  
Housing: PBT, UL94V-0, black

**RoHS compliance** This product displays (LF)(SN) on a label.

### Standard/Hybrid type (Connector with integrated signal and power)



Circuits	Model No.	Dimensions (mm)								Q'ty / box	
		A	B	C	D	E	F	G	H		
2	39P-RWZV-K4GG-P2	28.5	69.7	60.7	44.7	43.1	47.7	48.7	44.1	168	
4	9	09P-RWZV-K4GG-P4	6.0	54.7	45.7	29.7	28.1	32.7	33.7	29.1	216
	13	13P-RWZV-K4GG-P4	9.0	57.7	48.7	32.7	31.1	35.7	36.7	32.1	216
6	21	21P-RWZV-K4GG-P4	15.0	63.7	54.7	38.7	37.1	41.7	42.7	38.1	192
	19	19P-RWZV-K4GG-P6	13.5	69.7	60.7	44.7	43.1	47.7	48.7	44.1	168
	23	23P-RWZV-K4GG-P6	16.5	72.7	63.7	47.7	46.1	50.7	51.7	47.1	144

### Material and Finish

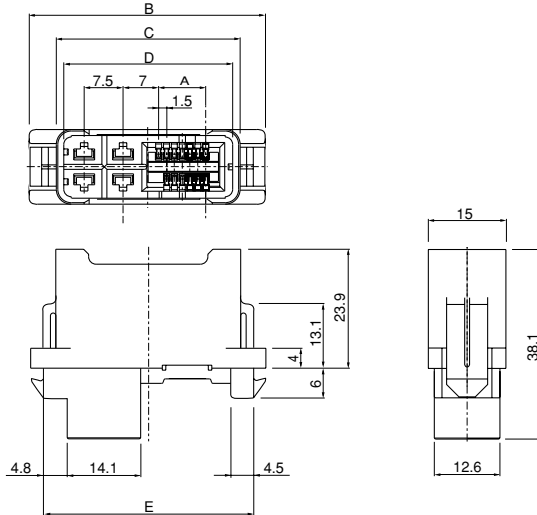
Signal contact: Copper alloy, nickel-undercoated, selective gold-plated, tin-plated (reflow treatment)  
Housing: PBT, UL94V-0, black

**RoHS compliance** This product displays (LF)(SN) on a label.

# RWZ CONNECTOR

## Plug

### Panel lock/ Hybrid type (Connector with integrated signal and power)



Circuits		Model No.	Dimensions (mm)						Q'ty / box
Power supply	Signal		A	B	C	D	E	F	
4	13	<b>13P-RWZV-K4GG-P4FL</b>	9.0	45.5	35.7	32.7	40.7	41.5	216

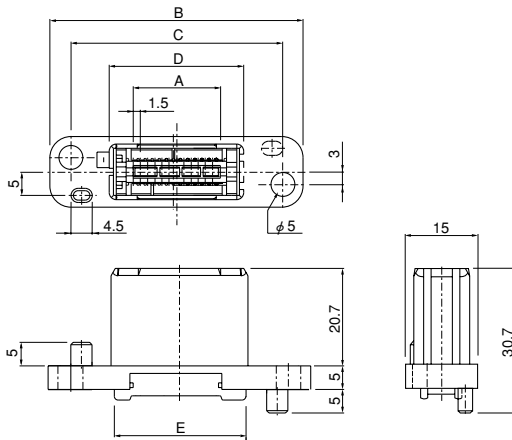
#### Material and Finish

Signal contact: Copper alloy, nickel-undercoated, selective gold-plated, tin-plated (reflow treatment)  
Housing: PBT, UL94V-0, black

**RoHS compliance** This product displays (LF)(SN) on a label.

## Receptacle

### Standard/Signal circuit type



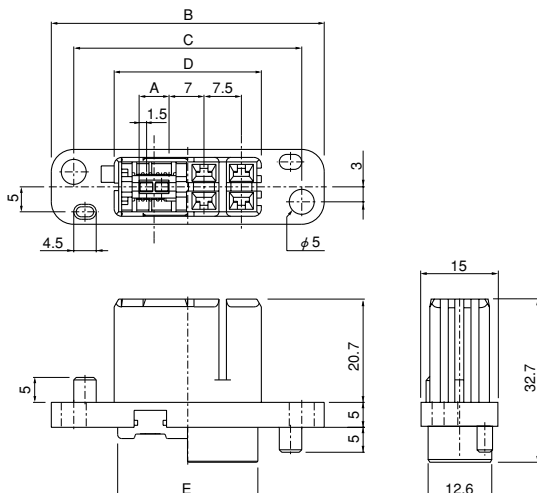
Circuits		Model No.	Dimensions (mm)							Q'ty / box
Power supply	Signal		A	B	C	D	E	F	G	
—	25	<b>25R-RWZV-K2GG</b>	18.0	53.2	44.2	28.0	26.6	34.2	29.6	240
—	31	<b>31R-RWZV-K2GG</b>	22.5	57.7	48.7	32.5	31.1	38.7	34.1	216
—	33	<b>33R-RWZV-K2GG</b>	24.0	59.2	50.2	34.0	32.6	40.2	35.6	240

#### Material and Finish

Contact: Copper alloy, nickel-undercoated, selective gold-plated, tin-plated (reflow treatment)  
Housing: PBT, UL94V-0, black

**RoHS compliance** This product displays (LF)(SN) on a label.

### Standard/ Hybrid type (Connector with integrated signal and power)



Circuits		Model No.	Dimensions (mm)							Q'ty / box
Power supply	Signal		A	B	C	D	E	F	G	
2	39	<b>39R-RWZV-K2GG-P2</b>	28.5	69.7	60.7	44.5	43.1	50.7	46.1	168
—	9	<b>09R-RWZV-K2GG-P4</b>	6.0	54.7	45.7	29.5	28.1	35.7	31.1	216
4	13	<b>13R-RWZV-K2GG-P4</b>	9.0	57.7	48.7	32.5	31.1	38.7	34.1	216
—	21	<b>21R-RWZV-K2GG-P4</b>	15.0	63.7	54.7	38.5	37.1	44.7	40.1	192
6	19	<b>19R-RWZV-K2GG-P6</b>	13.5	69.7	60.7	44.5	43.1	50.7	46.1	168
—	23	<b>23R-RWZV-K2GG-P6</b>	16.5	72.7	63.7	47.5	46.1	53.7	49.1	144

#### Material and Finish

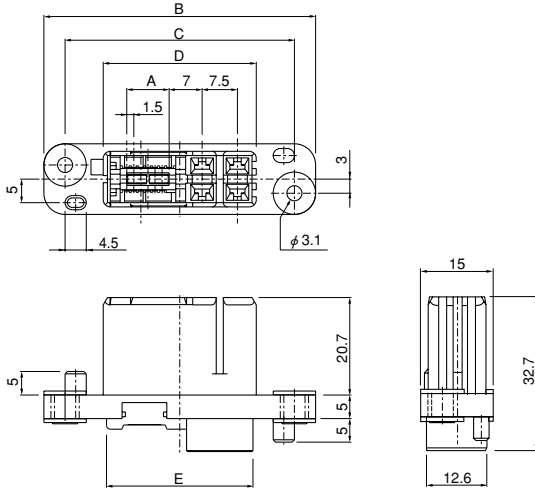
Signal contact: Copper alloy, nickel-undercoated, selective gold-plated, tin-plated (reflow treatment)  
Housing: PBT, UL94V-0, black

**RoHS compliance** This product displays (LF)(SN) on a label.

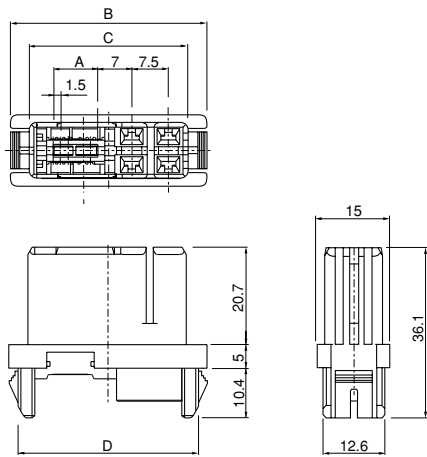
# RWZ CONNECTOR

## Receptacle

### Floating bushing/ Hybrid type (Connector with integrated signal and power)



### Panel lock/ Hybrid type (Connector with integrated signal and power)



Circuits		Model No.	Dimensions (mm)							Q'ty / box
Power supply	Signal		A	B	C	D	E	F	G	
2	39	39R-RWZV-K2GG-P2BM	28.5	69.7	60.7	44.5	43.1	50.7	46.1	168
4	9	09R-RWZV-K2GG-P4BM	6.0	54.7	45.7	29.7	28.1	35.7	31.1	216
	21	21R-RWZV-K2GG-P4BM	15.0	63.7	54.7	38.5	37.1	44.7	40.1	192

#### Material and Finish

Signal contact: Copper alloy, nickel-undercoated, selective gold-plated, tin-plated (reflow treatment)  
Housing: PBT, UL94V-0, black  
Washer: Copper alloy, nickel-plated  
Floating rivet: Copper alloy, nickel-plated

**RoHS compliance** This product displays (LF)(SN) B on a label.

Circuits		Model No.	Dimensions (mm)							Q'ty / box	
Power supply	Signal		A	B	C	D	E	F			
								t=1.2	t=1.6,2.0		
4	13	13R-RWZV-K2GG-P4RL	9.0	40.3	32.5	36.5	36.7	37.2	37.5	264	

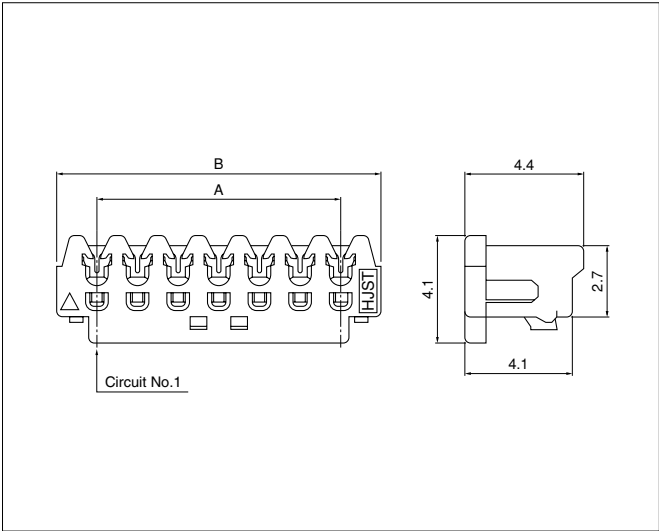
#### Material and Finish

Signal contact: Copper alloy, nickel-undercoated, selective gold-plated, tin-plated (reflow treatment)  
Housing: PBT, UL94V-0, black

**RoHS compliance** This product displays (LF)(SN) on a label.

# RWZ CONNECTOR

## CZ connector socket



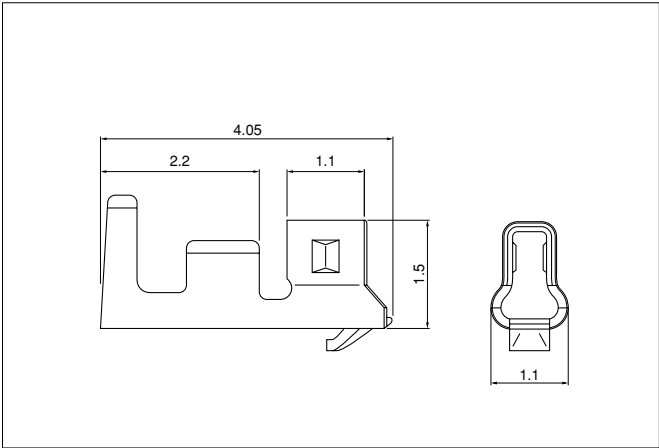
Circuits	Model No.		Dimensions (mm)		Q'ty / box
	Gray	Yellow	A	B	
4	04CZ-6H	04CZ-6Y	4.5	7.5	2,000
5	05CZ-6H	05CZ-6Y	6.0	9.0	2,000
6	06CZ-6H	06CZ-6Y	7.5	10.5	2,000
7	07CZ-6H	07CZ-6Y	9.0	12.0	2,000
9	09CZ-6H	09CZ-6Y	12.0	15.0	1,000
10	10CZ-6H	10CZ-6Y	13.5	16.5	1,000
11	11CZ-6H	11CZ-6Y	15.0	18.0	1,000
12	12CZ-6H	12CZ-6Y	16.5	19.5	1,000
13	13CZ-6H	13CZ-6Y	18.0	21.0	1,000
15	15CZ-6H	15CZ-6Y	21.0	24.0	1,000
16	16CZ-6H	16CZ-6Y	22.5	25.5	1,000
17	17CZ-6H	17CZ-6Y	24.0	27.0	1,000
19	19CZ-6H	19CZ-6Y	27.0	30.0	1,000
20	20CZ-6H	20CZ-6Y	28.5	31.5	1,000

### Material and Finish

Contact: Copper alloy, tin-plated (reflow treatment)  
Housing: Glass-filled PA 66, UL94V-0

### RoHS compliance

## CZH connector contact



Model No.	Applicable wire		Insulation O.D. (mm)	Q'ty / reel
	mm <sup>2</sup>	AWG #		
SCZH-002T-P0.5	0.08~0.13	28~26	0.8~1.1	13,000

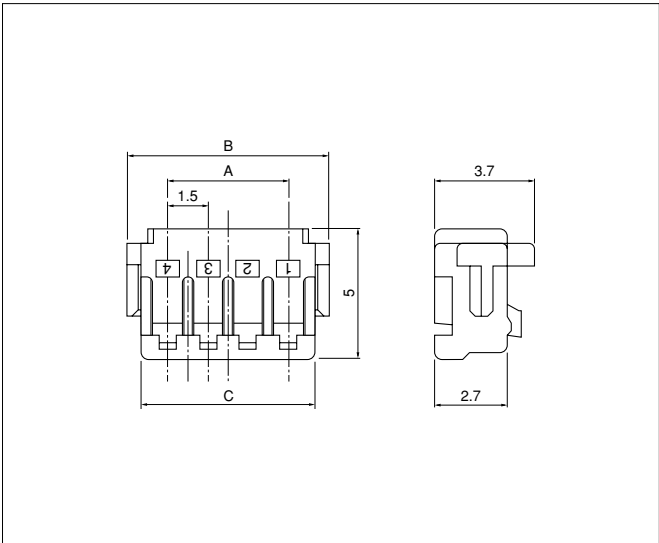
### Material and Finish

Copper alloy, tin-plated (reflow treatment)

### RoHS compliance

Contact	Crimping machine	Applicator		
		Crimp applicator	Dies	Crimp applicator with dies
SCZH-002T-P0.5	AP-K2N	MKS-L	MK/SCZH-002-05	APLMK SCZH002-05
		—	—	—

## CZH connector housing



Circuits	Model No.	Dimensions (mm)			Q'ty / box
		A	B	C	
4	CZHR-04V-S	4.5	7.5	6.5	1,000
5	CZHR-05V-S	6.0	9.0	8.0	1,000
6	CZHR-06V-S	7.5	10.5	9.5	1,000
7	CZHR-07V-S	9.0	12.0	11.0	1,000
9	CZHR-09V-S	12.0	15.0	14.0	1,000
10	CZHR-10V-S	13.5	16.5	15.5	1,000
11	CZHR-11V-S	15.0	18.0	17.0	1,000
12	CZHR-12V-S	16.5	19.5	18.5	1,000
13	CZHR-13V-S	18.0	21.0	20.0	1,000
15	CZHR-15V-S	21.0	24.0	23.0	1,000
16	CZHR-16V-S	22.5	25.5	24.5	1,000
17	CZHR-17V-S	24.0	27.0	26.0	1,000
19	CZHR-19V-S	27.0	30.0	29.0	1,000
20	CZHR-20V-S	28.5	31.5	30.5	1,000

### Material

PBT, UL94V-0, natural (white)

### RoHS compliance