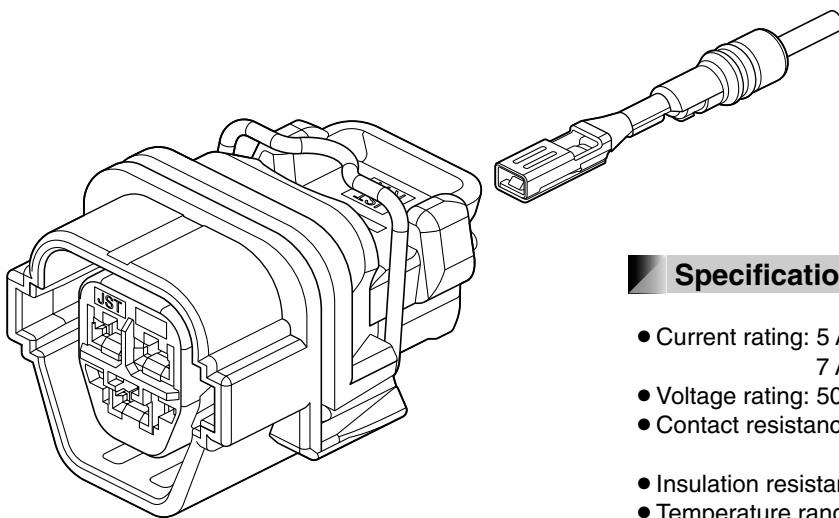




### Features

- **2.3(090) Terminal Sealed Connector**
- **Anti Vibration Mechanism**  
Special vibration durability structure with spring lock enables to keep higher durability at shock and vibrated environment. This connector can be used as an engine direct attachment connector.
- **Retainer (Secondary Lock)**  
Prevent the insufficient insertion of the terminal.
- **Compact Design**  
2X1 terminal sequence is realized miniaturization.

2.3(090) terminal sealed connector with high vibration durability.  
Reduce abrasion by the vibration, and high reliability is provided.

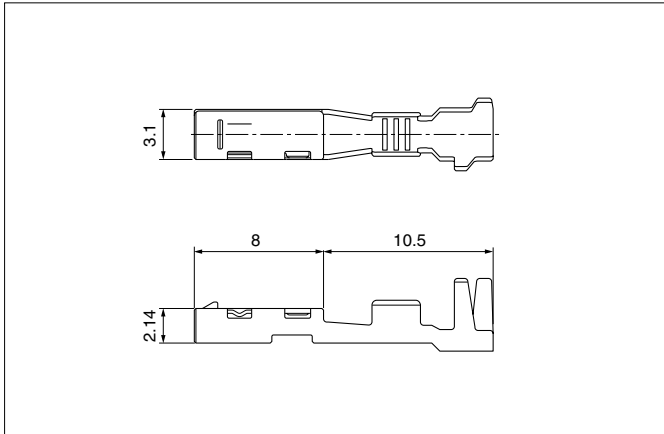


### Specifications

- Current rating: 5 A AC, DC (0.5 mm<sup>2</sup>)  
7 A AC, DC (0.75 mm<sup>2</sup>)
- Voltage rating: 50 V AC, DC
- Contact resistance: Initial value/ 3 mΩ max.  
After environmental tests/ 10 mΩ max.
- Insulation resistance: 100 MΩ min.
- Temperature range: -40°C to +100°C  
(including temperature rise in applying electrical current)
- Applicable wire: AVSSH 0.3f to 0.75f  
(Contact JST for other applicable wires)

\* Compliant with ELV/RoHS.  
\* Contact JST for details.

## Female terminal



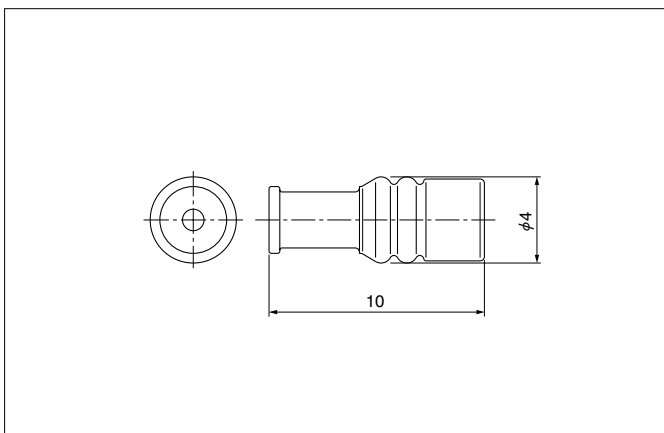
Size	Model No.	Applicable wire range		Q'ty/reel
		Conductor (mm <sup>2</sup> )	Insulation O.D. (mm)	
S	<b>SNORS-A021T-M2.3</b>	0.3 to 0.5	1.4 to 1.7	4,500
M	<b>SNORS-A041T-M2.3</b>	0.75 to 1.25	1.8 to 2.2	4,500

### Material and Finish

Copper alloy, tin-plated (reflow treatment)

Note: This product displays (LF)(SN) on a label.

## Wire seal

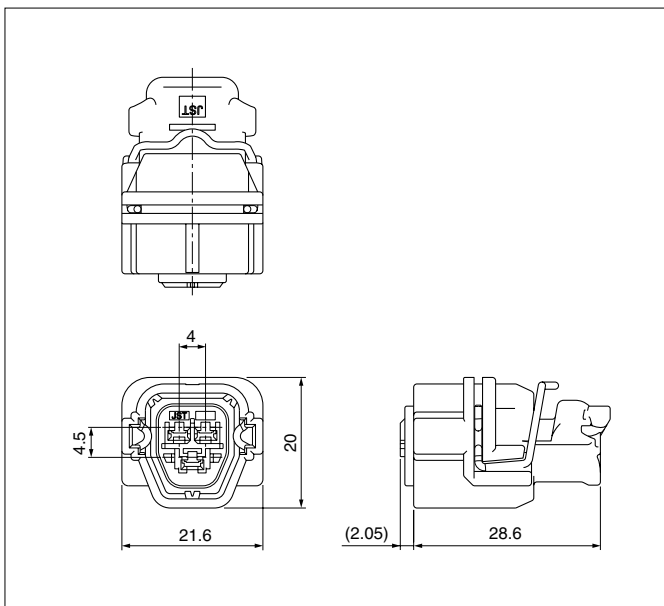


Size	Model No.	Applicable wire range		Q'ty/box
		Conductor (mm <sup>2</sup> )	Insulation O.D. (mm)	
S	<b>NORWS-NS</b>	0.3 to 0.75	1.4 to 1.9	2,000

### Material and Finish

Silicone, Brown

## Female connector



Circuits	Model No.	Q'ty/box
3	<b>03NFG-B-1A</b>	960

### Material and Finish

Housing: Glass-filled PBT, Black  
 Retainer: Glass-filled PBT, Natural (White)  
 Seal ring: Silicone, Brown  
 Spring lock: SUS, Silver

## Crimping machine, Applicator

Strip terminal	Crimping machine	Crimp applicator MKS-L	
		Dies	Crimp applicator with dies
<b>SNOR-A021T-M2.3</b>	AP-K2N	MK/SNORS-A021-23	APLMK SNORS-A021-23
<b>SNOR-A041T-M2.3</b>		MK/SNORS-A041-23	APLMK SNORS-A041-23

Note: When crimping operation is conducted using an applicator and die set other than the above, JST cannot guarantee the performance of the terminal.