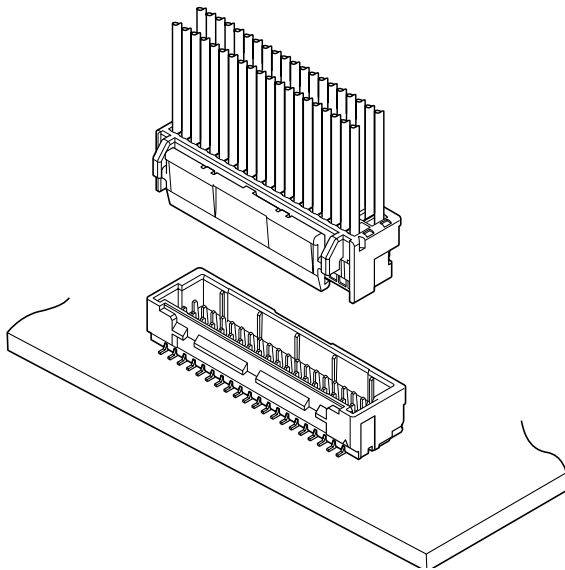


NSHD CONNECTOR



1.0mm pitch/Disconnectable Crimp style connectors



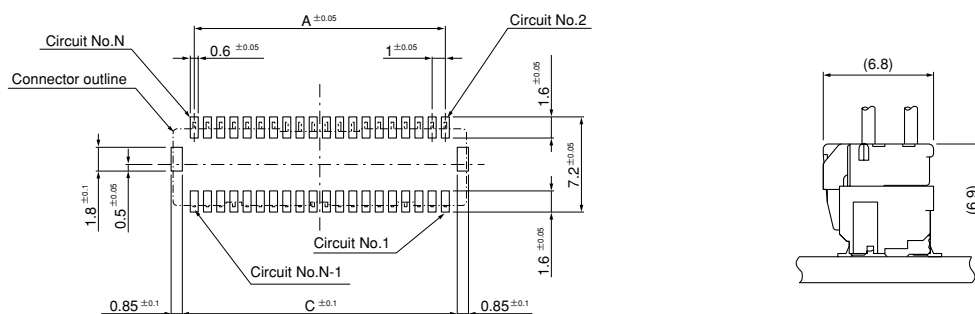
In 1.0mm pitch and dual-row secure lock type connector, this NSHD connector realizes a top grade of a space saving in the industry and supports a high densification of equipment.

- **Excellent mounting and dismounting workability of socket**
- **Adopting large lock in consideration of unlocking and withstanding external force**
- **Various lineups of circuits**
- **An existing crimping applicator is available.**

Specifications

- Current rating: 1.0 A AC, DC (AWG #28)
 - Voltage rating: 50 V AC, DC
 - Temperature range: -25°C to +85°C
(including temperature rise in applying electrical current)
 - Contact resistance: Initial value/ 20 mΩ max.
After environmental tests/ 40 mΩ max.
 - Insulation resistance: 100 MΩ min.
 - Withstanding voltage: 500 VAC/minute
 - Applicable wire: Conductor size/ AWG #32 to #28
Insulation O.D./ 0.4 to 0.8 mm
- * Refer to "General Instruction and Notice when using Terminals and Connectors" at the end of this catalog.
* Contact JST for details.
* Compliant with RoHS.

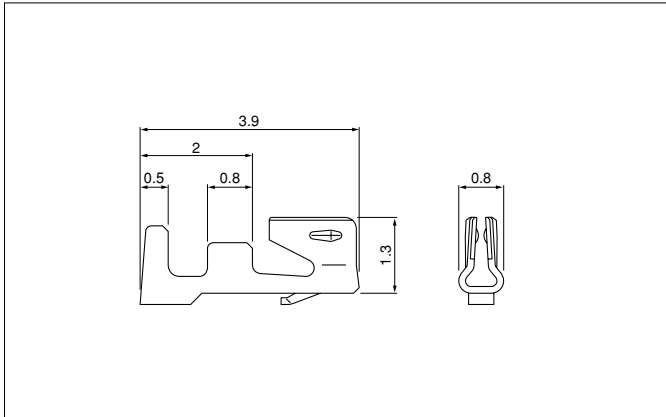
PC board layout and Assembly layout



- Note: 1. The above figure is the figure viewed from the connector mounting side.
2. Tolerances are non-cumulative: ± 0.05 mm for all centers.
3. The dimensions above should serve as a guideline. Contact JST for details.

NSHD CONNECTOR

Contact



Model No.	Applicable wire		Insulation O.D. (mm)	Q'ty/ reel
	mm ²	AWG#		
SNSHD-003T-P0.2	0.032~0.08	32~28	0.4~0.8	23,000

Material and Finish

Copper alloy, tin-plated (reflow treatment)

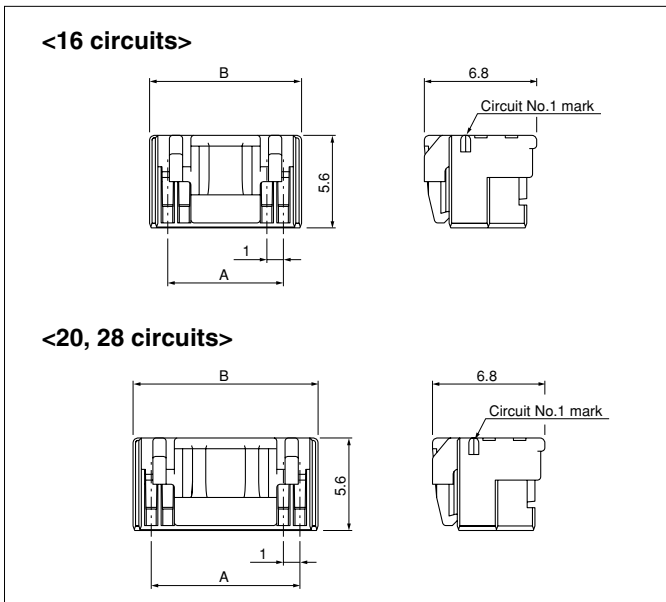
RoHS compliance

Contact	Crimping machine	Applicator		
		Crimp applicator	Dies	Crimp applicator with dies
SNSHD-003T-P0.2	AP-K2N	MKS-L-10-3	MK/SSH/L-003-02	APLMK SSH/L003-02
		*MKS-SC	SC/SSH/L-003-02	APLSC SSH/L003-02

Note: *Strip-crimp applicator

Contact JST for applicable wires in case that it is not usable due to wire size.

Housing



Circuits	Model No.	Dimensions (mm)		Q'ty/ bag
		A	B	
16	NSHDR-16V-Z	7.0	9.2	2,500
20	NSHDR-20V-Z	9.0	11.2	2,000
28	NSHDR-28V-Z	13.0	15.2	1,000

Material

PBT, UL94V-0, ivory

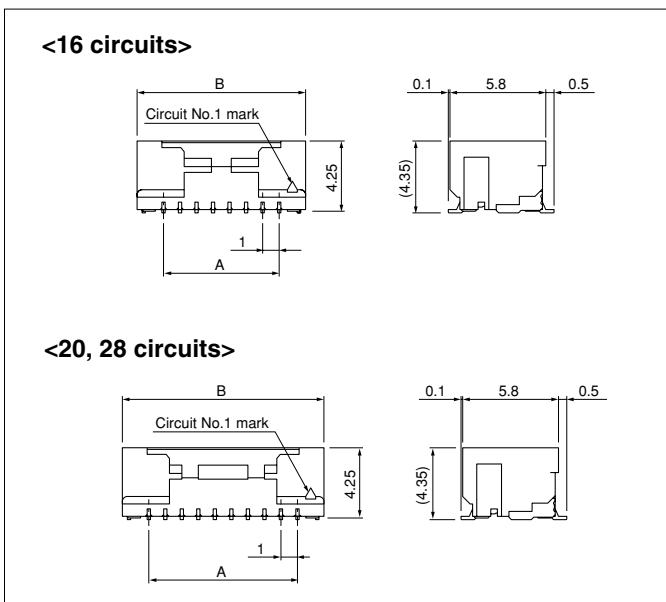
RoHS compliance

<For reference> As the color identification, the following alphabet shall be put in the underlined part. For availability, delivery and minimum order quantity, contact JST.

ex. **NSHDR-16V-Z**

Z...ivory MG...moss green TR...tomato red
DPK...dark pink E...blue

Shrouded header



Circuits	Model No.	Dimensions (mm)			Q'ty/ reel
		A	B	C	
16	BM16B-NSHDZS-TFT	7.0	10.2	8.8	1,600
20	BM20B-NSHDZS-TFT	9.0	12.2	10.8	1,600
28	BM28B-NSHDZS-TFT	13.0	16.2	14.8	1,600

Material and Finish

Contact: Copper alloy, copper-undercoated, tin-plated (reflow treatment)

Header: Polyamide resin, UL94V-0, ivory

Reinforcing tab: Copper alloy, copper-undercoated, tin-plated (reflow treatment)

RoHS compliance

Note: The products listed above are supplied on embossed-tape.

<For reference> As the color identification, the following alphabet shall be put in the underlined part. For availability, delivery and minimum order quantity, contact JST.

ex. **BM16B-NSHDZS-TFT**

Z...ivory MG...moss green TR...tomato red
DPK...dark pink E...blue