



D SUBMINIATURE CONNECTOR KH SERIES

Right angle through-hole socket

RIGHT ANGLE THROUGH-HOLE SOCKET



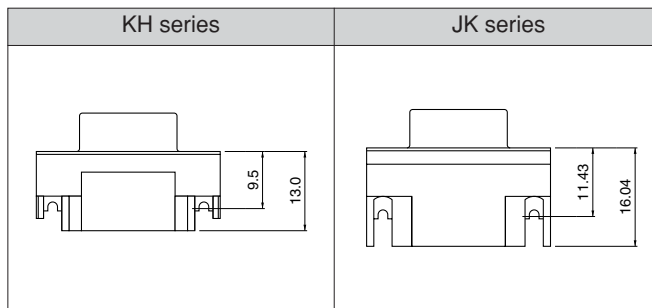
(with hexagonal lock screw blocks)



(without lock screw blocks, but with grounding adapters having a No.4-40UNC inch thread)

Features

- The depth is trimmed to 13.0mm, reducing the surface mounting area by 20% compared with our JK series subminiature connectors.
- * Compliant with RoHS.
- * Refer to "General Instruction and Notice when using Terminals and Connectors" at the end of this catalog.
- * Contact JST for details.



Standards

Recognized E60389

Certified LR20812

Right angle through-hole socket				Type A										
				<p>With hexagonal lock screw blocks(H:6.3mm) having a No.4-40UNC inch thread</p>										
<p>H: Height of the lock screw block (for Types A, B & J)</p> <table border="1"> <thead> <tr> <th rowspan="2">Circuits</th> <th colspan="2">Model No.</th> <th rowspan="2">Q'ty / box</th> </tr> <tr> <th>Gold-plated (flash) receptacle</th> <th>Gold-plated (0.76micron) receptacle</th> </tr> </thead> <tbody> <tr> <td>15</td> <td>KHEY-15S-1A**</td> <td>KHEY-15S-1A**14</td> <td>100</td> </tr> </tbody> </table> <p>RoHS compliance This product displays (LF)(SN) A on a label. Note: ** shows the location where a two-digit code (see the table below for codes) should be entered. For example, if a 15-circuit gold-plated (flash) socket with hexagonal lock screw blocks having a No.4-40UNC inch thread and with grounding adapters having a spring lock device is required, specify the model number as KHEY-15S-1A3A.</p>				Circuits	Model No.		Q'ty / box	Gold-plated (flash) receptacle	Gold-plated (0.76micron) receptacle	15	KHEY-15S-1A**	KHEY-15S-1A**14	100	
Circuits	Model No.		Q'ty / box											
	Gold-plated (flash) receptacle	Gold-plated (0.76micron) receptacle												
15	KHEY-15S-1A**	KHEY-15S-1A**14	100											
<p>With grounding adapters with a spring lock device</p>				<p>3A</p>										

D SUBMINIATURE CONNECTOR KH SERIES

Specifications

Materials

Part name	Material and Finish
Contact	Phosphor bronze, nickel-undercoated, Mating part: gold-plated Solder tail: tin-plated (reflow treatment)
Insulator	Glass-filled PBT, UL94-0, black
Shell	Steel, copper-undercoated, nickel-plated
Grounding adapter with spring lock device	Brass, nickel-undercoated, tin/copper alloy-plated

Characteristics

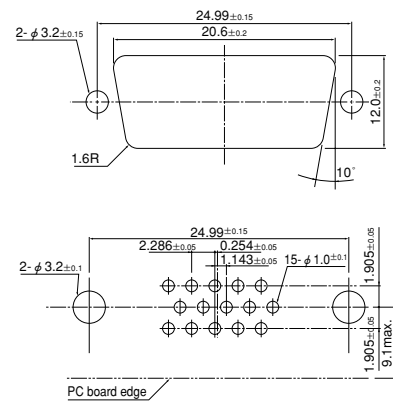
Current rating	1.0A,AC,DC
Voltage rating	250V,AC,DC
Temperature range	-40°C to +85°C (including temperature rise in applying electrical current)
Contact resistance	Initial value/15mΩ max. After environmental testing/30mΩ max.
Insulation resistance	5,000MΩ min.
Withstanding voltage	AC1,000V/minute
Applicable PC board thickness	1.6mm

*Contact JST for details.

Model number identification

K H E Y - 15 S - 1 A 3 A 14	
• Series name	K H E
• Shell size: E	E
• Wire connection type: Y ... Right angle through-hole type	Y
• Number of circuits: 15	15
• Connector type: S ... Socket	S
• Connector construction/dimensions: Standard KH series right angle through-hole type	-
• Types of grounding adapter: 3 ... With grounding adapters having a spring lock device	3
• Type of lock screw block:	
A ... With hexagonal lock screw blocks having a No. 4-40UNC inch thread	
B ... With hexagonal lock screw blocks having an M2.6 thread	
F ... Without lock screw blocks, but with grounding adapters having a No. 4-40UNC inch thread	
G ... Without lock screw blocks, but with grounding adapters having an M2.6 thread	
H ... Without lock screw blocks, but with grounding adapters having an M3 thread	
J ... With hexagonal lock screw blocks having an M3 thread	
• Finish of mating part	
Blank ... Gold-plated (flash)	12 ... 0.2micron gold-plated
13 ... 0.4micron gold-plated	14 ... 0.76micron gold-plated

PC board layout (viewed from component side) and Panel layout



Note: 1. Tolerances are non-cumulative: ±0.05mm for all centers.

2. Hole dimensions differ according to the kind of PC board and piercing method. The dimensions above should serve as a guideline. Contact JST for details.

Type B	Type D	Type F	Type G	Type H
With hexagonal lock screw blocks(H:6.3mm) having an M2.6 thread	Without lock screw blocks F, G, H: Grounding adapters have a thread (*1) for securing separately-purchased lock screw blocks (*2)			With hexagonal lock screw blocks(H:6.3mm) having an M3 thread
	*1: No.4-40UNC inch thread *2: Model number HFS-4S-()1W(M)	*1: M2.6 thread *2: Model number HFS-2.6S-()1W(M)	*1: M3 thread *2: Model number HFS-3S-()1W(M)	
3B	3F	3G	3H	3J




D SUBMINIATURE CONNECTOR J·JH·JK & KH SERIES

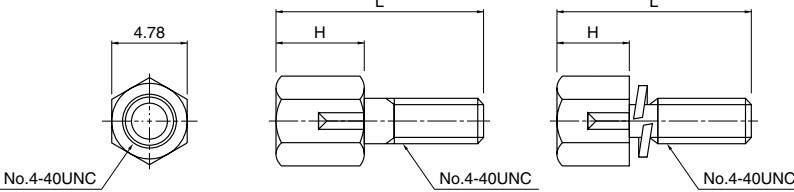
Accessories/Lock screw block

A variety of accessories are available for the D subminiature connectors.

LOCK SCREW BLOCK




**Hexagonal lock screw block
(inch thread: No.4-40UNC)**



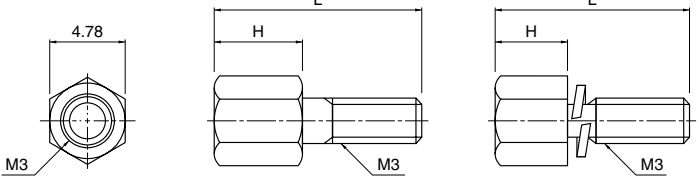
Type A Type B

Applicable series	J series right angle through-hole type JK series straight through-hole type	JK series right angle through-hole type	J series straight through-hole type	JH series right angle through-hole type KH series right angle through-hole type	Dimension H (mm)	Type	Attachment	Q'ty / box
Dimension L (mm)	13.1	15.0	10.0	11.8				
Model No.	JFS-4S-C1N	KFS-4S-C1N	—	—	5.5	A	Spring washer .. 1 pc. Nut 1 pc.	2,000
	JFS-4S-B1W	KFS-4S-B1W	SFS-4S-B1W	HFS-4S-B1W	4.8		Spring washer .. 1 pc.	
	JFS-4S-C1W	KFS-4S-C1W	SFS-4S-C1W	—	5.5	B	Hexagonal lock screw & spring washer are integrated	
	JFS-4S-B1WM	KFS-4S-B1WM	SFS-4S-B1WM	HFS-4S-B1WM	4.8			
	JFS-4S-C1WM	KFS-4S-C1WM	SFS-4S-C1WM	HFS-4S-C1WM	5.5			

RoHS compliance



**Hexagonal lock screw block
(metric thread: M3)**

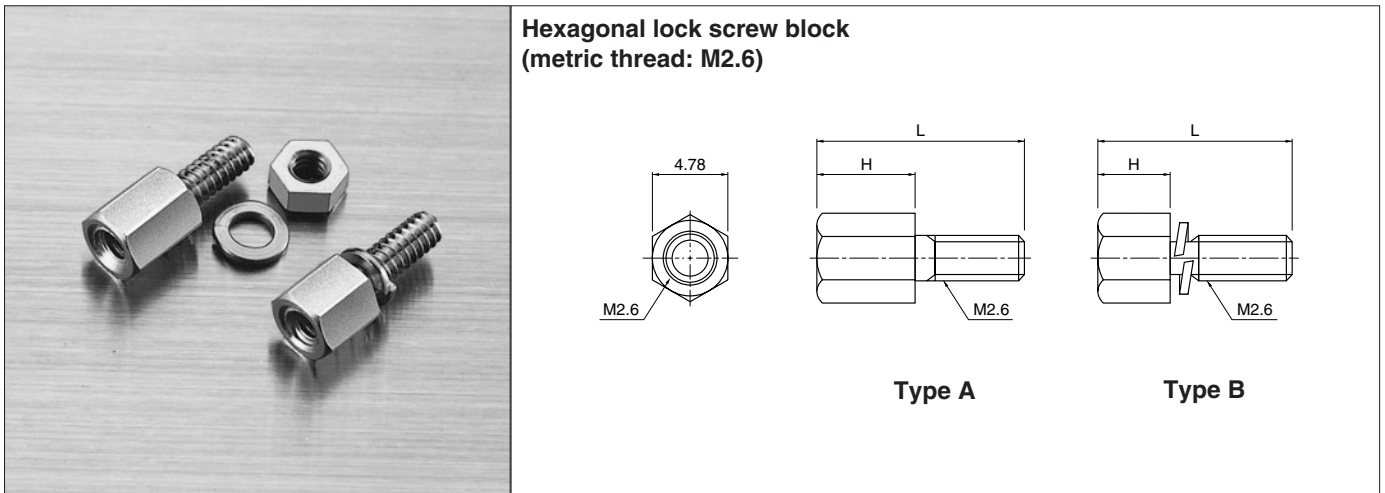


Type A Type B

Applicable series	J series right angle through-hole type JK series straight through-hole type	JK series right angle through-hole type	J series straight through-hole type	JH series right angle through-hole type KH series right angle through-hole type	Dimension H (mm)	Type	Attachment	Q'ty / box
Dimension L (mm)	13.1	15.0	10.0	11.8				
Model No.	JFS-3S-C1N	KFS-3S-C1N	—	—	5.5	A	Spring washer .. 1 pc. Nut 1 pc.	2,000
	JFS-3S-B1W	—	SFS-3S-B1W	—	4.8		Spring washer .. 1 pc.	
	—	KFS-3S-C1W	SFS-3S-C1W	HFS-3S-C1W	5.5	B	Hexagonal lock screw & spring washer are integrated	
	—	—	SFS-3S-B1WM	HFS-3S-B1WM	4.8			
	JFS-3S-C1WM	KFS-3S-C1WM	SFS-3S-C1WM	HFS-3S-C1WM	5.5			

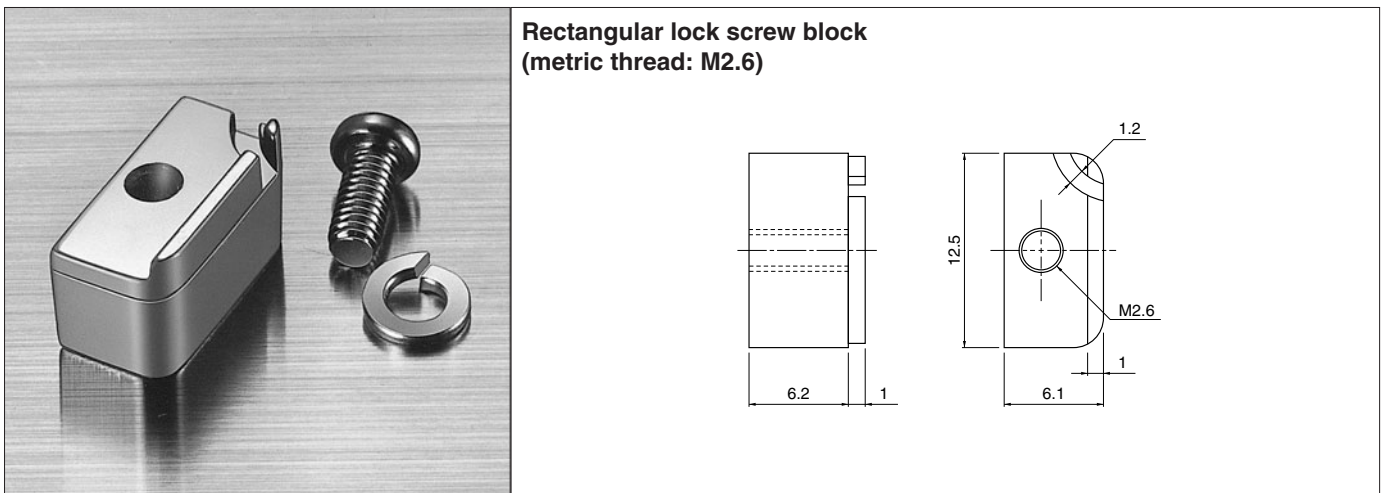
RoHS compliance

D SUBMINIATURE CONNECTOR J·JH·JK & KH SERIES



Applicable series	J series right angle through-hole type JK series straight through-hole type	JK series right angle through-hole type	J series straight through-hole type	JH series right angle through-hole type KH series right angle through-hole type	Dimension H (mm)	Type	Attachment	Q'ty / box
Dimension L (mm)	13.1	15.0	10.0	11.8				
Model No.	JFS-2.6S-C1N	KFS-2.6S-C1N	—	—	5.5	A	Spring washer .. 1 pc. Nut 1 pc.	2,000
	JFS-2.6S-B1W	KFS-2.6S-B1W	SFS-2.6S-B1W	HFS-2.6S-B1W	4.8		Spring washer .. 1 pc.	
	—	KFS-2.6S-C1W	SFS-2.6S-C1W	HFS-2.6S-C1W	5.5			
	JFS-2.6S-B1WM	KFS-2.6S-B1WM	SFS-2.6S-B1WM	HFS-2.6S-B1WM	4.8	B	Hexagonal lock screw & spring washer are integrated	
	JFS-2.6S-C1WM	KFS-2.6S-C1WM	SFS-2.6S-C1WM	HFS-2.6S-C1WM	5.5			

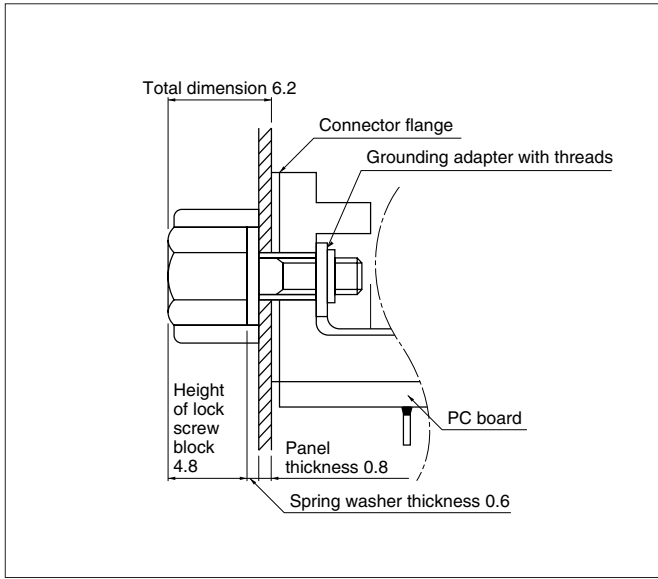
RoHS compliance



Model No.	Attachment	Q'ty / box
JFS-2.6R-N	Spring washer – 1 pc. Set screw – 1 pc.	1,000

RoHS compliance

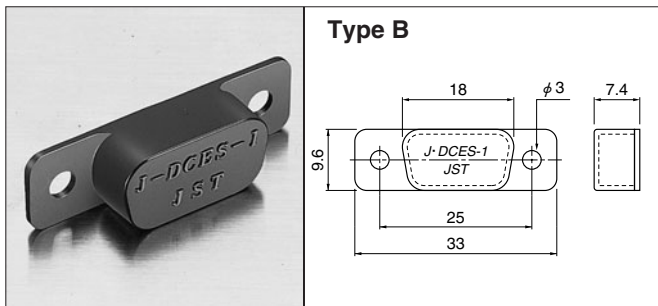
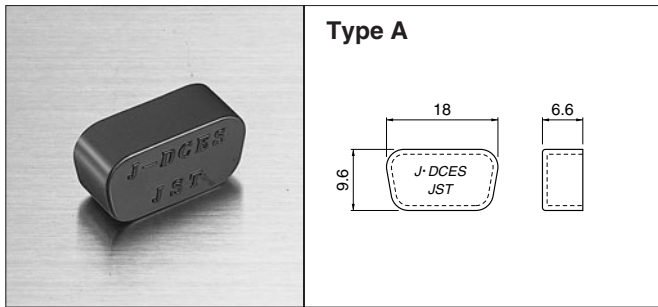
D SUBMINIATURE CONNECTOR J·JH·JK&KH SERIES



Application examples of hexagonal lock screw blocks

- The resulting total dimension from the connector flange to the top of the hexagonal lock screw block must be 6.2mm after assembly.
- The D subminiature connector can be installed on the Panel by simply tightening the hexagonal lock screw block together with grounding adapter, which has an identical thread to that of the F, G, and H types.

DUST COVER (for receptacles)



Type	Circuits		Model No.	Q'ty / box
	J series	JK series		
A	9	15	J-DCES	1,000
B			J-DCES-1	
Material				
PA, UL94V-0, black				

RoHS compliance

EXTRACTION TOOL



With this tool, contacts (connected to wires by crimping) can be easily removed if they are improperly inserted into plug and receptacle housings.

Applicable Connector		Model No.
J series		DEJ-0.3
JK series	Plug	KEJ-0.7
	Receptacle	KEJ-0.4