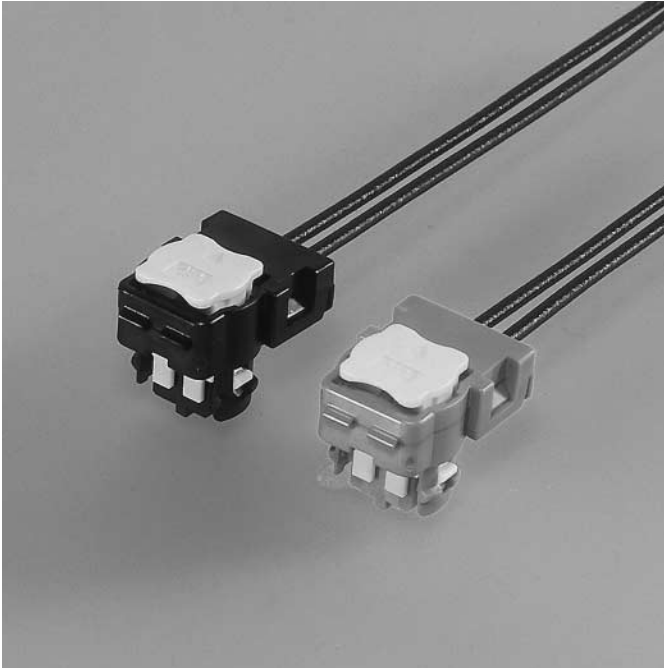


SQM CONNECTOR

Squib connectors



This connector for air-bag has intelligent CPA, which allows locking the connector, incomplete mating detection and release of short-circuit at the same time.

Features

● Compact design

This connector is approximately 13mm smaller than the SQS connector in total length (31.3mm→18mm).

● Mating

Intelligent CPA adopted. It enables the connector to be locked securely and prevents incomplete mating on the assembly line resulting in improved connector retention force.

● Terminal construction

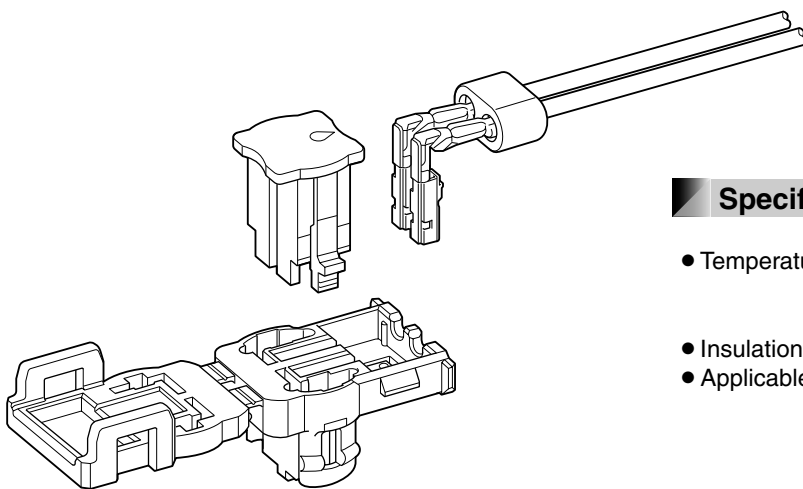
It is designed to prevent the deformation of the contact part when processing wire harness by protecting the contact part of each terminal with a box.

● Scooping (kojiri) preventive construction

Using a shunt ring with a countermeasure for scooping (kojiri), the resistance to scooping (kojiri) insertion and withdrawal is improved.

● Noise suppression

Ferrite core provides simple and reliable noise suppression characteristics.

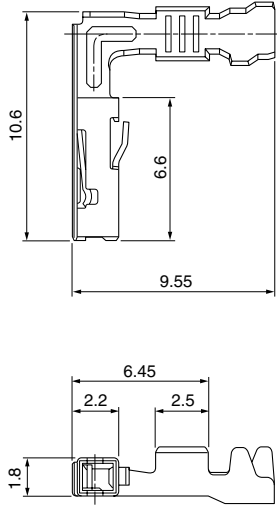


Specifications

- Temperature range: -30°C to +80°C
(including temperature rise in applying electrical current)
- Insulation resistance: 100 MΩ min.
- Applicable wire: 0.3 mm² to 0.5 mm²

- * Compliant with ELV/RoHS.
- * Contact JST for details.

Female terminal



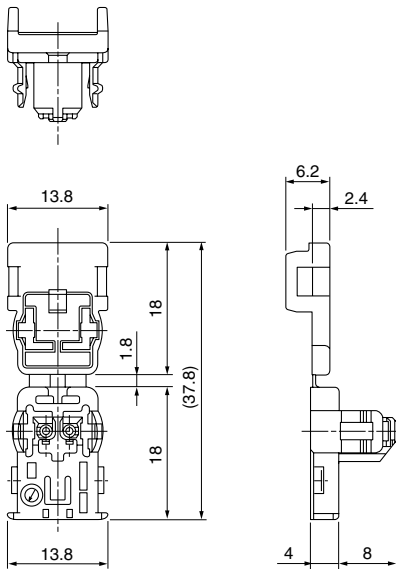
Model No.	Applicable wire range		Q'ty/reel
	Conductor (mm ²)	Insulation O.D. (mm)	
SQS-A03GF-P-P	0.3 to 0.5	1.0 to 1.6	6,500
SQS-A03GI-P-P	0.3 to 0.5	1.0 to 1.6	6,500

Material and Finish

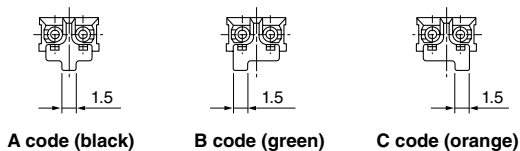
GF: Copper alloy, nickel-undercoated,
Contact area; gold-plated (0.4 μm min.)

GI: Copper alloy, nickel-undercoated,
Contact area; gold-plated (0.8 μm min.)

Female housing



• Keying figure



Circuits	Model No.	Key figure	Q'ty/box	Color
2	SQMR-02H-1A-K	A code	1,500	Black
	SQMR-02H-2A-LP	A code	1,500	Purple
	SQMR-02H-1B-M	B code	1,500	Green
	SQMR-02H-1C-D	C code	1,500	Orange

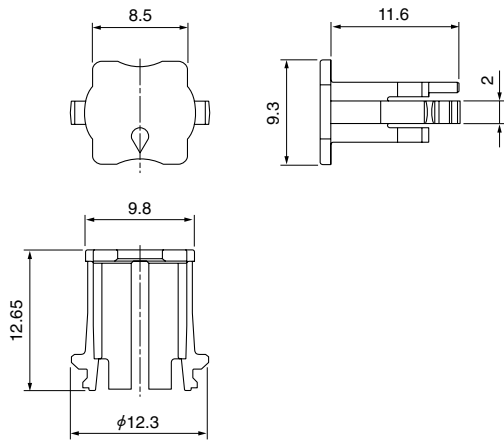
Material

PBT

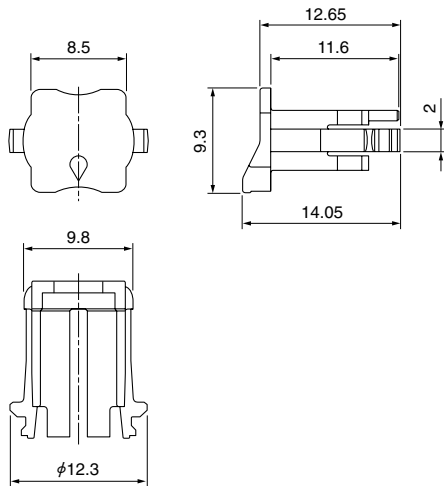
SQM CONNECTOR

CPA housing

• SQSC-02H-1A-Y

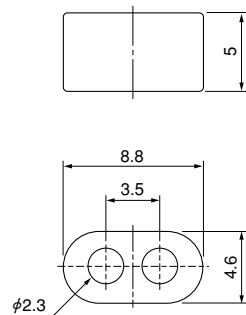


• SQSC-02H-2A-Y



Circuits	Model No.	Q ty/box	Color
2	SQSC-02H-1A-Y	2,000	Yellow
	SQSC-02H-2A-Y	2,000	Yellow
Material			
Glass-filled PBT			

Ferrite



Circuits	Model No.	Q ty/box
2	SQMF-02-1A	3,000

Crimping machine, Applicator

Strip terminal	Crimping machine	Crimp applicator MKS-L	
		Dies	Crimp applicator with dies
SQS-A03GF-P-P	AP-K2N	MK/SQS-A03-P	APLMK SQS-A03-P
SQS-A03GI-P-P			

Note: When crimping operation is conducted using an applicator and die set other than the above, JST cannot guarantee the performance of the terminal.