

D SUBMINIATURE CONNECTOR KS SERIES

Right angle SMT configuration socket

D-sub KS

RIGHT ANGLE SMT CONFIGURATION SOCKET



(off-set type)



(normal type)

Features

- Reduces the usage of PCB space thanks to thin design.
 - As this is of SMT configuration, components can be mounted on the other side of the PC board.
 - Positioning bosses assure secure mounting on the PC board.
 - Heat resistant resin is used for the insulator, thus applicable to various reflow soldering processes.
 - Single-row solder tails.
 - Ferrite mounted type is under planning.
- * Compliant with RoHS.
 * Refer to "General Instruction and Notice when using Terminals and Connectors" at the end of this catalog.
 * Contact JST for details.

Specifications

Materials

Part name	Material and Finish
Contact	Phosphor bronze, nickel-undercoated, Mating part: gold-plated Solder tail: tin-plated (reflow treatment)
Insulator	Glass-filled PPS, UL94V-0, black
Shell	Steel, copper-undercoated, nickel-plated
Metal fixture	Copper alloy, 1A3F: copper-undercoated, nickel-plated Copper alloy, 3B6L: copper-undercoated, tin/copper alloy-plated

Characteristics

Current rating	1.0A, AC, DC
Voltage rating	125V AC, DC
Temperature range	-40°C to +85°C (including temperature rise in applying electrical current)
Contact resistance	Initial value/20mΩ max. After environmental testing/30mΩ max.
Insulation resistance	500MΩ min.
Withstanding voltage	500V AC/minute

Note: Contact JST for details

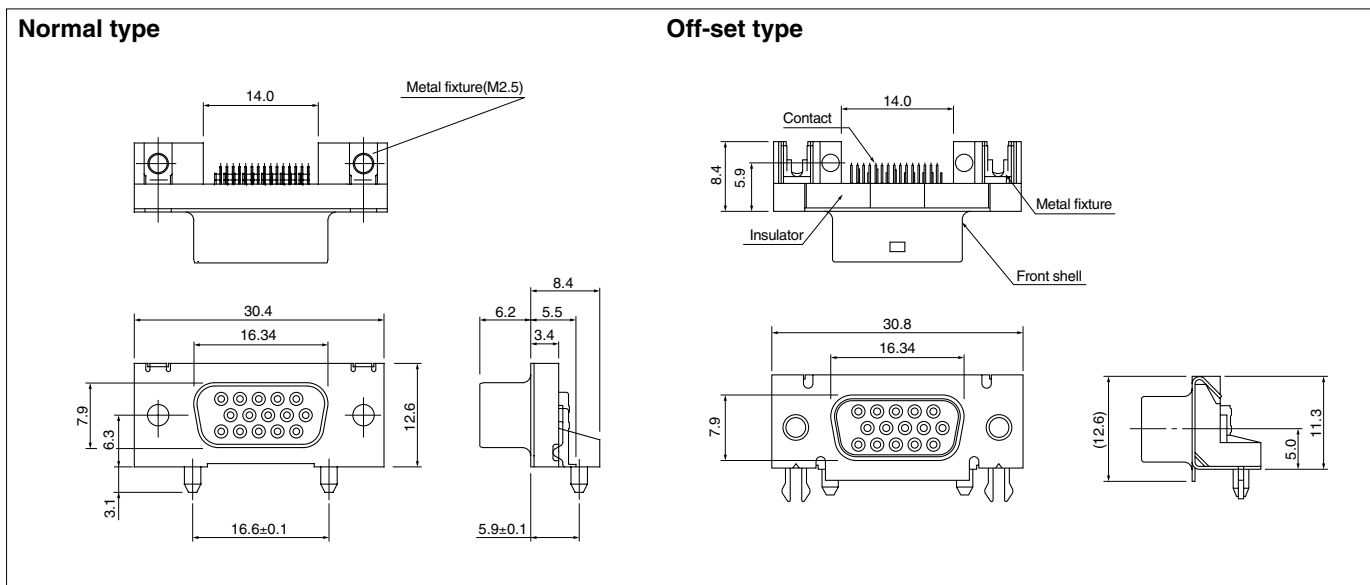
Model number identification

Contact KS E Y — 15 S — 1A 3F 19 — 13

- Series name
- Shell size: E
- Right angle through hole type: Y
- No. of circuits: 15
- Connector type S: Socket
- Connector construction/dimensions
 - 1A ... Integrated L-shaped insulator(standerd), with L-shaped 0.9mm long solder tails
 - 3B ... Integrated L-shaped insulator(1.3mm off -set), with L-shaped 0.7mm long solder tails
- Kind of lock screw blocks:
 - 3F ... • With metal fixtures having an M2.5 thread
 - Without lock screw blocks, but with a No.4-40UNC thread
 - 6L ... • Without grounding adapters with a spring lock device
 - Without lock screw blocks, but with a No.4-40UNC thread
- Finish of mating part
 - 10 ... Gold-plated (flash)
 - 19 ... 0.76micron gold-plated

D SUBMINIATURE CONNECTOR KS SERIES

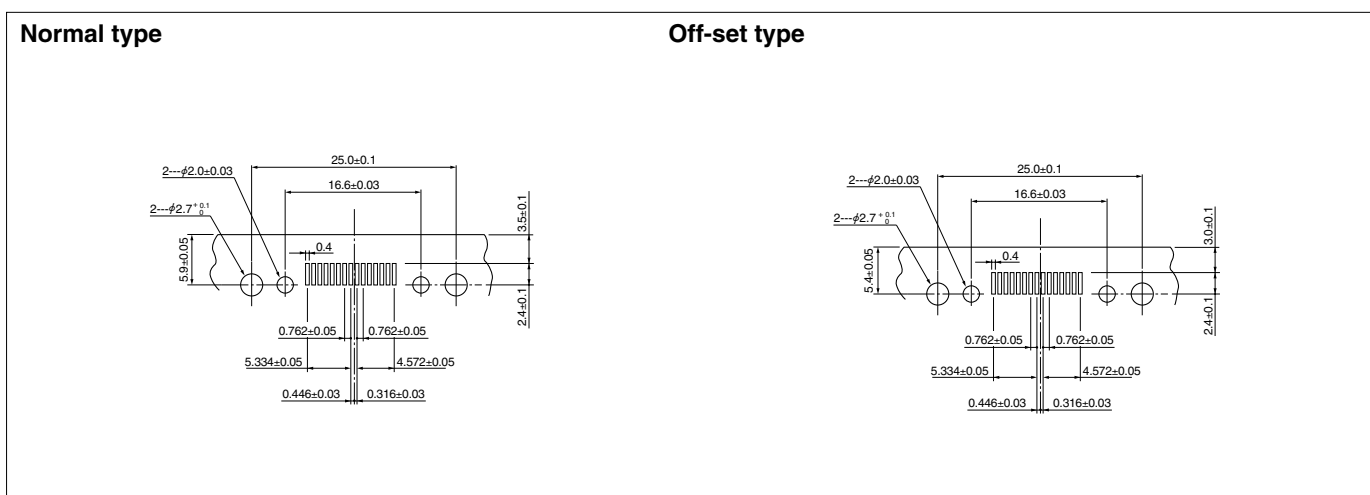
Right angle SMT configuration socket



Type	Circuits	Model No.	Q'ty / box
Normal	15	KSEY-15S-1A3F19-13	150
Off-set	15	KSEY-15S-3B6L19-13	150

RoHS compliance This product displays (LF)(SN) on a label.

PC board layout (viewed from component side)



Note: 1. Tolerances are non-cumulative: $\pm 0.03\text{mm}$ for all centers.
2. The dimensions above should serve as a guideline. Contact JST for details.