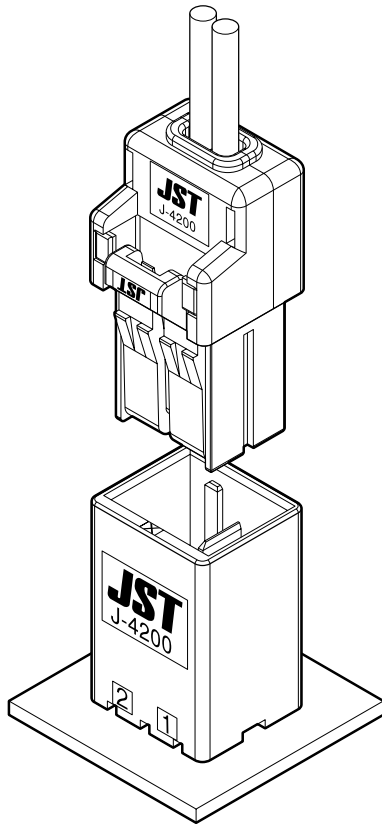




JFA CONNECTOR J4000 SERIES PROTECTOR

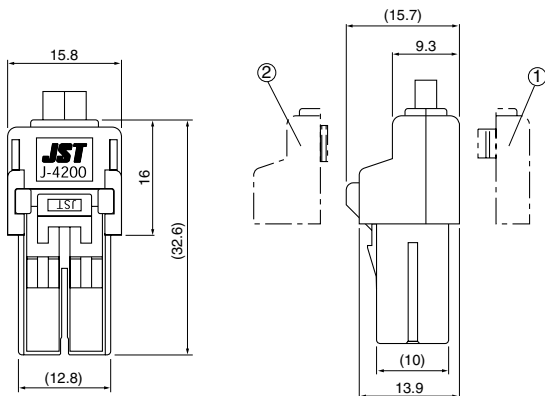


When applying a current to the connector, the protector prevents foreign substances being inserted into mating part from the wiring side. However it has no function of holding the wire securely.

Note: Protector is not approved by UL/CSA/TÜV standards.

J4000 Series

• J4200 series for 2 circuits



No.	Model No.	Color	Q'ty / box
1	J42PF-02SCA	Transparent	420
2	J42PF-02SCB	Transparent	252

Material

Polycarbonate

RoHS compliance