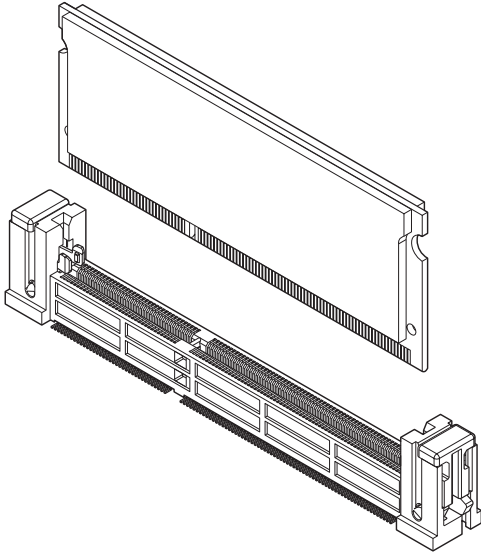




DIM CONNECTOR

0.6mm pitch/Socket for DDR/DDR3 S.O.DIMM



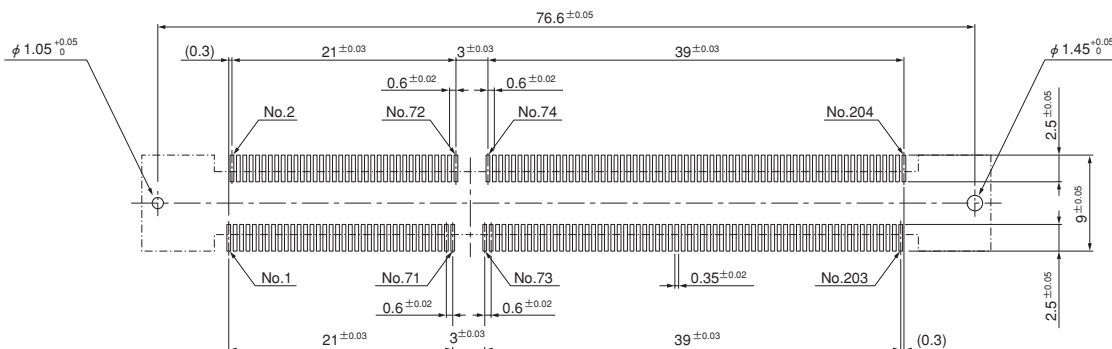
Socket for DDR/DDR3 S.O.DIMM 204-circuit complying with JEDEC (MO-268). Hold the PC board by the mechanism for preventing to come off the PC board. Mechanism for preventing incomplete mating to check by visual from upper, and right and left is provided.

- Mechanism for preventing to come off the PC board
- Mechanism for preventing incomplete mating
- Complying with JEDEC (MO-268)

Specifications

- Current rating: 0.3 A AC, DC
 - Voltage rating: 25 V AC, DC
 - Temperature range: -25°C to +85°C
(including temperature rise in applying electrical current)
 - Insulation resistance: 250 MΩ min.
 - Withstanding voltage: 250 VAC/minute
- * Refer to "General Instruction and Notice when using Terminals and Connectors" at the end of this catalog.
* Contact JST for details.
* Compliant with RoHS.

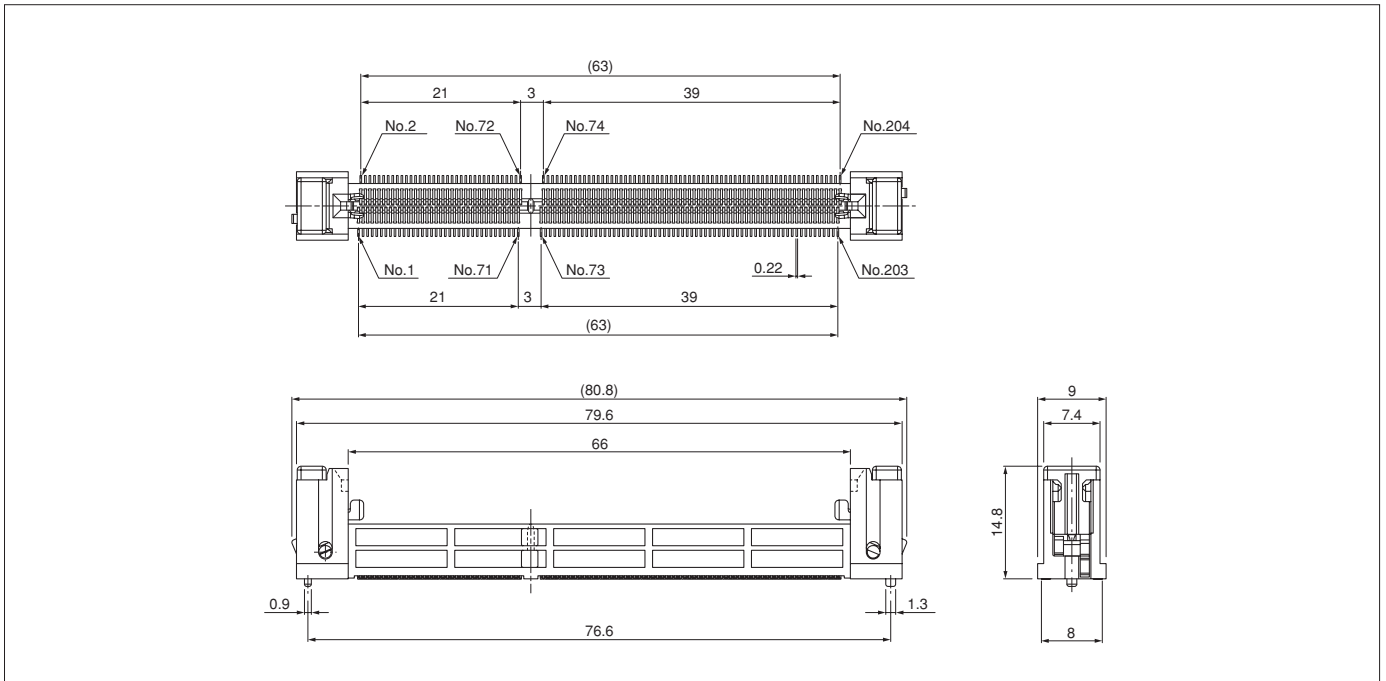
PC board layout



Note: 1. The above figure is the figure viewed from the connector mounting side.
2. Tolerances are non-cumulative: ± 0.02 mm for all centers.
The dimensions above should serve as a guideline. Contact JST for details.

DIM CONNECTOR

Connector



Model No.	Material and Finish	Q'ty/box
DM-204SB-K2330-E	Contact: Copper alloy, nickel-undercoated, selective gold-plated Socket housing: Heat resisting resin, UL94V-0, black Rotation guide housing: Heat resisting resin, UL94V-0, natural Retention guide housing: Heat resisting resin, UL94V-0, blue	210

RoHS compliance

Applicable module PC board

